



Glass Wall Technical Specifications

<https://www.winecellarinnovations.com/ideas/popular-ideas/Glass-Enclosed-Wine-Cellars>

- 1/2" tempered glass
 - Available in Clear (our standard) and Optiwhite. Optiwhite also known as Low Iron is the clearest glass. It does not contain any green hue. ***There is an upcharge for Optiwhite so please specify if you want this option when turning a design request.***

Optiwhite (Low Iron) \ Clear



- Can be etched just like our entry doors. Since this is one solid piece of glass the etching will be felt on the inside of the cellar.

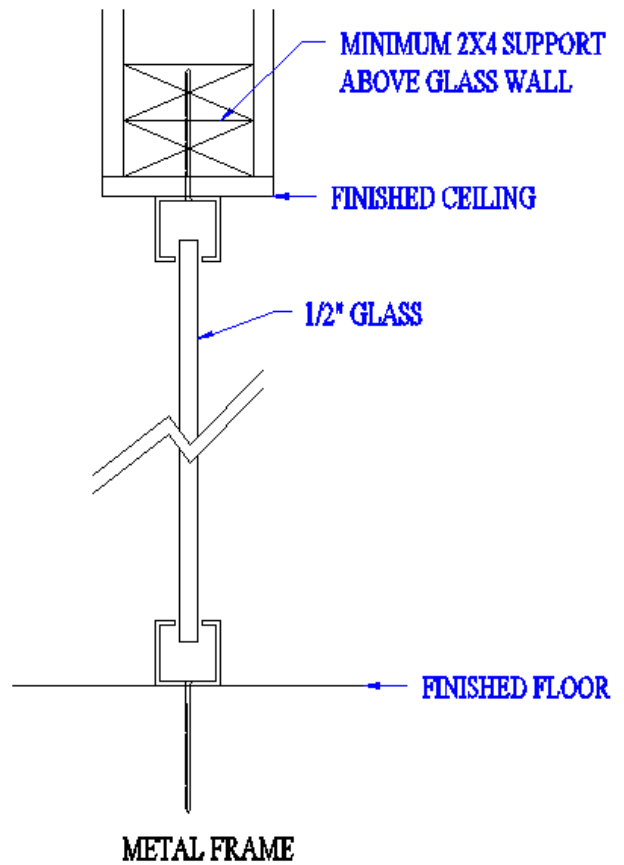
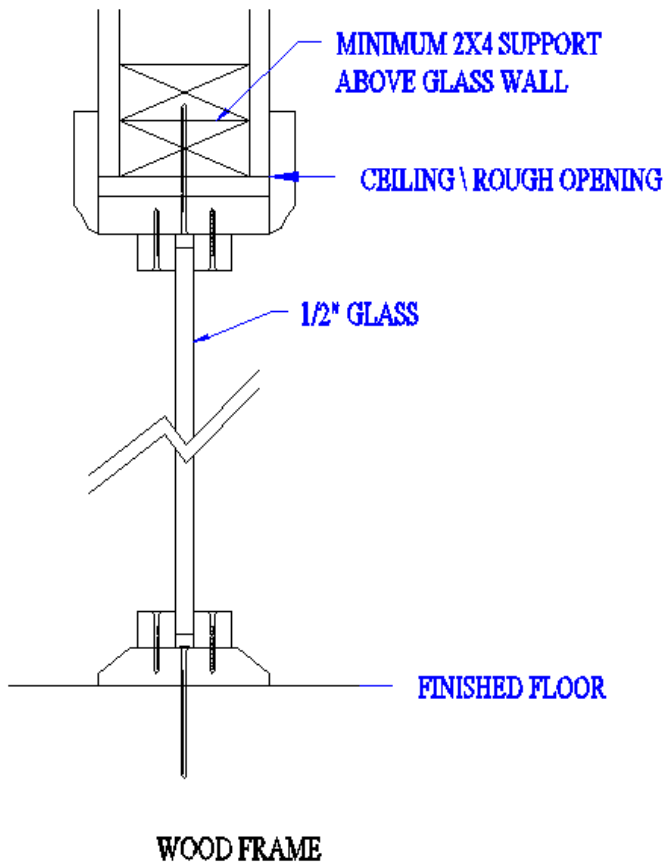




- Maximum glass height is 120"
- All seams filled with silicone except around doors
- Door(s)
 - Maximum door size is 42" x 102".
 - Doors must be locked with a key to keep door(s) closed and to ensure a proper seal
 - If door(s) are not locked the pressure inside the cellar can push the door open.
 - French doors will have (1) floor lock and (1) handle height lock unless noted otherwise
 - Door seals on sides, top & bottom
 - Doors do NOT close automatically
 - **NEW!!!** We now offer a Self-Closing Hinge. *There is an upcharge for this so please specify if you want this option when turning a design request.*
 - Adjustment screws to adjust the latching speed and the swing speed



- Frame Material (Wood or Metal)
 - Wood Frame
 - Normally match racking wood type, stain and lacquer unless noted otherwise
 - Wood frame can have arched tops
 - Installs similar to a entry door. Has a jamb and threshold.
 - Metal Frame
 - 4 color options (see below)
 - Does not have a threshold





Wood Frame Example





Metal Frame Example





- Hardware color options
 - Available in Brushed Stainless, Polished Stainless & Oil Rubbed Bronze

Brushed Stainless





Polished Stainless (chrome \ mirror finish)





Oil Rubbed Bronze Color varies from black to brown. Very inconsistent. We cannot guarantee what color each component will be. In the pic below most components look almost black except the top two.

