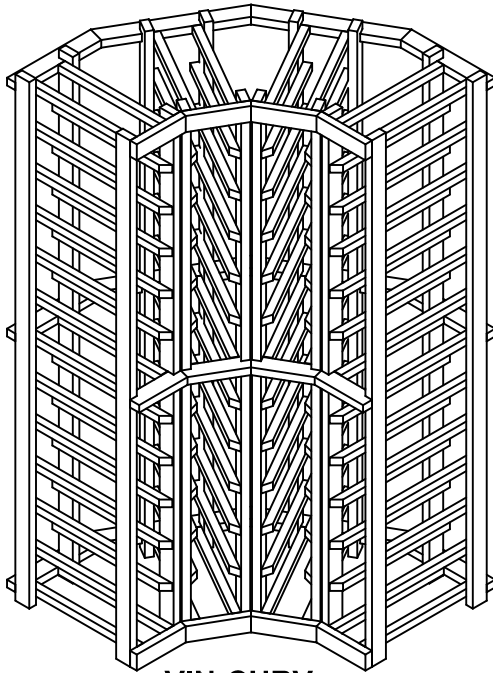


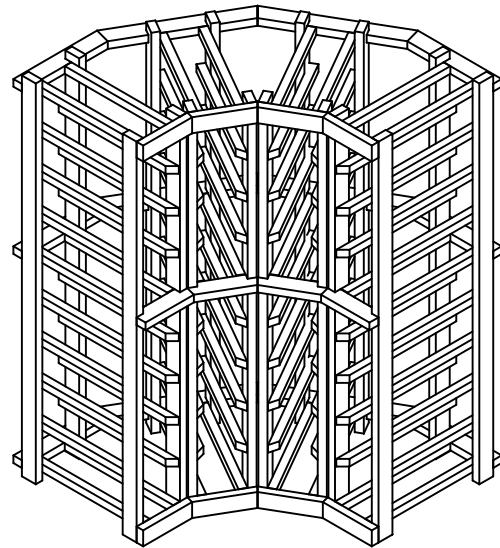
# Vintner Series

Rev: 6/13/08

## Curved Corner

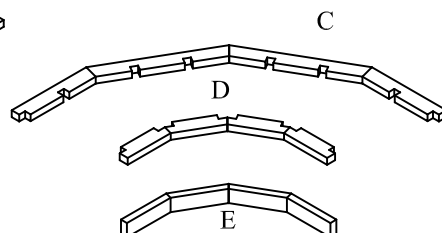
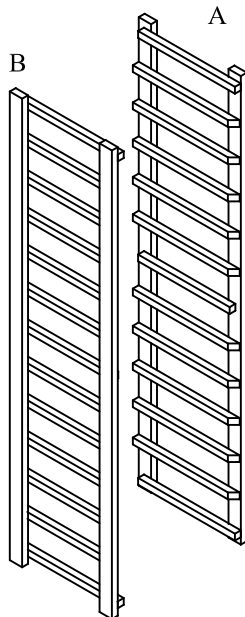


**VIN-CURV**



**VIN3-CURV**

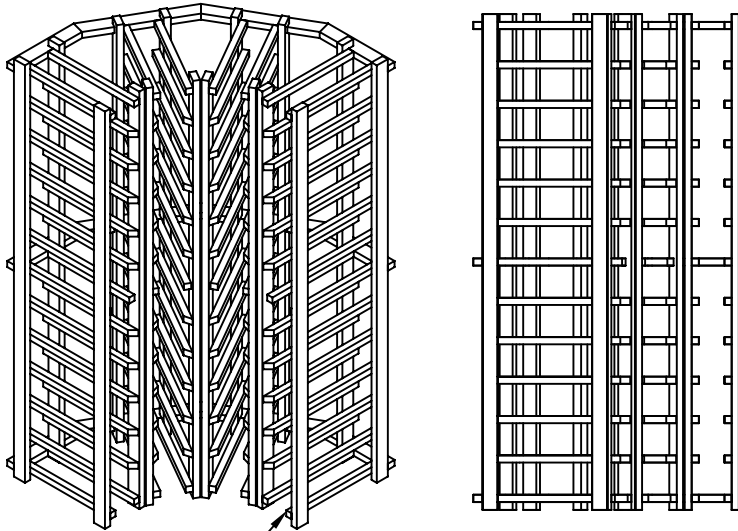
Note: The VIN-CURV is detailed in this manual however the assembly procedure for VIN-CURV and VIN3-CURV kit is the same.



### Parts List

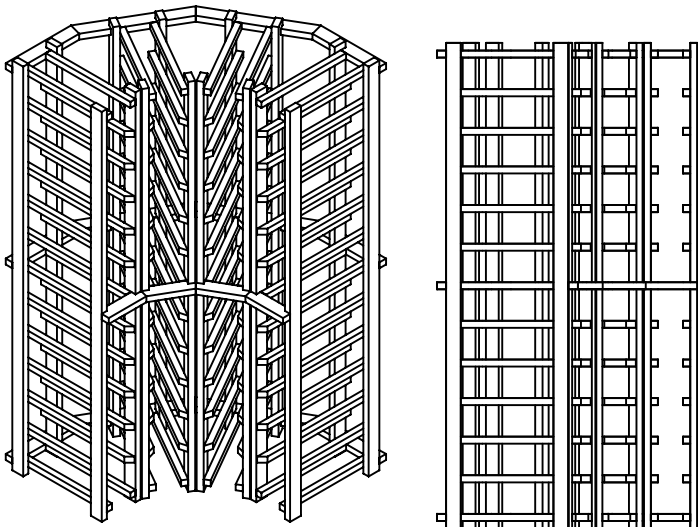
#	qty.	description
A	4	Right Racks
B	4	Left Racks
C	3	Back Spacer Bars
D	1	Front Spacer bar
E	2	Top/ Bottom Trim
*	1	Bag of nails
*	1	Hardware Pack containing 2 1" Corner Brace 2 plastic anchors 2 1" #8 screws 2 5/8" #6 screws

1. Attach (3) spacer bars to the back of the racks with nails.  
This can be done with the provided nails or with a brad nailer.

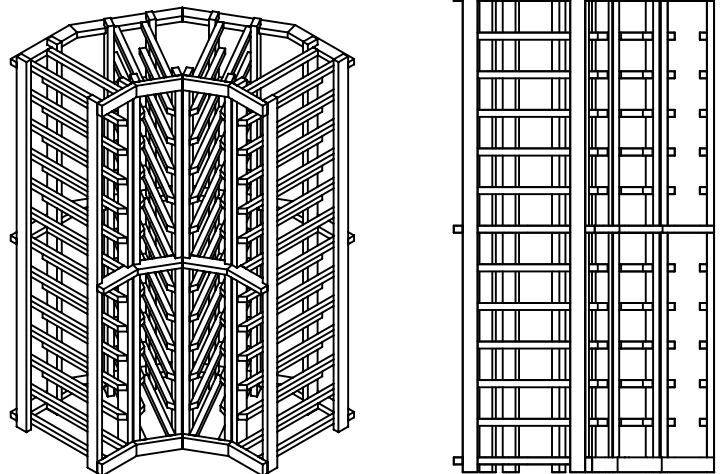


bottom and top rails  
are not recessed on front  
of rack

2. Attach a spacer bar to the front of the racks.

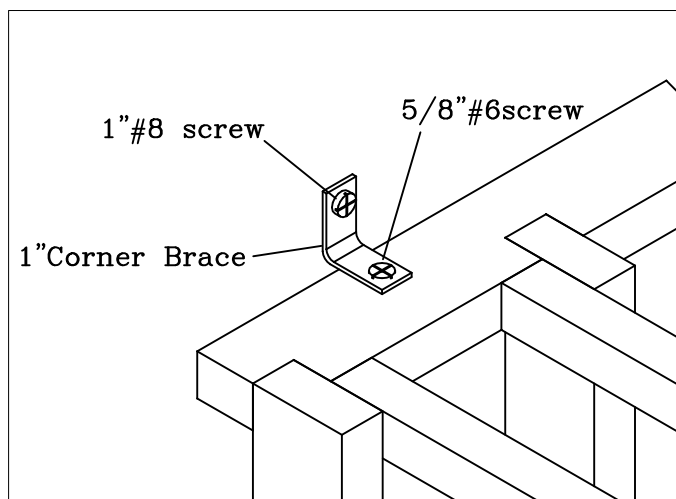


3. Attach top trim to front of racks with nails provided. If unit is not going to be stacked on top of another kit then attach bottom trim as well. If unit is going to be stacked on top of another kit then follow the trim kit instructions before attaching the bottom trim board.



# Final Step

## Securing to wall



Note: due to ceiling height restrictions it may be necessary to attach Corner brace on under side of Spacer bar.

Secure rack to wall by attaching 1" corner brace to top back spacer bar (or solid top) of unit. You will have 1 brace on the left and 1 on the right.

If you are securing a kit that is stacked on top of another unit follow the instructions for installing trim kit before attaching to wall.

Attach the corner braces to one of the middle spacer bars, if you have a bin unit or diamond cube unit that will have other racks stacked on top of it.