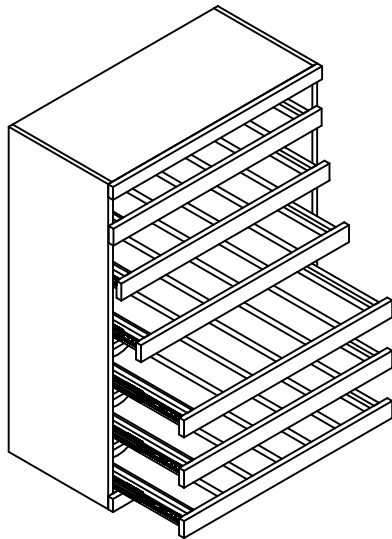


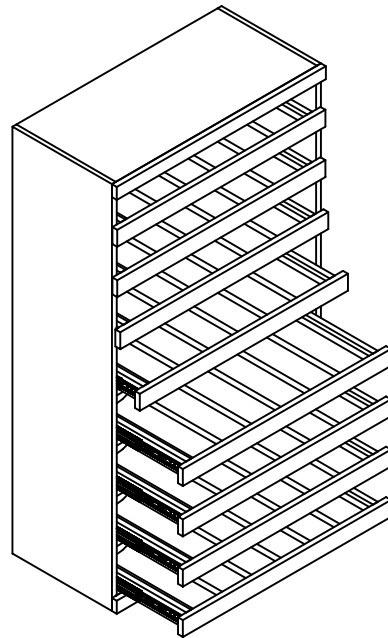
Vintner Series

New 4/23/15

Pull-Out Bottle Cradle

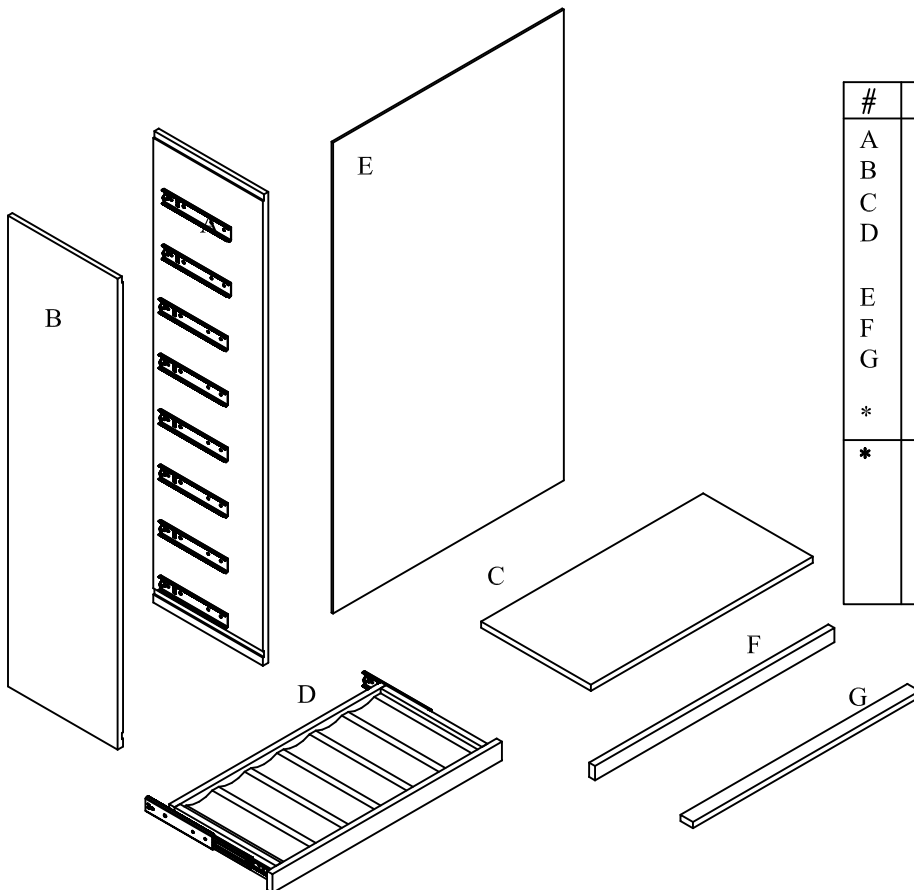


VIN3-**-**-POCRADLE



VIN-**-**-POCRADLE

NOTE : 4ft Pull-out Drawer shown throughout the manual.



Parts List

#	qty.	description
A	1	Right Rack
B	1	Left Rack
C	2	Top/Bottom
D	8	Shelves (4ft Kit)
	6	Shelves (3ft Kit)
E	1	Back
F	2	Top/ Bottom Trim
G	2	Stackable Beam Supports
	12	1 5/8" #6 Screws
*	1	Bag of nails
*	1	Hardware Pack containing 2 1" Corner Brace 2 plastic anchors 2 1" #8 screws 2 5/8" #6 screws

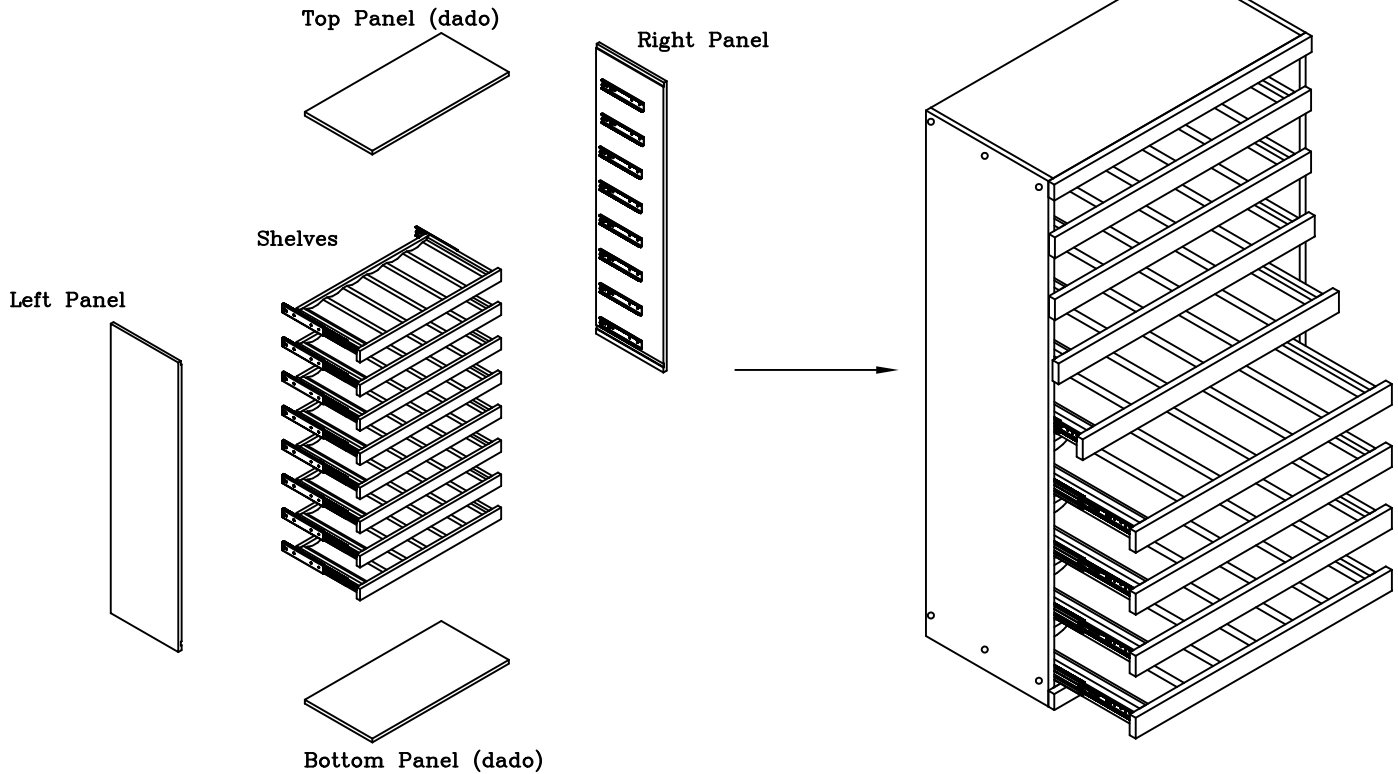
Wine Cellar Innovations
4575 Eastern Avenue
Cincinnati, Ohio 45226

Phone: (800) 229-9813
Fax: (513) 979-5280
www.winecellarinnovations.com

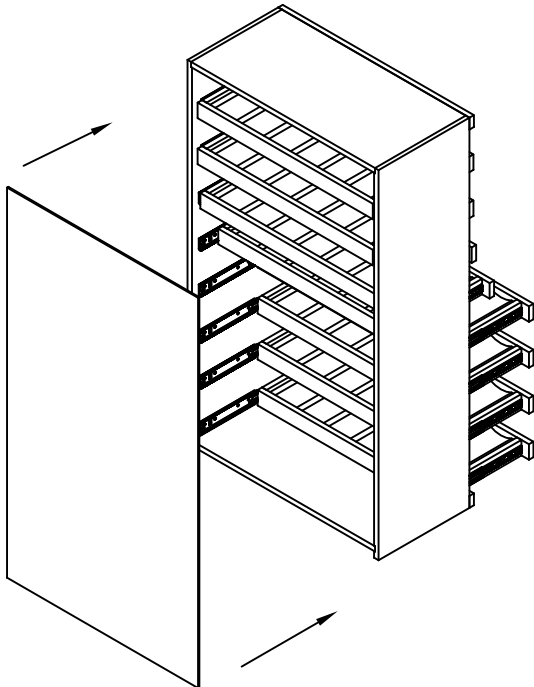
1. Prepare the Left(A), Right(B), and Top and Bottom (C) Panels together with the Shelves (D). Place the Bottom Panel on the Groove located below the Left/Right Panels. Then Lock the Shelf Hardware with the hardware pre-installed on the Left and Right Panels. After that, secure the Top Panel to the Grooves of the Side Panels. Use 1 5/8" #6 Screws to secure rack.

NOTE :

USE 8 SHELVES ON 4FT KIT RACK AND 6 SHELVES ON 3FT KIT RACK



2. Attach Plywood Back (E) with nails.



3. Attach Top and Bottom Trims with nails.

Note : If the Kit is to be stacked with another kit, follow trim kit instructions before attaching the second bottom trim piece. If not then attach the second bottom trim piece with nails.

