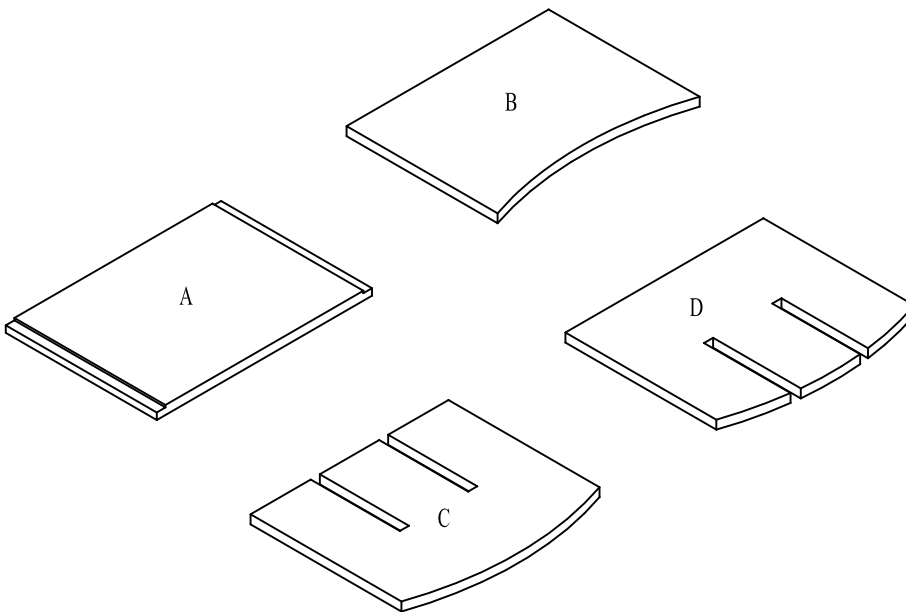
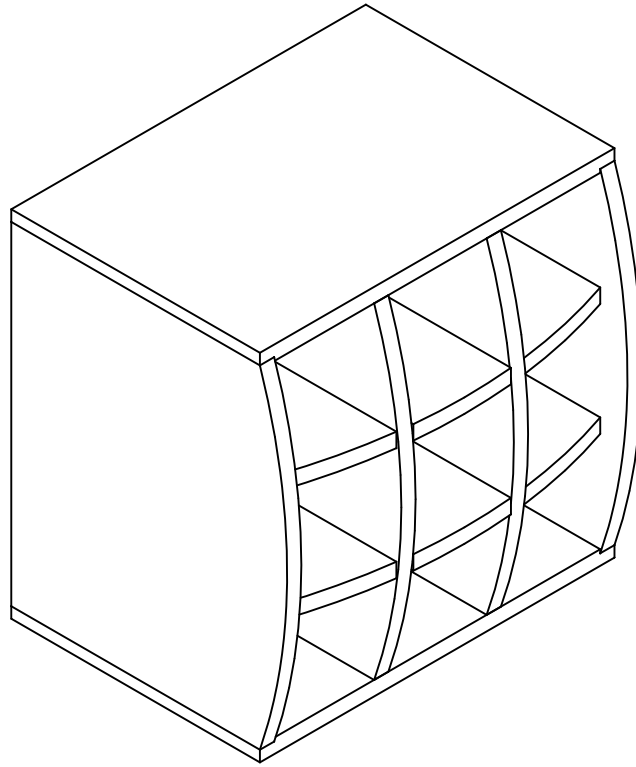


Convex Curved Individual Cube



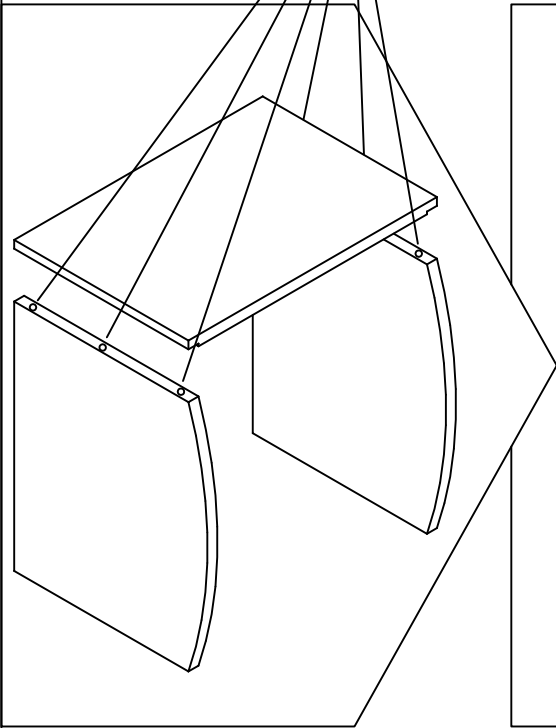
Parts List

#	qty.	description
A	2	Top/Bottom
B	2	Sides
C	2	Vertical interlocks
D	2	Horizontal interlocks
	1	Screwdriver bit
	12	1 5/8" #6 screws

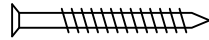


$\frac{3}{32}$ " or 2mm

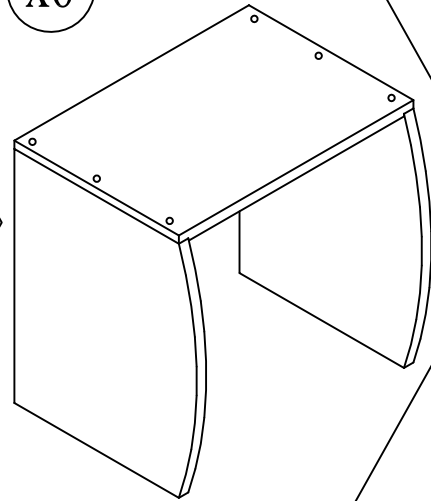
X6



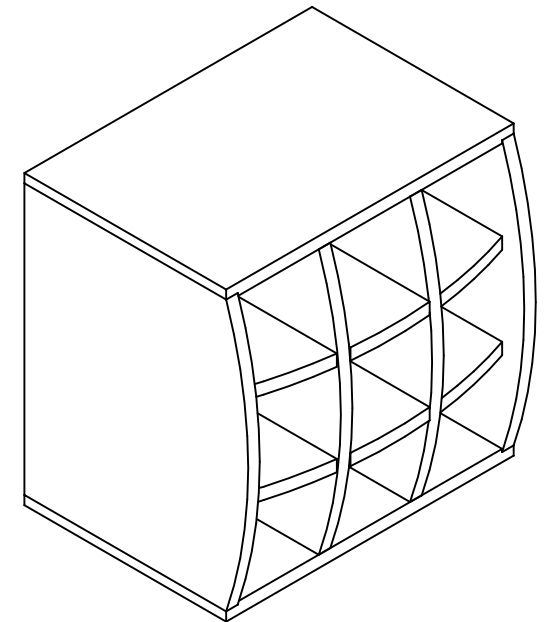
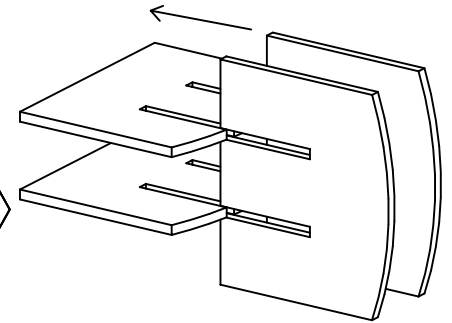
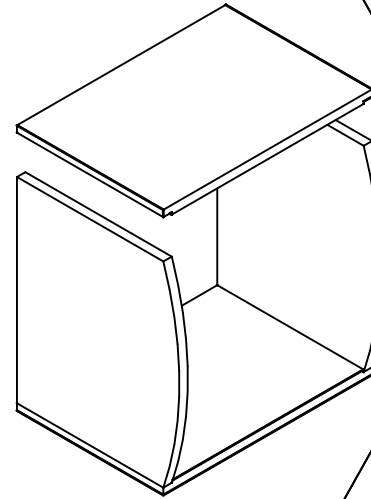
1 5/8 #6



X6



Repeat steps 1 & 2 for the bottom.



*If stacking units 2 cubes high or higher it is recommended to use a wall mounting kit purchased separately. Only the top cubes would need to be secured to the wall.