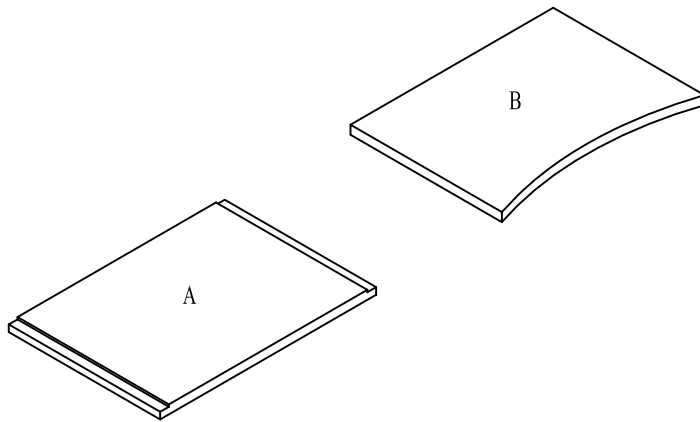
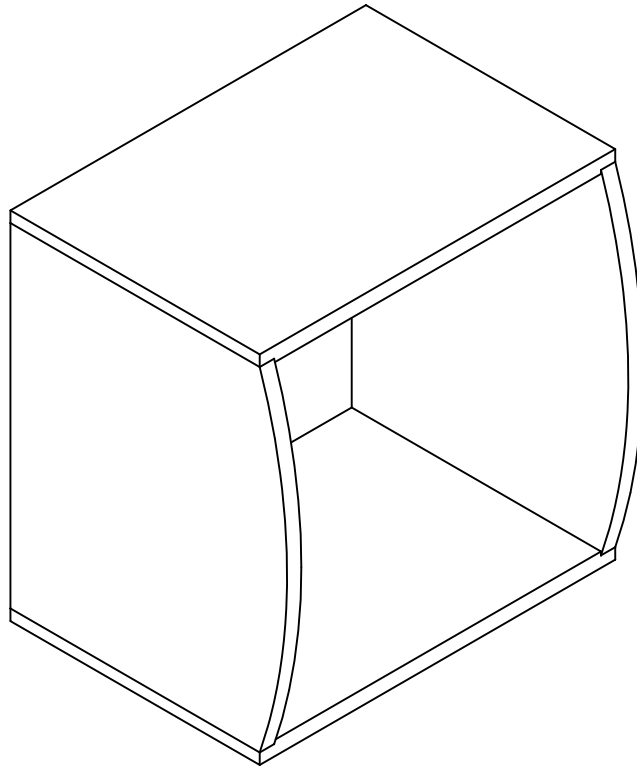


Convex Curved Bin



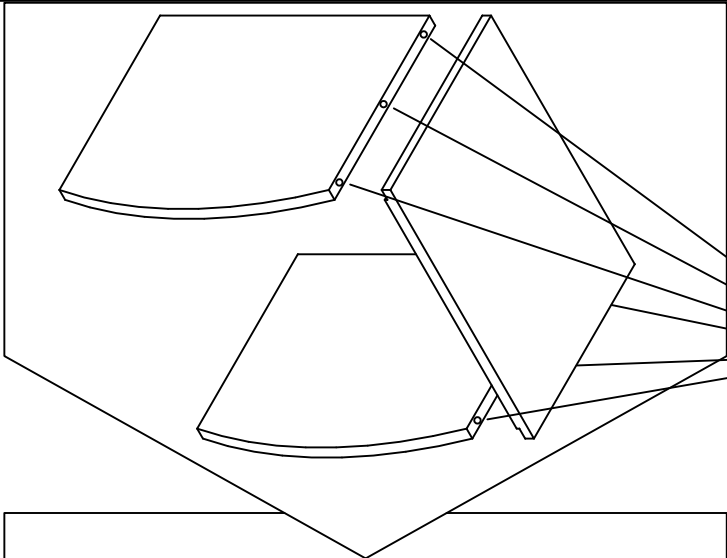
Parts List

#	qty.	description
A	2	Top/Bottom
B	2	Sides
	1	Screwdriver bit
	12	1 5/8" #6 screws



3/32" or 2mm

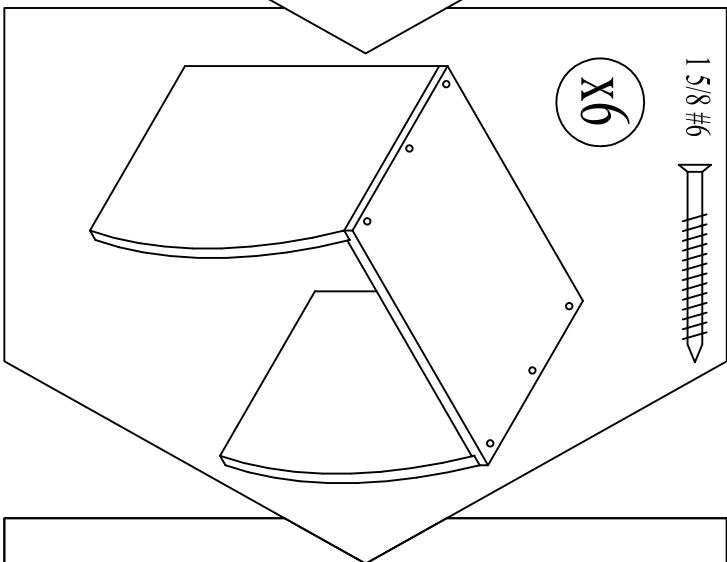
X6



1 5/8 #6

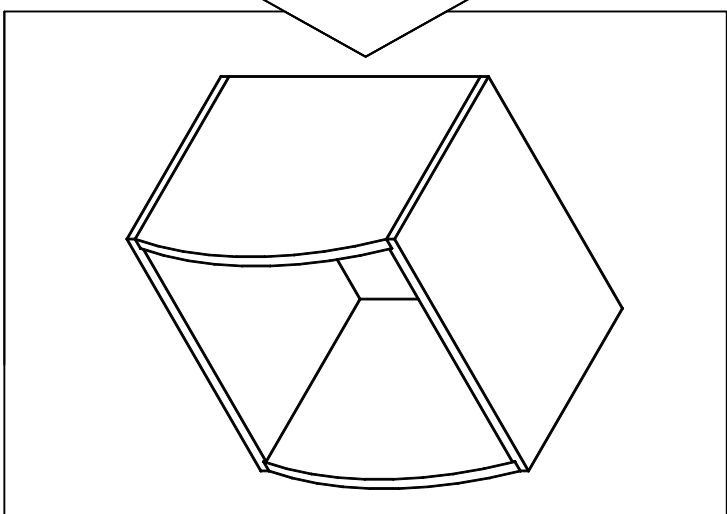
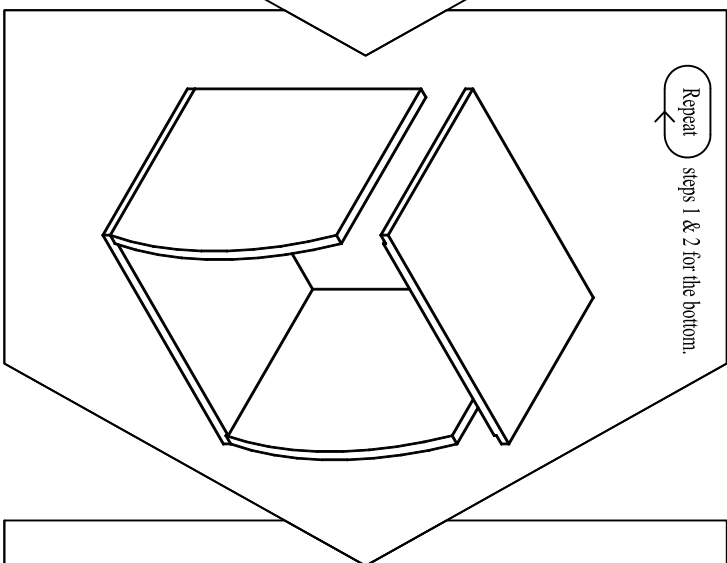


X6



Repeat

steps 1 & 2 for the bottom.



*If stacking units 2 cubes high or higher it is recommended to use a wall mounting kit purchased seperately. Only the top cubes would need to be secured to the wall.