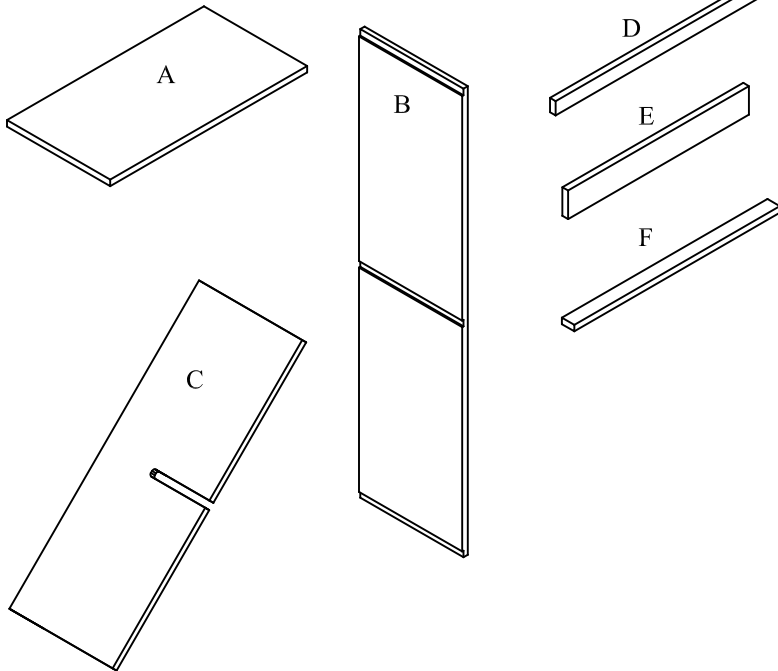
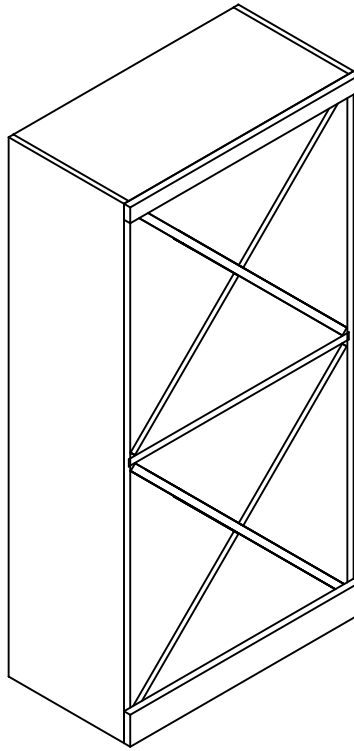


Winemaker Series

Rev: 1/27/12

WMK4-SDC



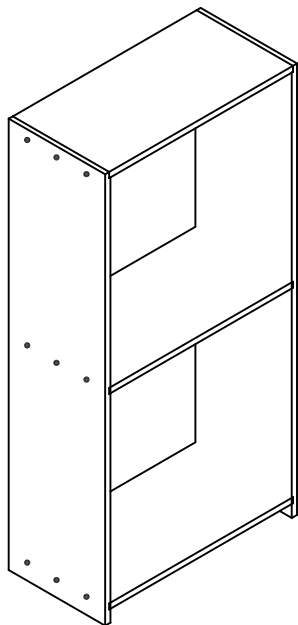
Parts List

#	qty.	description
A	3	Top/Bottom/Middle
B	2	Sides
C	4	Interlock Boards
D	1	Top Trim
E	1	Bottom Trim
F	2	Stackable Beam Supports
*	1	Screw driver bit
*	18	1 5/8" #6 Screws
*	1	Bag of nails
*	1	Hardware Pack containing 2 L Brackets 2 plastic anchors 2 1" #8 screws 2 5/8" #6 screws

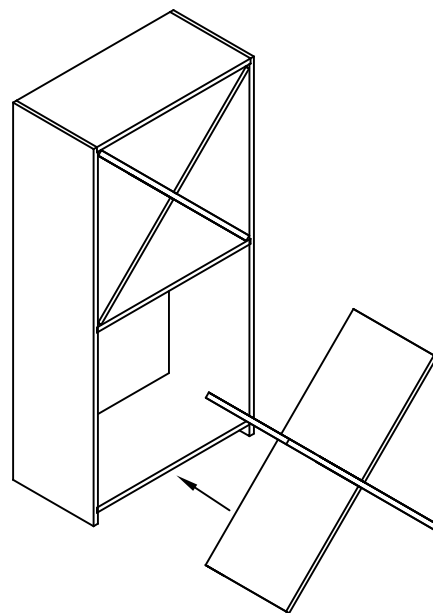
Wine Cellar Innovations
4575 Eastern Avenue
Cincinnati, Ohio 45226

Phone: (800) 229-9813
Fax: (513) 979-5280
www.winecellarinnovations.com

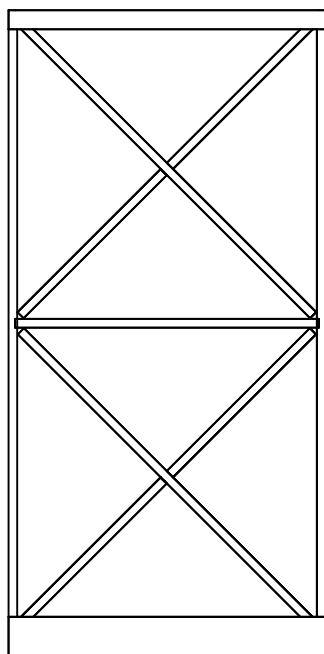
1. Attach top, bottom, middle and sides together with 1 5/8" #6 Screws.



2. Join together 2 interlocking boards to form x-interlocks and slide into openings.



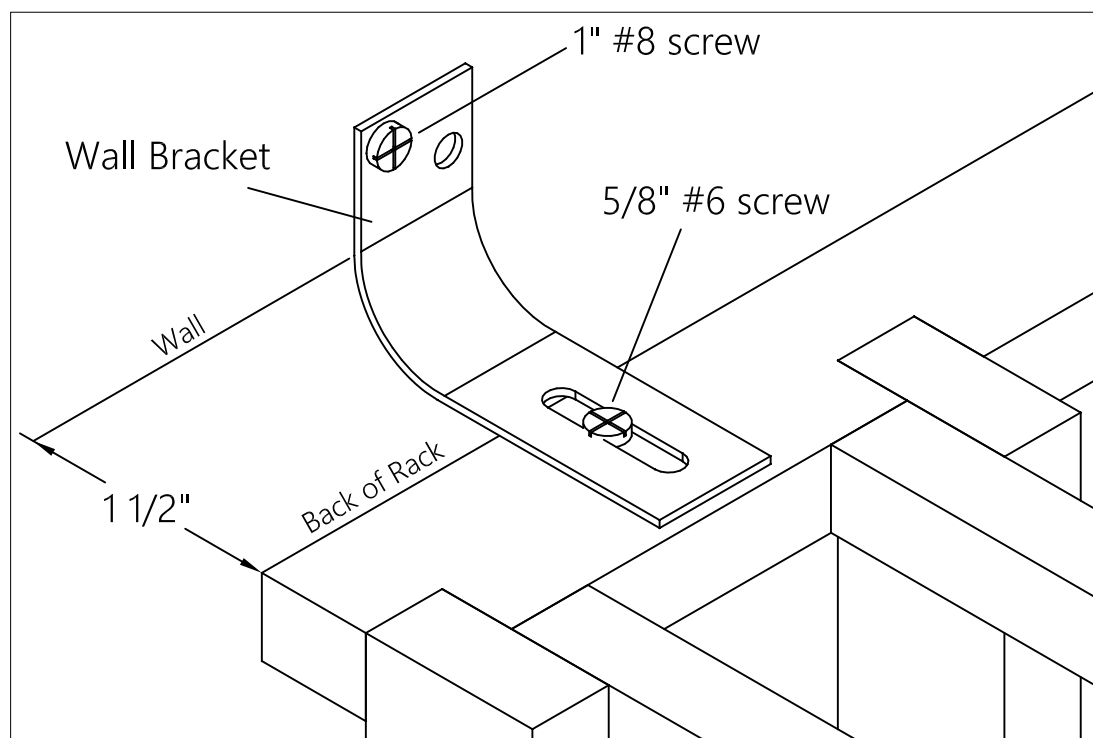
3. Attach top trim with nails.
If kit is going to be stacked with another kit follow trim kit instructions before attaching bottom trim piece. If not then attach bottom trim piece with nails.



Final Step

Secure rack to wall by attaching wall brackets to top back spacer bar. You will have 1 bracket on the left and 1 on the right.

NOTE : A distance of $1\frac{1}{2}$ " should be followed from the wall to the back of the Wine Rack



RACK ASSEMBLY IS COMPLETE.
Always remove bottles before moving racks.

For more info

Watch Assembly Videos in our Video Gallery at www.WineCellarInnovations.com