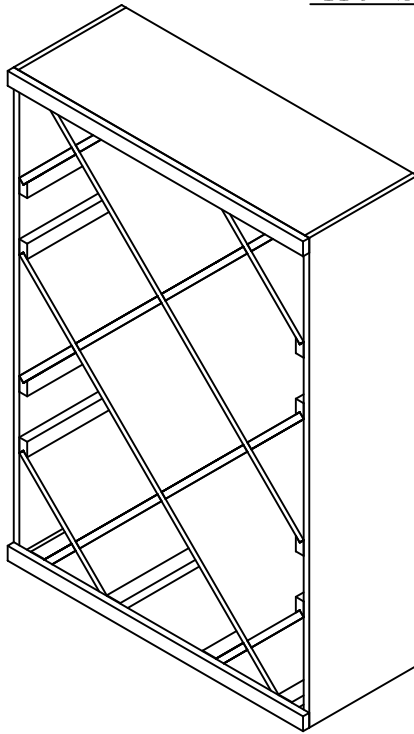


Winemaker Series

Rev: 1/07/18

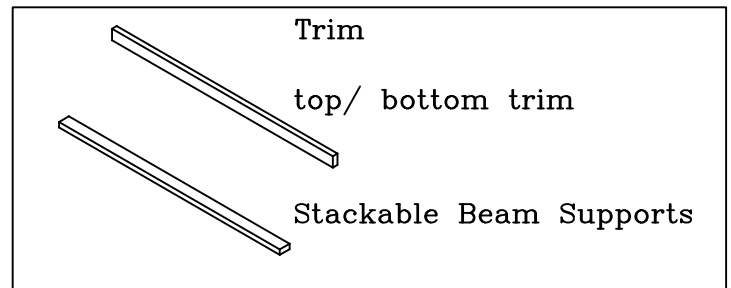
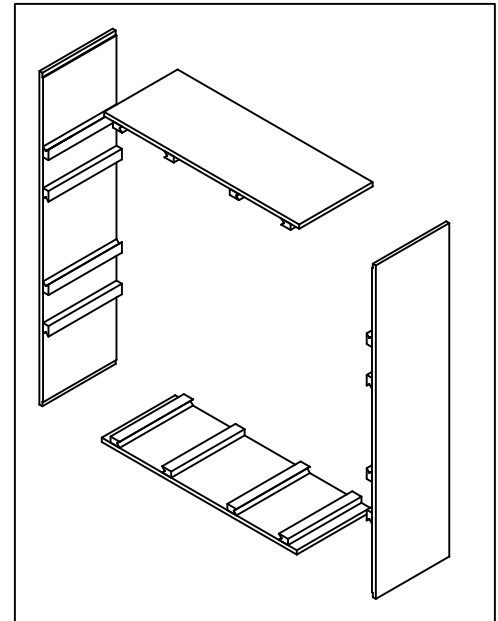
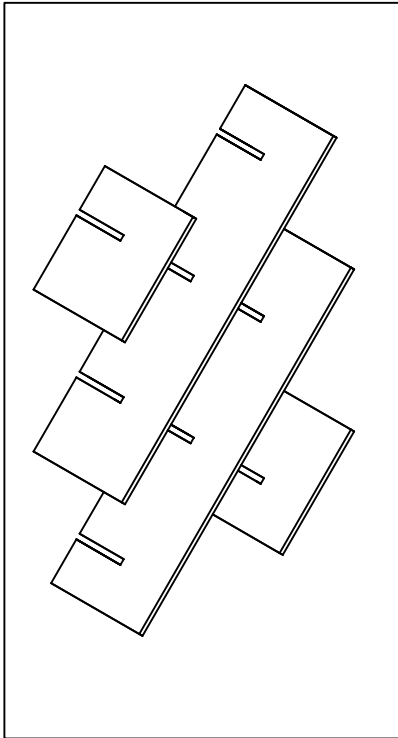
4ft Solid Diamond Bin

Parts List



qty.	description
2	(1 each) Top/ Bottom
2	Sides
2	Top/ Bottom Trim
2	Stackable Beam Supports
1	Bag of Nails
1	Patch stick
1	Screw Driver Bit
12	1 5/8" #6 screws
1	Hardware Pack containing 2 Angle Brackets 2 plastic anchors 2 1" #8 screws 2 5/8" #6 screws
X-Interlock boards	
8 total boards	4 1 Notch 4 3 Notched

X-Interlocks



Wine Cellar Innovations

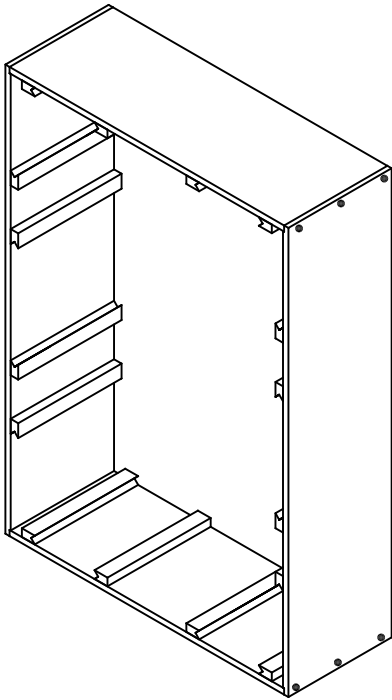
4575 Eastern Avenue
Cincinnati, Ohio 45226

Phone: (800) 229-9813

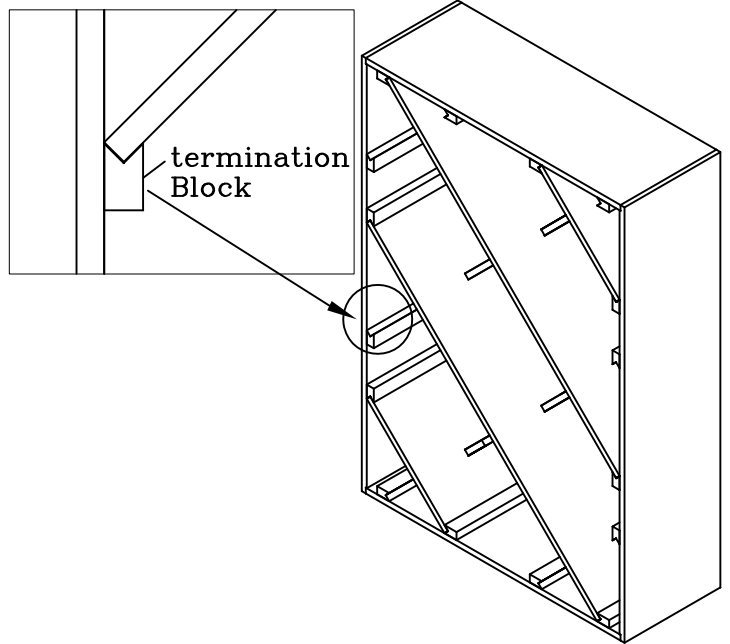
Fax: (513) 979-5280

www.winecellarinnovations.com

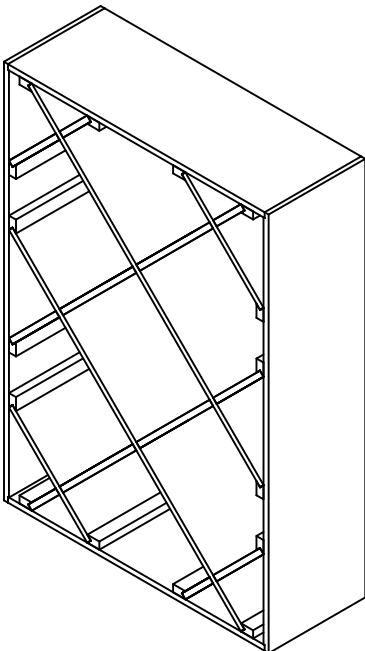
1. Attach the top, bottom, and, sides together with the 1 5/8" #6 screws.



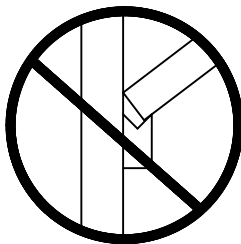
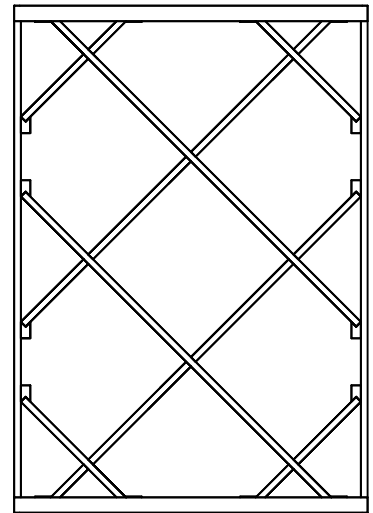
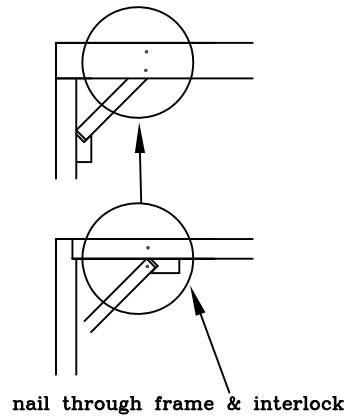
2. Insert 1/2 of interlock boards into termination blocks, notches on interlock boards should face front.



3. Insert remaining interlock boards into termination blocks, notches on interlock boards should face wall.



4. Attach Perimeter Trim. At each interlock nail through frame (top, bottom, sides) and interlock.

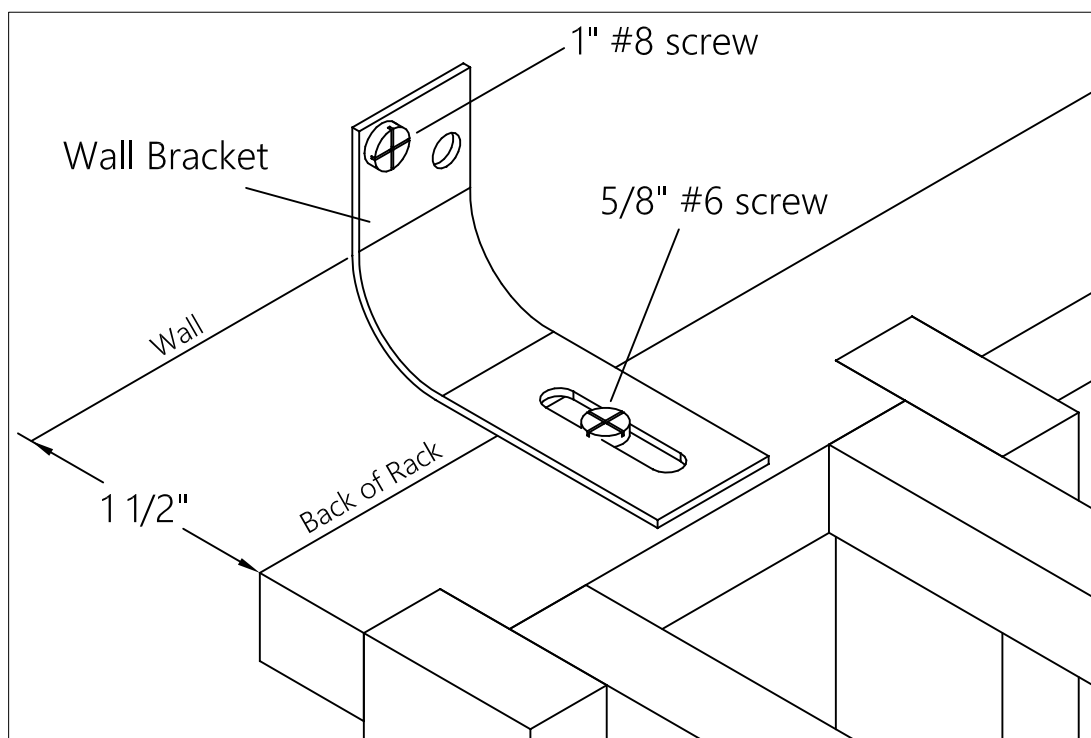


There should be no gaps between interlocks and frame. If gaps occur, measure top, bottom, and middle as in step:4.

Final Step

Secure rack to wall by attaching wall brackets to top back spacer bar. You will have 1 bracket on the left and 1 on the right.

NOTE : A distance of $1\frac{1}{2}$ " should be followed from the wall to the back of the Wine Rack



RACK ASSEMBLY IS COMPLETE.
Always remove bottles before moving racks.

For more info

Watch Assembly Videos in our Video Gallery at www.WineCellarInnovations.com