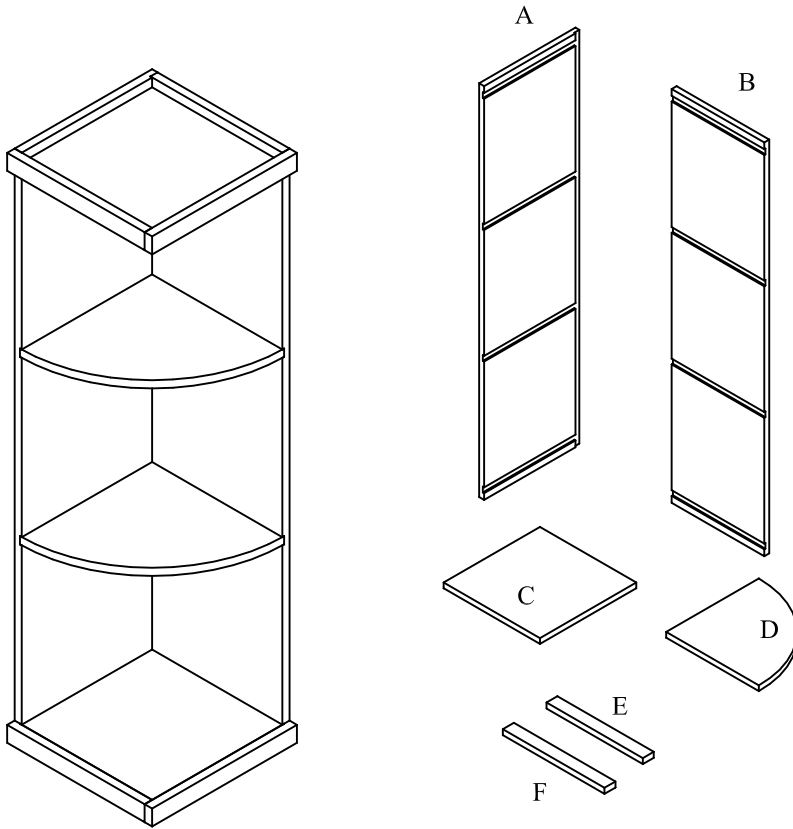


Winemaker Series

3 & 4 ft. Qt. Round Shelf

Parts List

#	qty.	description
A	1	Side#1
B	1	Side#2
C	2	Top/ Bottom
D	1 or 2	Shelves (1-3ft., 2-4ft.)
E	2	Front Trim
F	2	Side Trim
*	1	Screw driver bit
*	15 or 20	1 5/8" #6 Screws (15-3ft., 20-4ft.)
*	1	Bag of nails
*	1	Support Panel
*	1	Hardware Pack containing 2 L Brackets 2 plastic anchors 2 1" #8 screws 2 5/8" #6 screws

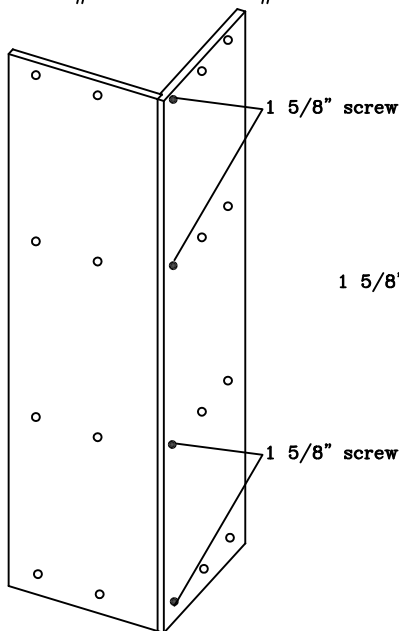


* 4ft. version shown throughout manual.

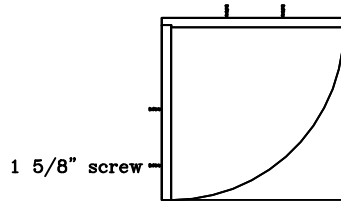
Note: support panel is slightly larger than top/ bottom (C)
Support panel is only used when stacking two qt. round kits.

Assembly

1. Screw through side#1 into side#2

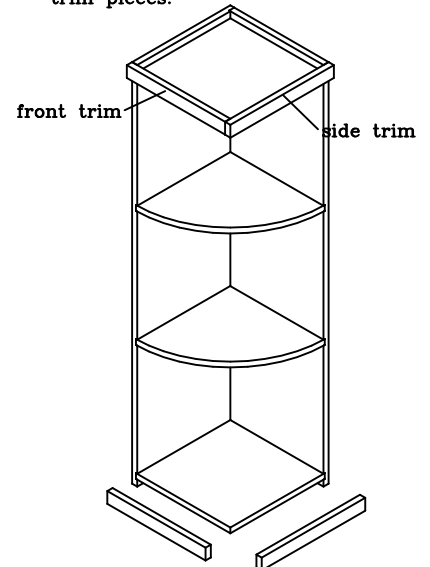


2. Insert top, bottom and shelves into grooves in sides, screw through sides into shelves



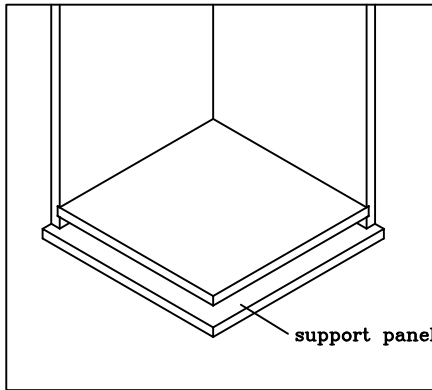
3. Nail top and side trim to top of unit

Note: if unit is going to be stacked on top of another unit follow the stacking instructions before attaching bottom trim pieces.



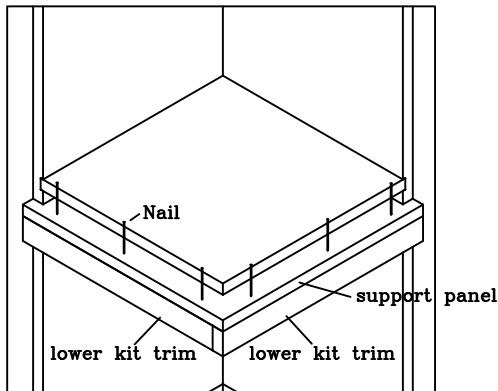
Instructions for stacking two qt. round kits.

1.



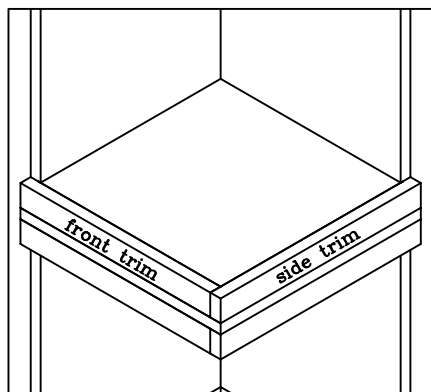
Attach support panel to bottom of upper qt. round by nailing up through qt. round sides. Edges of support panel should be flush with sides of qt. round creating a lip in front for trim.

2.



Nail down through support panel into trim of lower qt. round kit.

3.

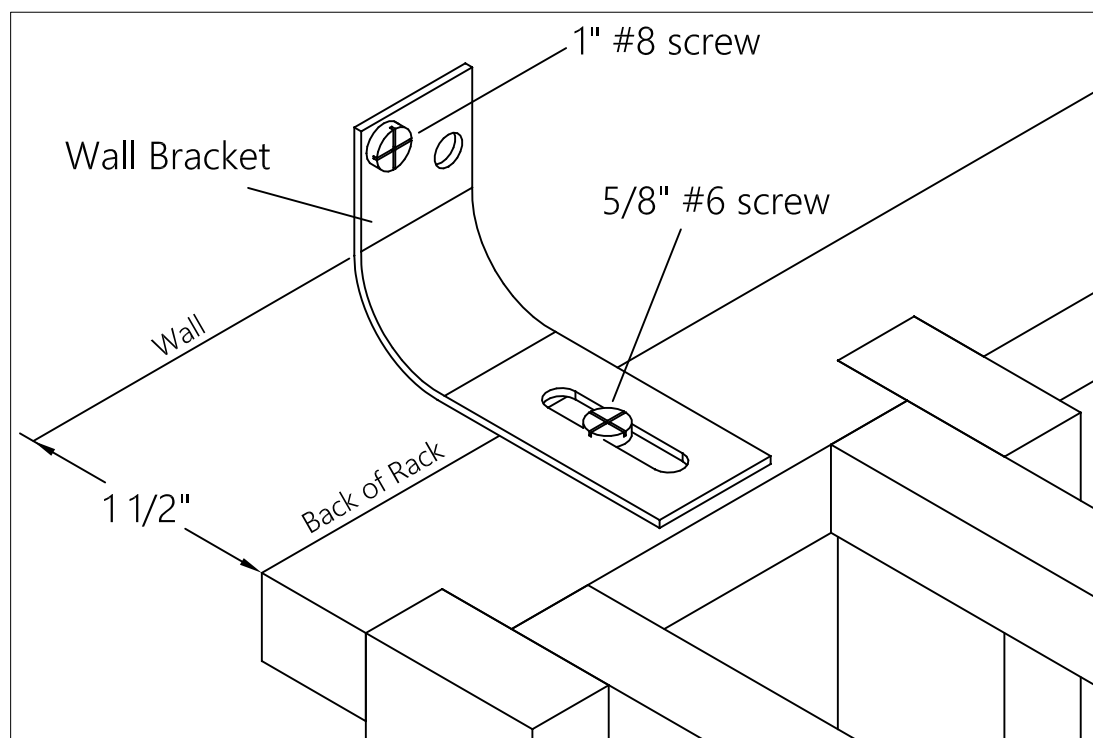


Attach front and side trim of upper qt. round w/ nails.

Final Step

Secure rack to wall by attaching wall brackets to top back spacer bar. You will have 1 bracket on the left and 1 on the right.

NOTE : A distance of $1\frac{1}{2}$ " should be followed from the wall to the back of the Wine Rack



RACK ASSEMBLY IS COMPLETE.
Always remove bottles before moving racks.

For more info

Watch Assembly Videos in our Video Gallery at www.WineCellarInnovations.com