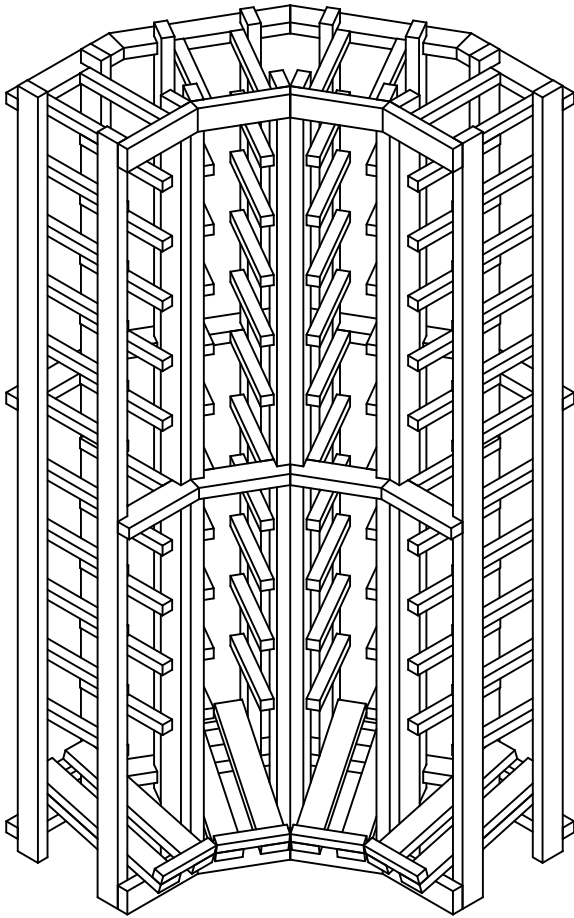


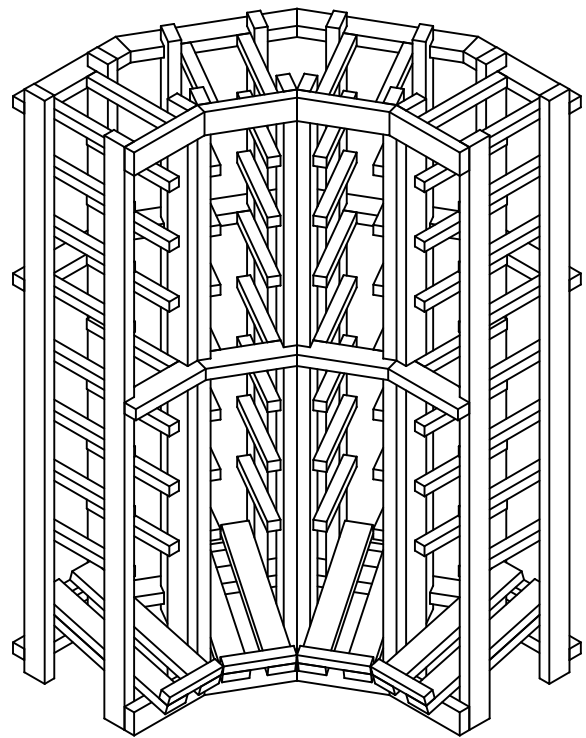
WINEMAKER SERIES ASSEMBLY MANUAL FOR CURVED CORNER WITH DISPLAY

Rev. 11/29/17

WMK4-CURVDS2 & WMK3-CURVDS2



WMK4-CURVDS2



WMK3-CURVDS2

INDUSTRY LEADING REPLACEMENT POLICY:

If during transit or assembly you should break or damage any of the parts you may contact us within 90 days of the ship date and we will ship you a replacement part via ground transportation at no additional cost to you.

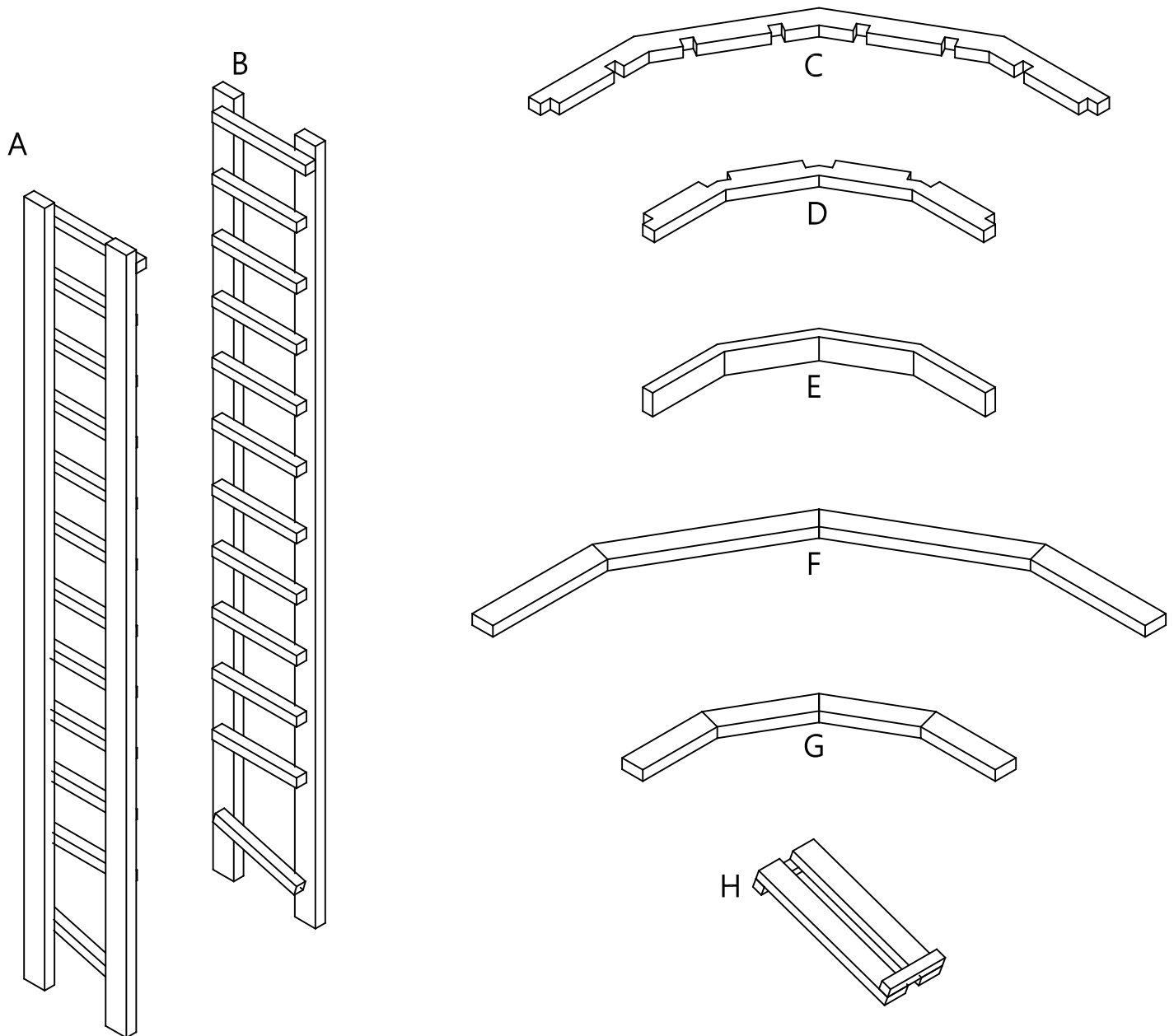
Wine Cellar Innovations
4575 Eastern Avenue
Cincinnati, Ohio 45226

Phone: (800) 229-9813
Fax: (513) 979-5280
www.winecellarinnovations.com

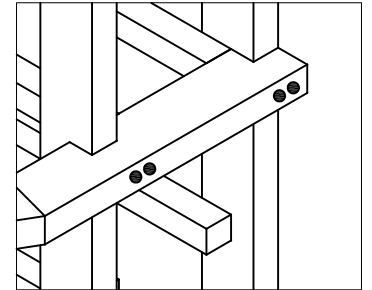
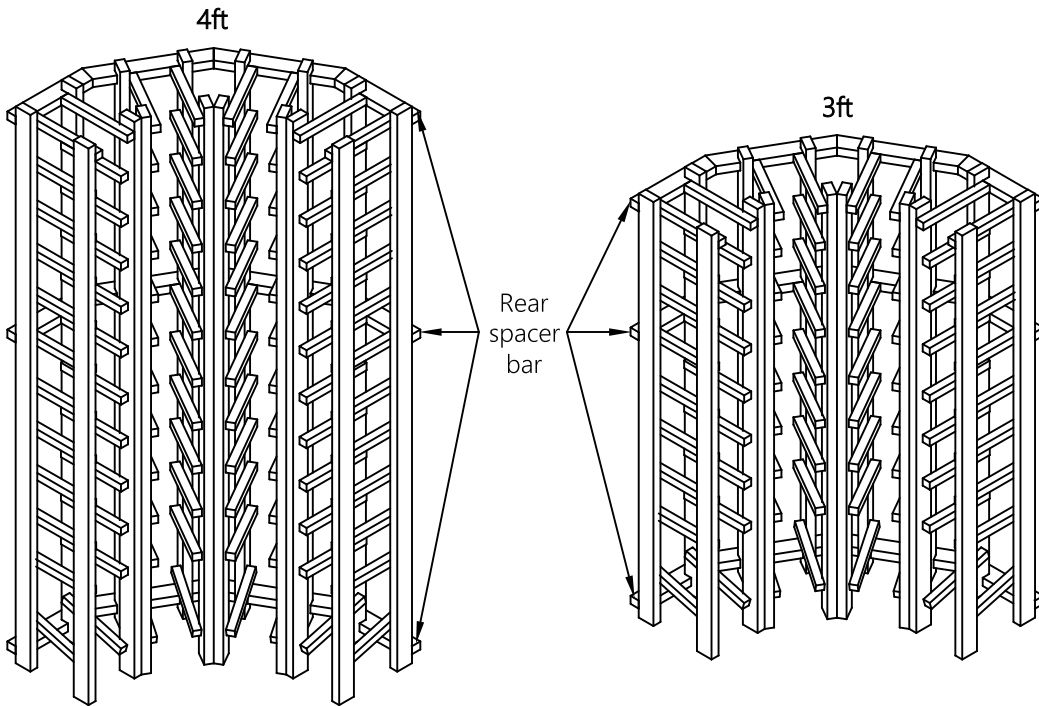
PARTS LIST

WMK3-CURVDS & WMK4-CURVDS

#	qty	description	NOTE: ALL RACK PARTS WILL INCLUDE: 1 Hardware Pack Containing : 20 - 1 5/8" #6 screws 1 - screwdriver bit 1 - Bag of nails 2 - L Brackets 2 - Plastic anchors 2 - 1" #8 screws 2 - 5/8" #6 screws
A	4	Right Racks -- 35 15/16" x 7 1/8" (3FT) or	
	4	Right Racks -- 47 3/16" x 7 1/8" (4FT)	
B	4	Left Racks -- 35 15/16" x 7 1/8" (3FT) or	
	4	Left Racks -- 47 3/16" x 7 1/8" (4FT)	
C	3	Back Spacer Bars	
D	1	Front Spacer Bars	
E	2	Top/Bottom Trim	
F	1	Stackable Beam Support	
G	1	Stackable Beam Support	
H	4	Display Tray	



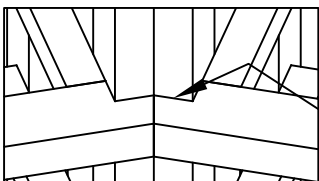
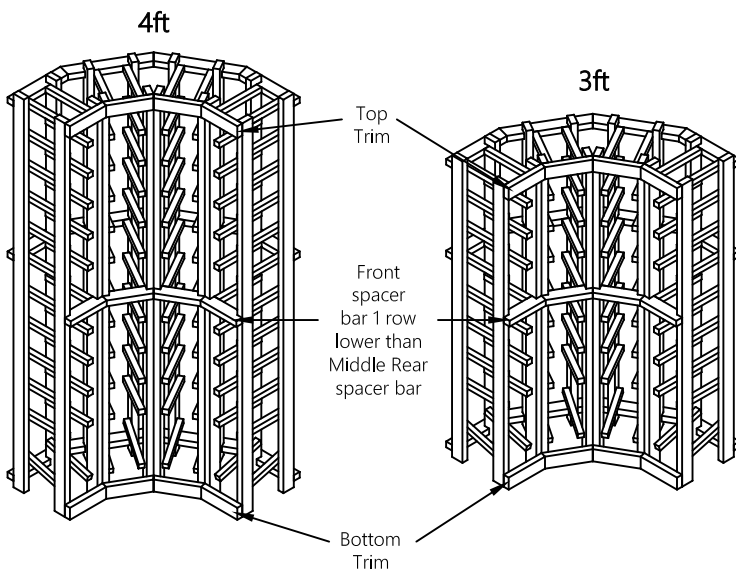
1. Attach (3) rear spacer bars to the back of the racks with nails. This can be done with the provided nail or with a brad nailer.
 NOTE: For correct orientation, the bottom bottle space of rack is taller than the top bottle space.



NAIL GUN RECOMMENDED

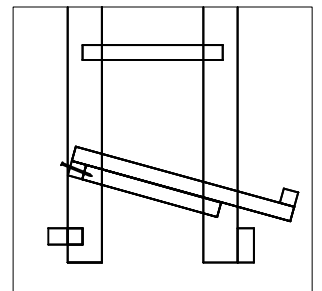
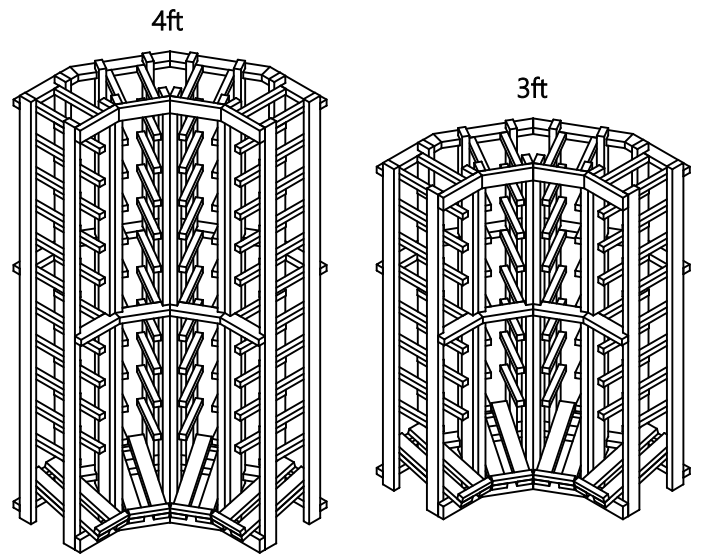
The rear spacer bars would receive double nailing thru each post.

2. Attach (1) spacer bar to the front of the racks by nailing thru the end notches. Front spacer bar is one row lower than the Middle Rear spacer bar. Then attach Top trim to front of racks with nails provided. If unit is not going to be stacked on top of another kit then attach the bottom trim as well. If unit is going to be stacked on top of another kit then follow the trim kit instructions before attaching the bottom trim.



NOTE :
 Rack should be perpendicular to the notch of the front spacerbars

3. Insert Display Tray from the front of rack. The back of tray will slide over the back of the angled bottle rails attached to the racks.

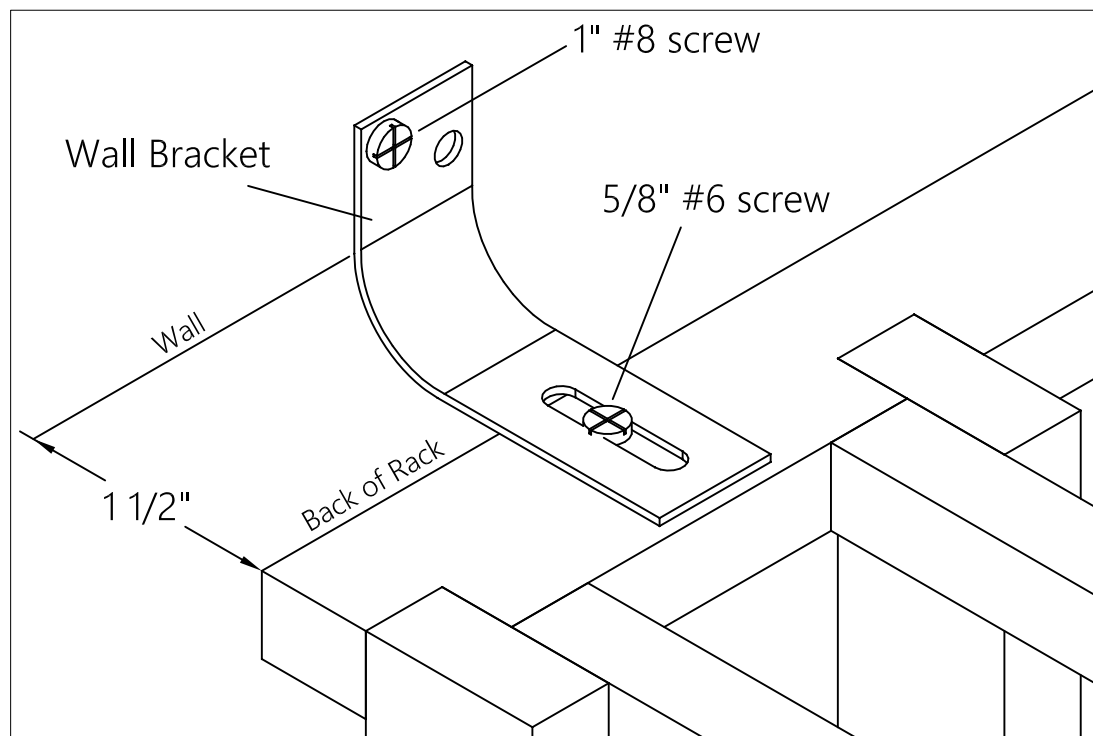


Then nail the display trays from behind to the back of the rails.

Final Step

Secure rack to wall by attaching wall brackets to top back spacer bar. You will have 1 bracket on the left and 1 on the right.

NOTE : A distance of $1\frac{1}{2}$ " should be followed from the wall to the back of the Wine Rack



RACK ASSEMBLY IS COMPLETE.
Always remove bottles before moving racks.

For more info

Watch Assembly Videos in our Video Gallery at www.WineCellarInnovations.com