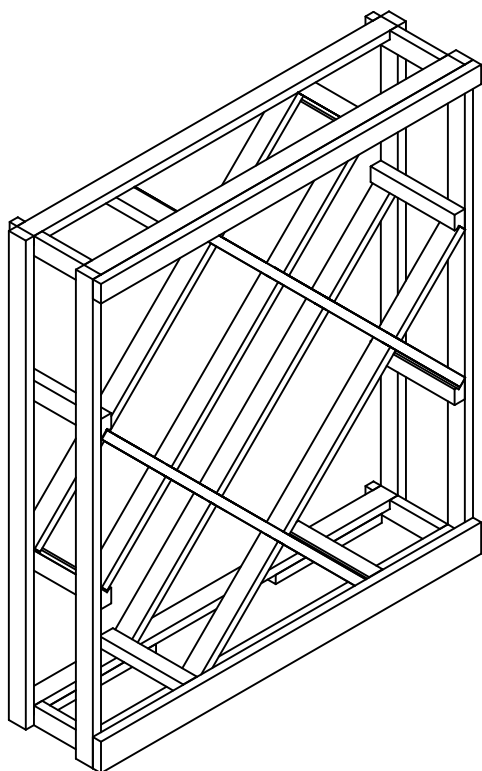


Winemaker Series

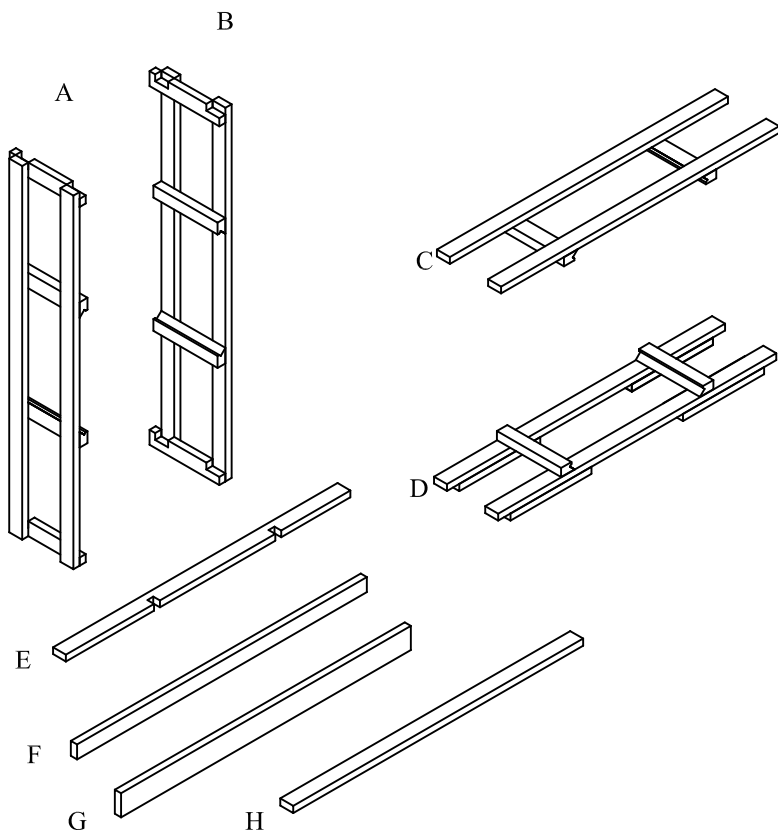
WMK3-ODIAM



Industry Leading Replacement Policy :

If during transit or assembly you should break or damage any of the parts you may contact us within 90 days of the ship date and we will ship you a replacement part via ground transportation at no additional cost to you.

Parts List

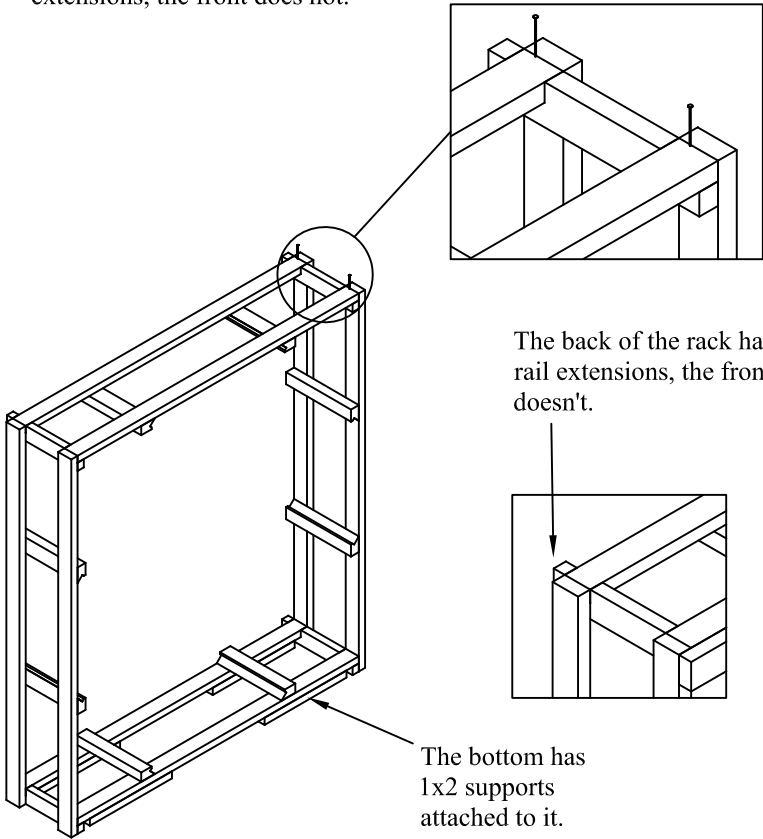


#	qty.	description
A	1	Left Rack
B	1	Right Rack
C	1	Top Rack
D	1	Bottom Rack
E	8	2 notch interlocks
F	1	Top Trim
G	1	Bottom Trim
H	2	Stackable Beam Supports
*	1	Hardware Pack containing 1 Bag of nails 2 L Brackets 2 plastic anchors 2 1" #8 screws 2 5/8" #6 screws

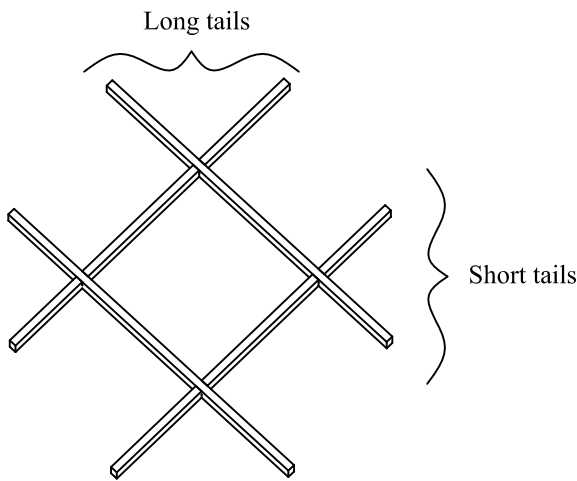
Wine Cellar Innovations
4575 Eastern Avenue
Cincinnati, Ohio 45226

Phone: (800) 229-9813
Fax: (513) 979-5280
www.winecellarinnovations.com

1. Locate the top and sides of the rack. The sides will be the longer of the two rack sizes, the top will be the shorter one without 1x2 supports attached to the bottom. Making sure the notches in the sides are facing up, nail through the top into each notch of the sides. Repeat for the bottom. NOTE: The back of the rack has rail extensions, the front does not.



2. Assemble a grid on the floor as shown being sure to nail through each intersection. Notice all long tails will face towards the top and bottom, the short tails towards the sides. Repeat for the other 2 grids.



3. Insert the completed grids into the diamond bin evenly spaced as shown below.

Nail top, bottom and side trim to the front of the diamonds bin. Your top and bottom trim will be double stacked.

If kit is going to be stacked with another kit follow trim kit instructions before attaching second bottom trim piece. If not then attach second bottom trim piece with nails.

