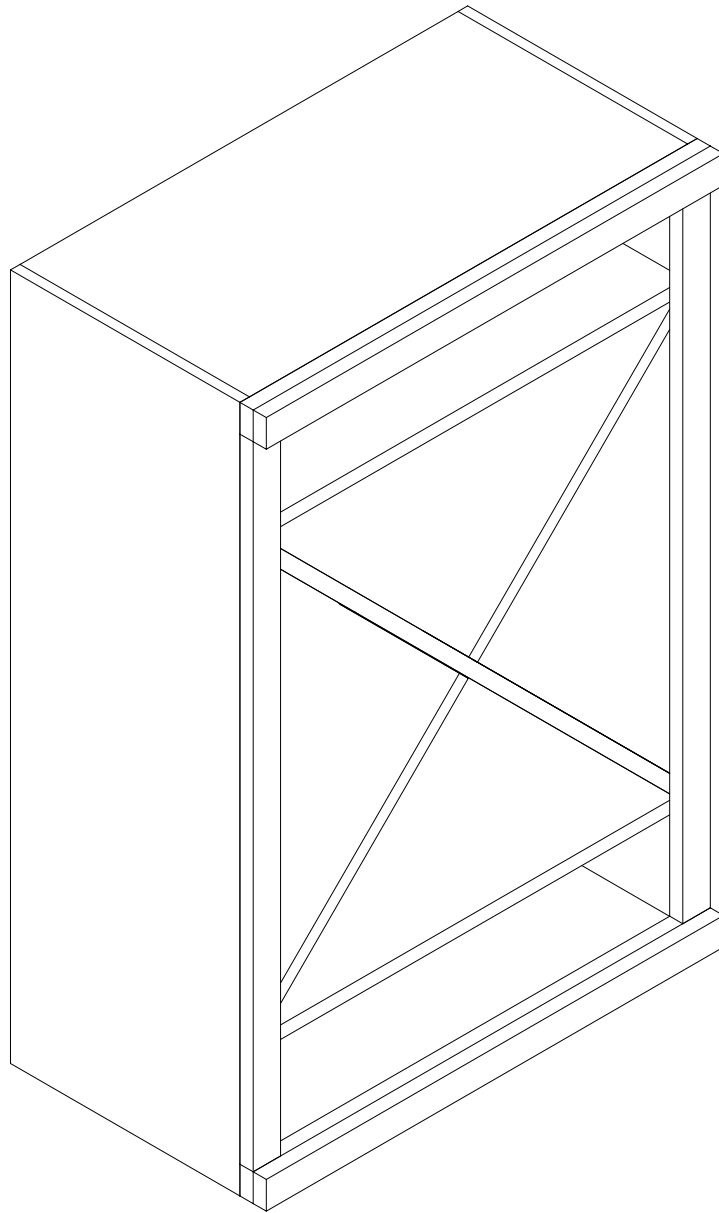


Assembly Manual VIN3-xx-SDC

REV. 01/30/20



Industry Leading Replacement Policy :

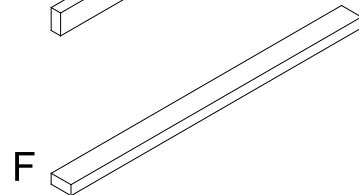
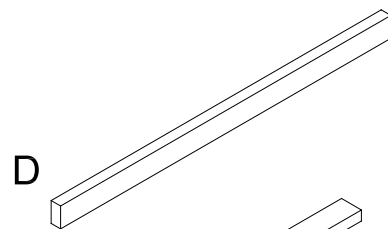
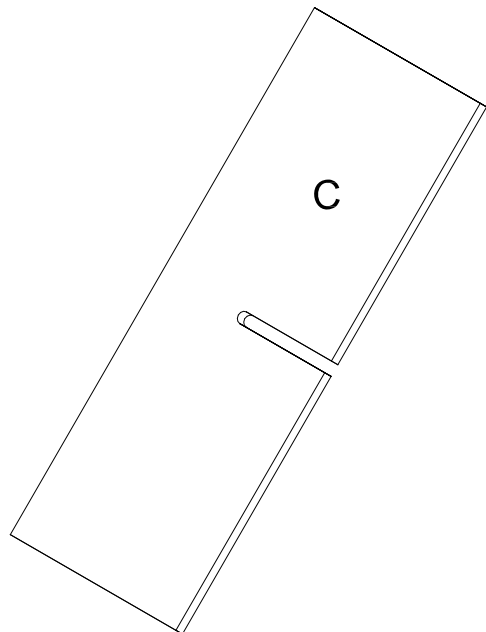
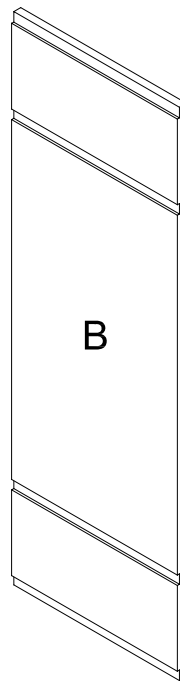
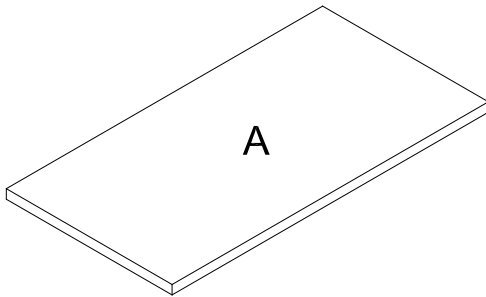
If during transit or assembly you should break or damage any of the parts you may contact us within 90 days of the ship date and we will ship you a replacement part via ground transportation at no additional cost to you.

Wine Cellar Innovations
4575 Eastern Avenue
Cincinnati, Ohio 45226

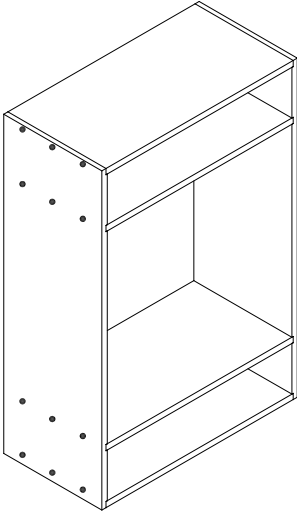
Phone: (800) 229-9813
Fax: (513) 979-5280
www.winecellarinnovations.com

Parts List

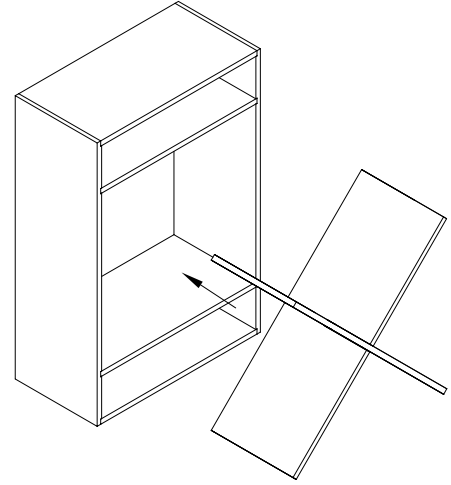
#	qty.	description
A	4	Top/Bottom/Middle -- 22 3/16" x 12"
B	2	Sides -- 35 15/16" 12"
C	2	Interlock Boards -- 30 1/32" x 12"
D	4	(2 each) Top/Bottom Trim -- 23 33/16" x 1 7/16"
E	2	Side Trim 33 1/16" x 1 7/16"
F	2	Stackable Beam Supports -- 23 3/16"
*	1	Screw driver bit
*	24	1 5/8" #6 Screws
*	1	Bag of nails
*	1	Hardware Pack containing 2 1"Corner Brace 2 plastic anchors 2 1"#8 screws 2 5/8"#6 screws



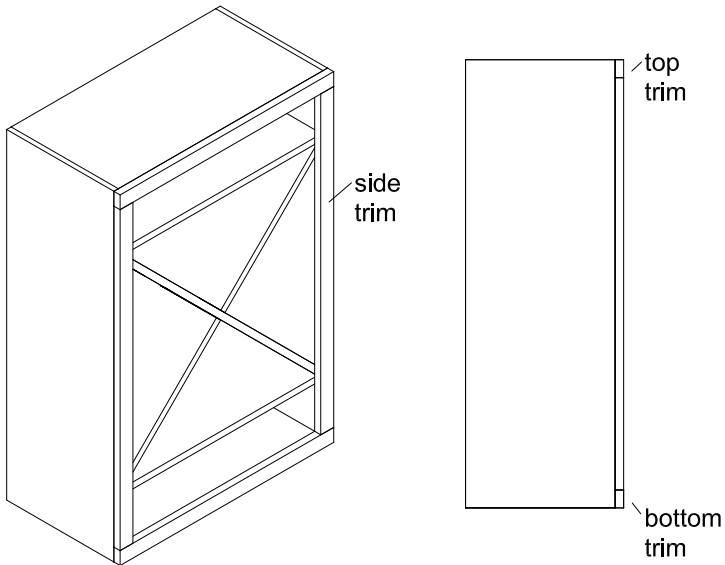
1. Attach top, bottom, middle and sides together with 1 5/8" #6 Screws.



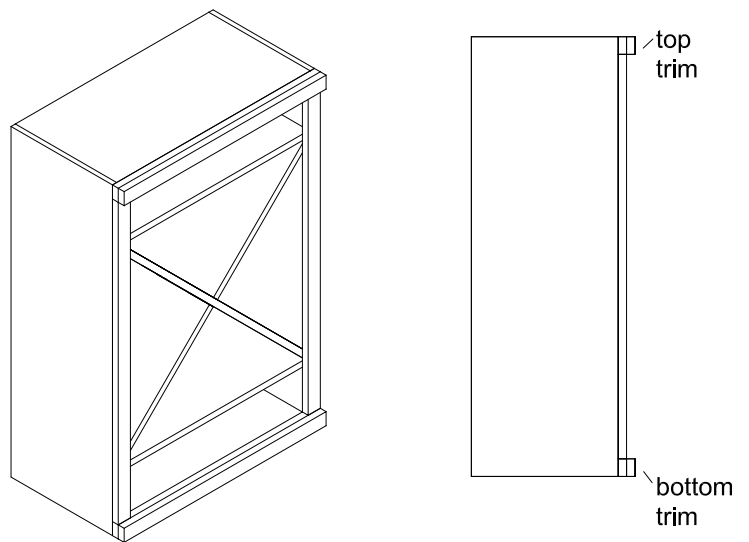
2. Join together 2 interlocking boards to form x-interlocks and slide into opening.



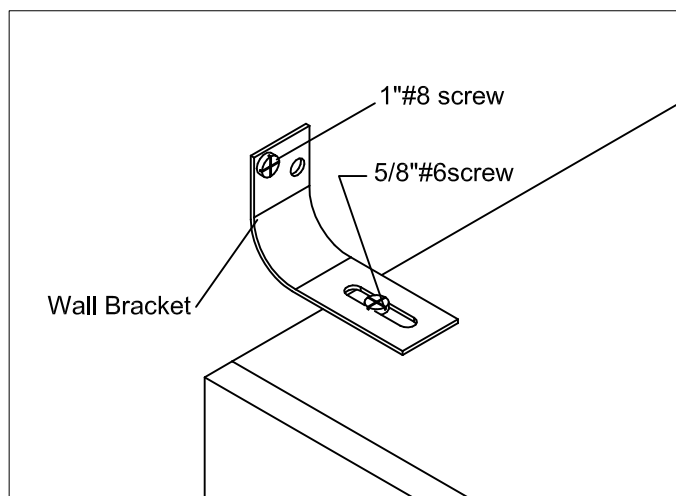
3. Attach (1) top trim, side trim, and (1) bottom trim with nails.



4. Attach second top trim to unit with nails.
If kit is going to be stacked with another kit follow trim kit instructions before attaching second bottom trim piece. If not then attach second bottom trim piece with nails.



Final Step



Secure rack to wall by attaching wall brackets to top rear of unit.
You will have 1 bracket on the left and 1 on the right.

RACK ASSEMBLY IS COMPLETE
Always remove bottles before moving racks.

For more info

Watch Assembly Videos in our Video Gallery at www.WineCellarInnovations.com