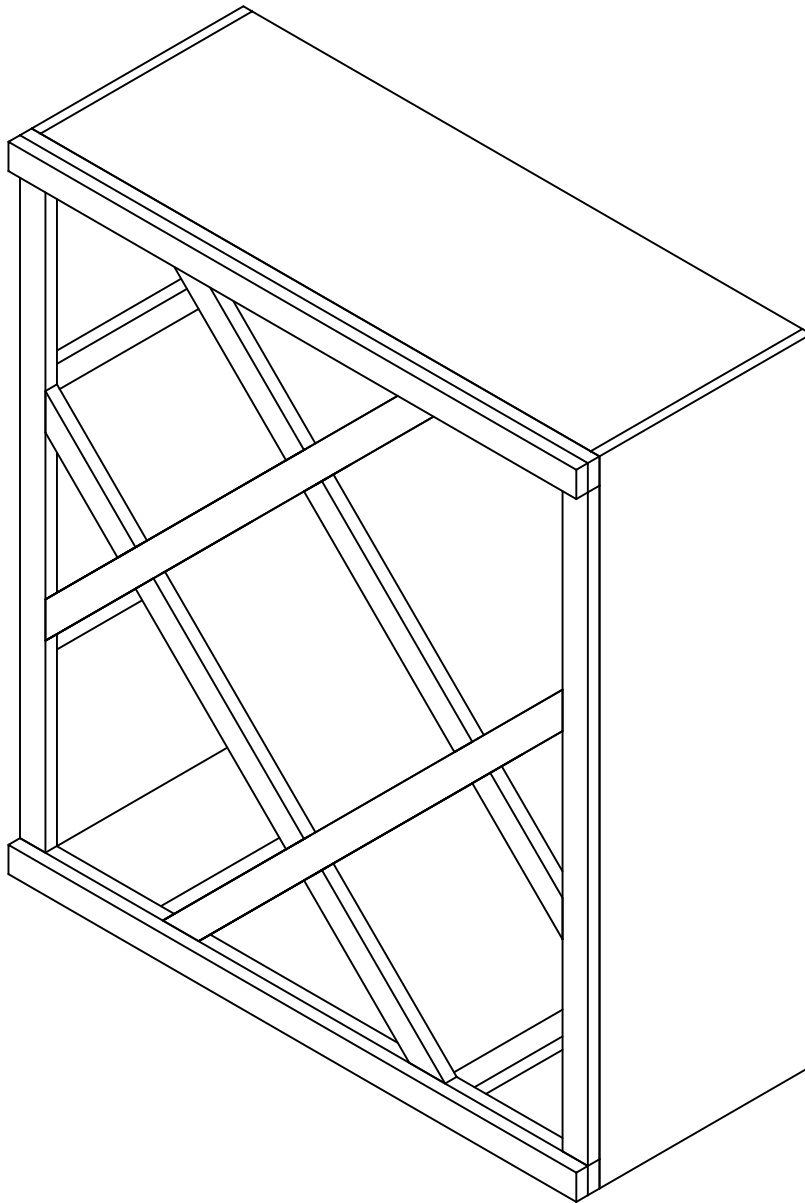


Assembly Manual VIN3-xx-DIAM



Industry Leading Replacement Policy :

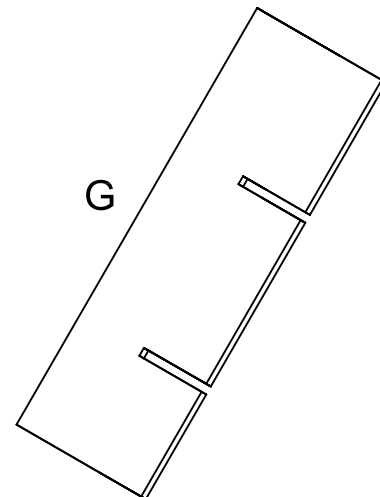
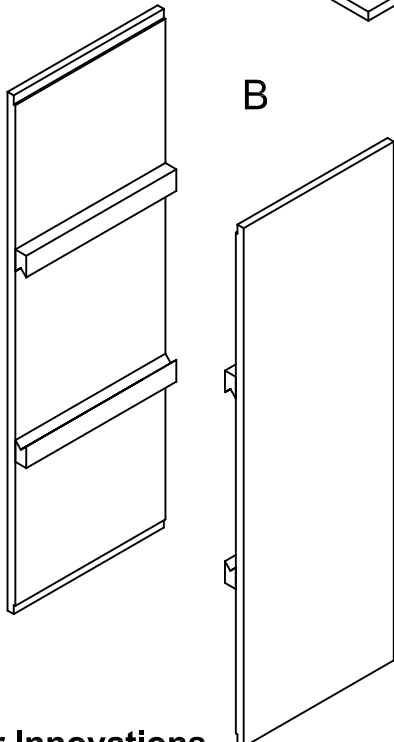
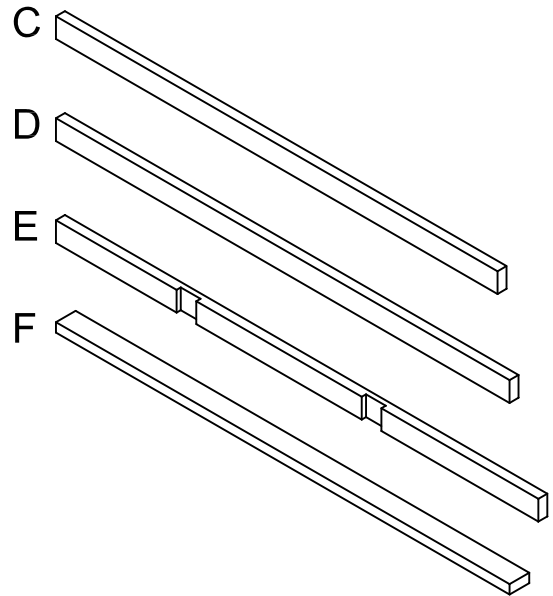
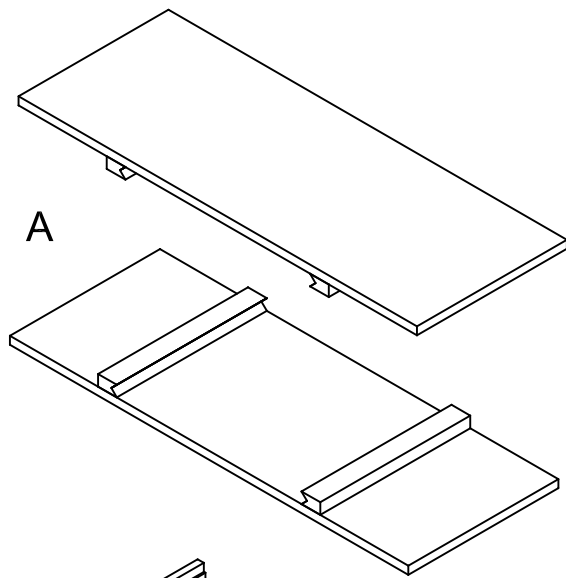
If during transit or assembly you should break or damage any of the parts you may contact us within 90 days of the ship date and we will ship you a replacement part via ground transportation at no additional cost to you.

Wine Cellar Innovations
4575 Eastern Avenue
Cincinnati, Ohio 45226

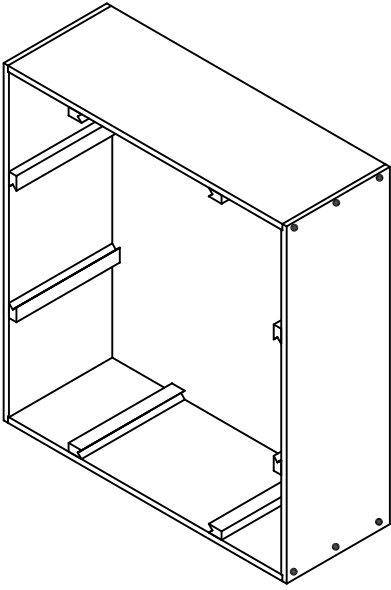
Phone: (800) 229-9813
Fax: (513) 979-5280
www.winecellarinnovations.com

Parts List

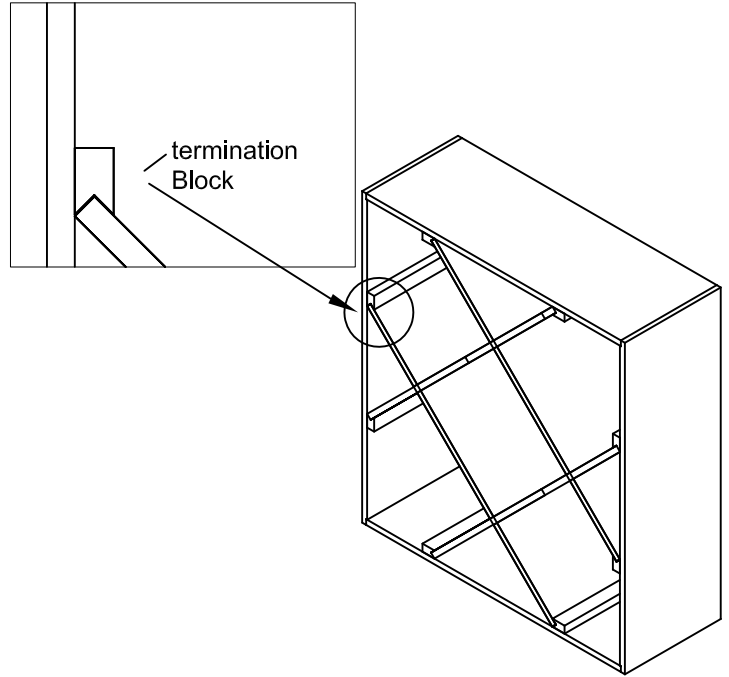
#	qty.	description
A	2	(1 each) Top/ Bottom -- 32 4/8"
B	2	Sides -- 35 15/16"
C	4	(2 each) Top/ Bottom Trim -- 32 7/8"
D	2	Side Trim -- 33 1/16"
E	4	2 Notch Face Trim -- 38 15/16"
F	2	Stackable Beam Supports -- 32 7/8"
G	4	2 Notch X-interlock boards -- 32 3/4" x 12"
	1	Bag of Nails
	1	Patch stick
	1	Screw Driver Bit
	12	1 5/8" #6 screws
	1	Hardware Pack containing 2 1" corner brace 2 plastic anchors 2 1"#8 screws 2 5/8"#6 screws



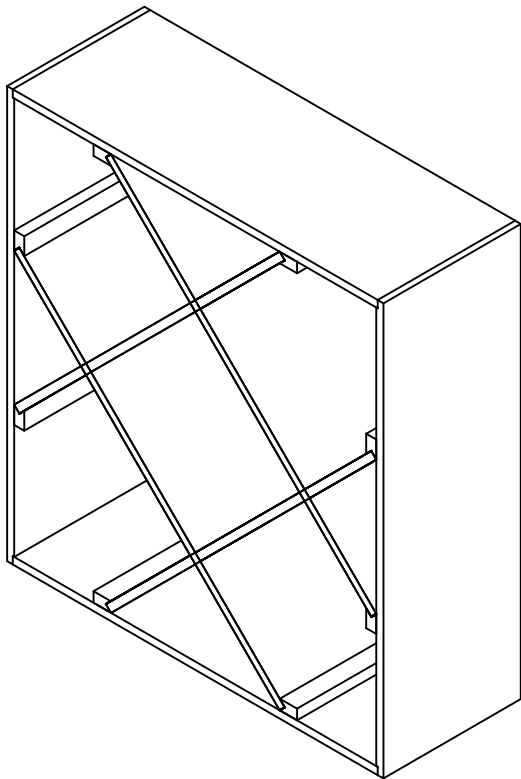
1. Attach the top, bottom, and sides together with the 1 5/8" #6 screws.



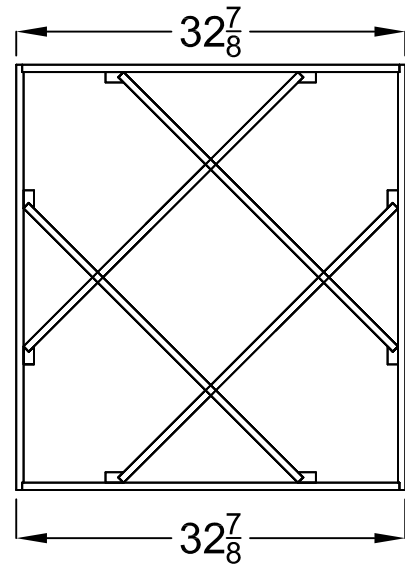
2. Insert 1/2 of interlock boards into termination blocks, notches on interlock boards should face front.



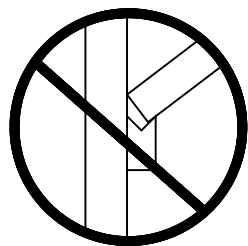
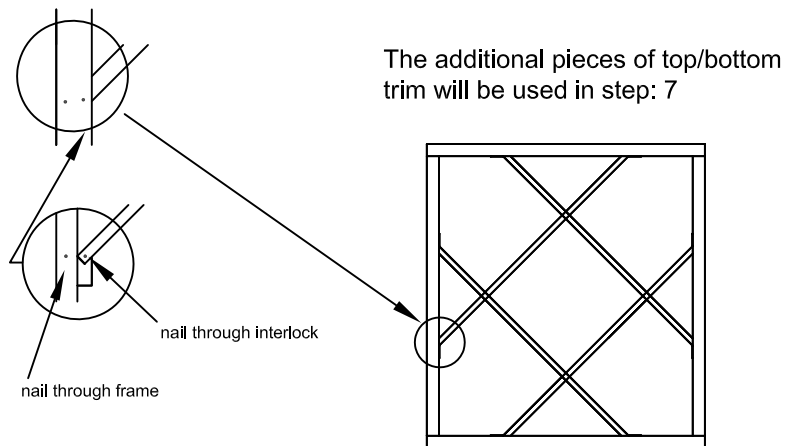
3. Insert remaining interlock boards into termination blocks, notches on interlock boards should face wall.



4. Measure top, middle and bottom of Diamond bin, to prevent gaps in trim all three must equal 32 7/8" Be sure to maintain 32 7/8" dimension while attaching trim.

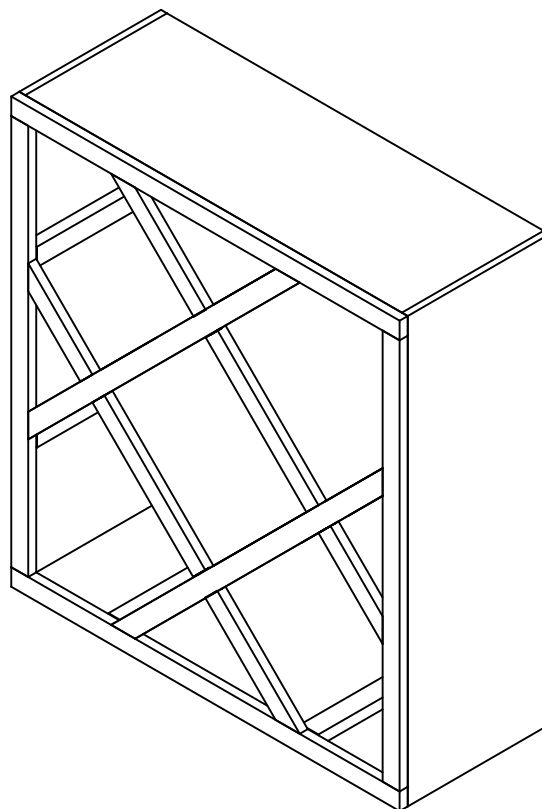


5. Attach Perimeter Trim. At each interlock nail through frame (top, bottom, sides) and interlock.

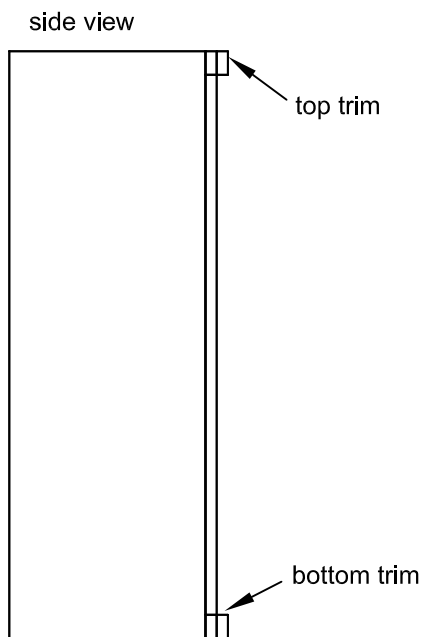


There should be no gaps between interlocks and frame. If gaps occur, measure top, bottom, and middle as in step:4.

6. Nail interlocking face trim to x-interlocks. see "Diamond Face Trim Detail"

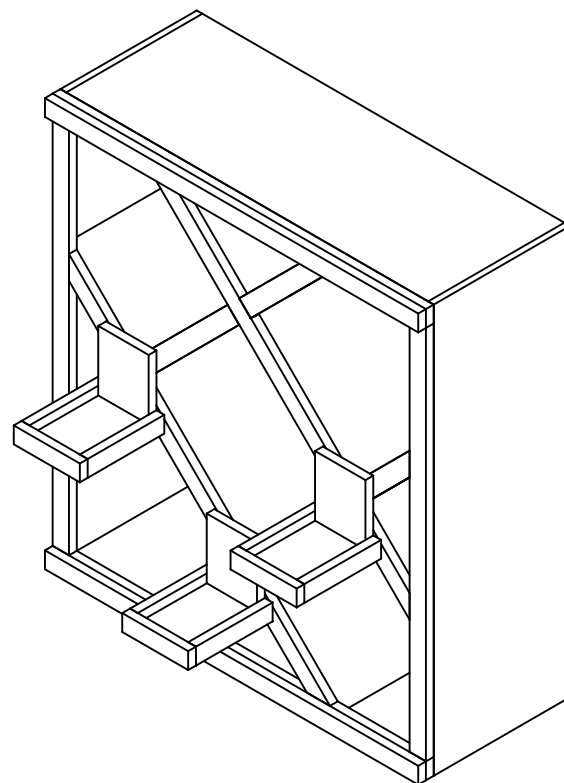
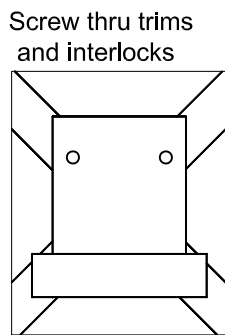


7. Attach second top trim piece with nails.
If kit is going to be stacked with another kit follow trim kit instructions before attaching bottom trim. If not then attach bottom trim piece with nails.



8. Attach Display trays to trims and interlocks with 1 3/4" #8 wood screws.

Note : Pre-drill using a 1/8" drill bit.



Diamond Face Trim Detail

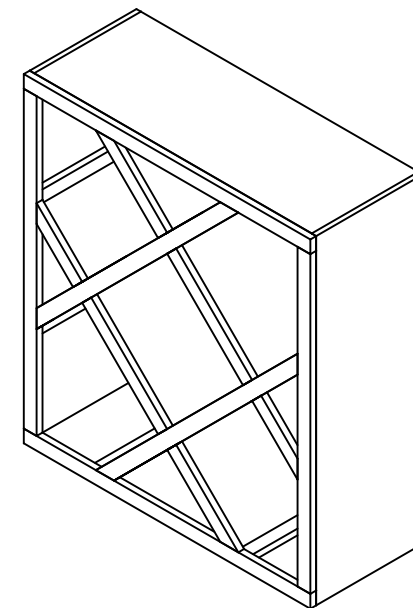
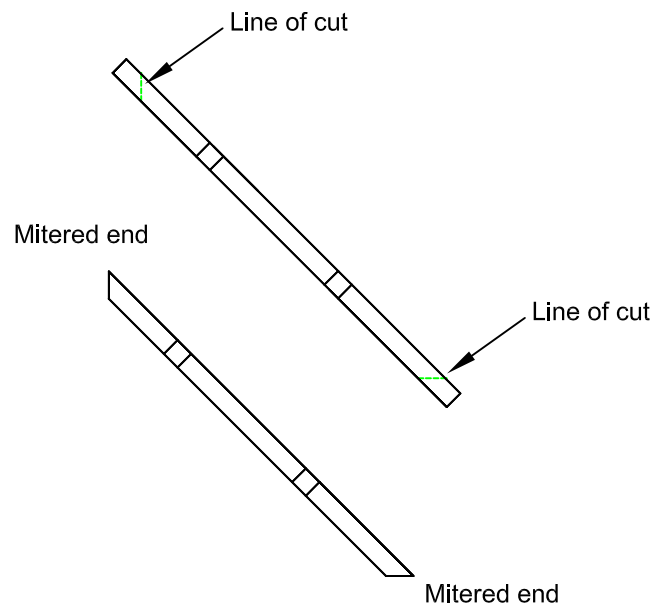
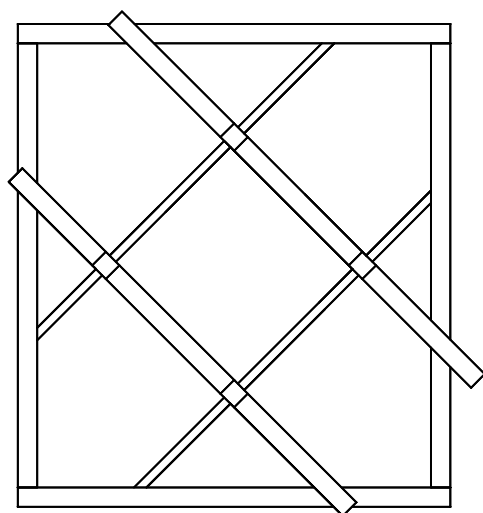
Face trim is applied after the diamond bin is assembled with perimeter trim (top, bottom, sides) attached. Diamond bins can either be standing upright or laying flat on the floor, though the process in most instances would be easier flat on the floor.

There will be 1 piece of face trim for each of the interlock boards. The notches on face trim boards match the dadoes on the interlock boards. Face trim boards are sent approximately 3" long on either end to be cut to fit on site by contractor. This is done to prevent gaps and insure a tight fit.

Step 1: With notches facing up lay 1 face trim piece on half of interlock boards(see below). Notches on face trim should be lined up with dadoes on interlocks. When you are satisfied with alignment, mark the point at which the face trim intersects the perimeter trim.

Step 2: Miter cut ends of face trim at the marked line.

Step 3: Nail cut face trim boards to one half of interlocks, Repeat procedure for remaining interlocks

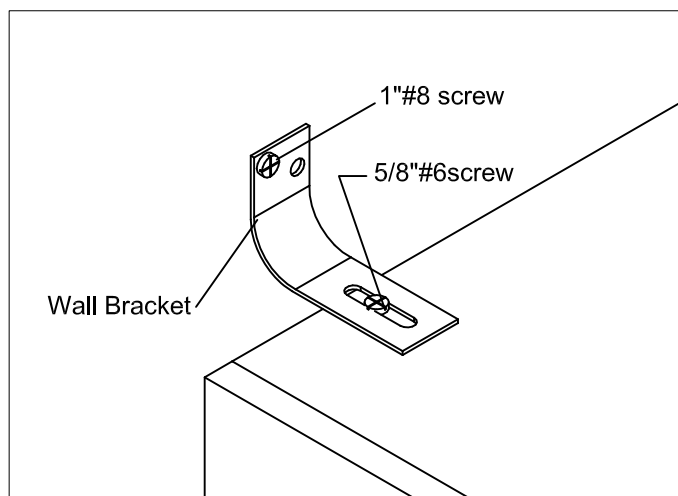


Note: If you happen to miter face trim incorrectly Wine Cellar Innovations will replace free of charge.

Wine Cellar Innovations
4575 Eastern Avenue
Cincinnati, Ohio 45226

Phone: (800) 229-9813
Fax: (513) 979-5280
www.winecellarinnovations.com

Final Step



Secure rack to wall by attaching wall brackets to top rear of unit.
You will have 1 bracket on the left and 1 on the right.

RACK ASSEMBLY IS COMPLETE
Always remove bottles before moving racks.

For more info

Watch Assembly Videos in our Video Gallery at www.WineCellarInnovations.com