

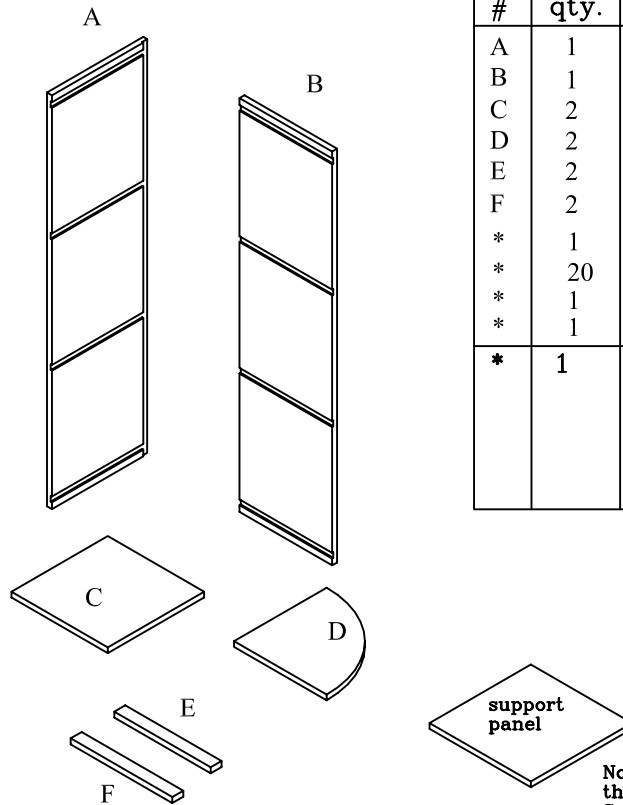
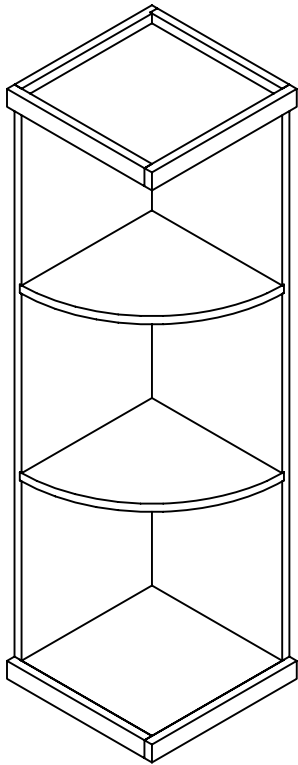
Stackable Kit Line

Rev. 2/4/08

Parts List

Qt. Round Shelf

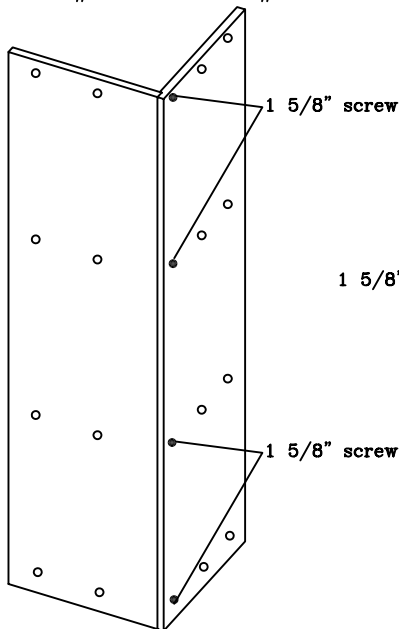
#	qty.	description
A	1	Side#1
B	1	Side#2
C	2	Top/ Bottom
D	2	Shelves
E	2	Front Trim
F	2	Side Trim
*	1	Screw driver bit
*	20	1 5/8" #6 Screws
*	1	Bag of nails
*	1	Support Panel
*	1	Hardware Pack containing 2 1" Corner Brace 2 plastic anchors 2 1" #8 screws 2 5/8" #6 screws



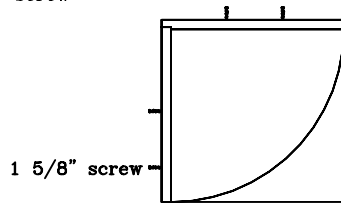
Note: support panel is slightly larger than top/ bottom (C)
Support panel is only used when stacking two qt. round kits.

Assembly

1. Screw through side#1 into side#2

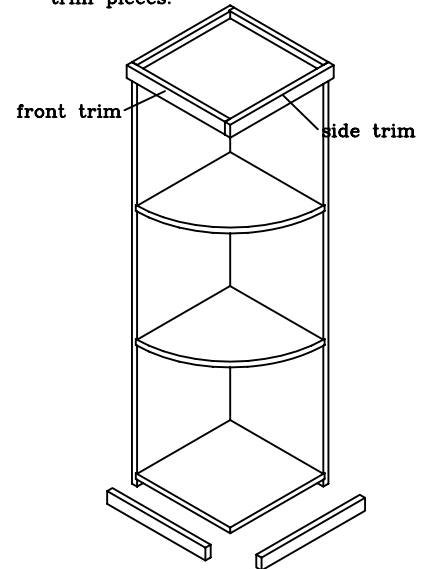


2. Insert top, bottom and shelves into grooves in sides, screw through sides into shelves



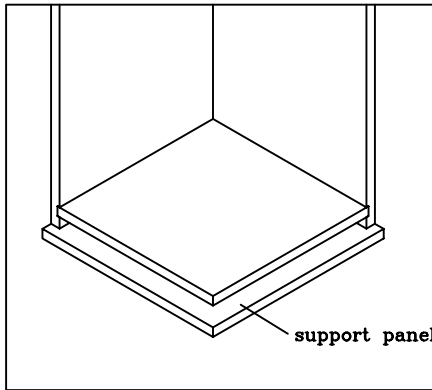
3. Nail top and side trim to top of unit

Note: if unit is going to be stacked on top of another unit follow the stacking instructions before attaching bottom trim pieces.



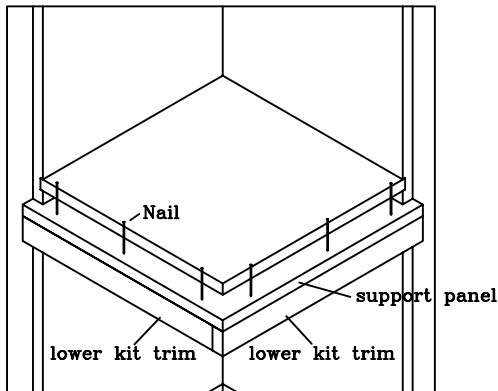
Instructions for stacking two qt. round kits.

1.



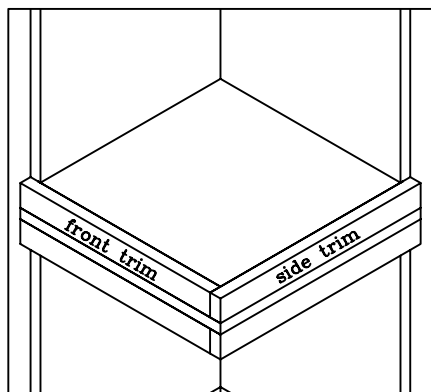
Attach support panel to bottom of upper qt. round by nailing up through qt. round sides. Edges of support panel should be flush with sides of qt. round creating a lip in front for trim.

2.



Nail down through support panel into trim of lower qt. round kit.

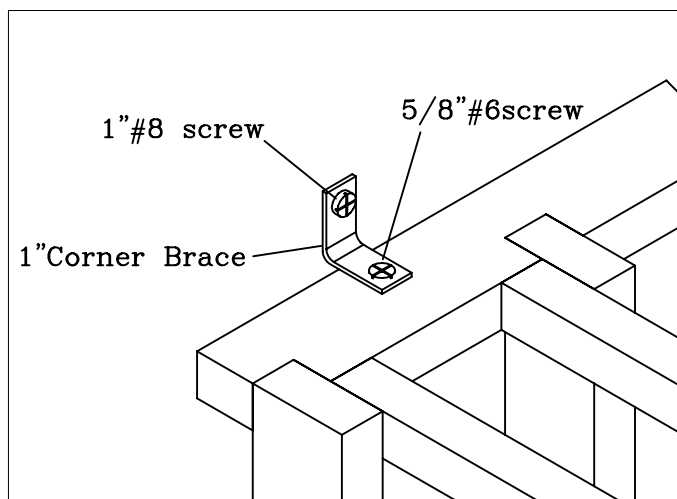
3.



Attach front and side trim of upper qt. round w/ nails.

Final Step

Securing to wall



Note: due to ceiling height restrictions it may be necessary to attach Corner brace on under side of Spacer bar.

Secure rack to wall by attaching 1"corner brace to top back spacer bar (or solid top) of unit. You will have 1 brace on the left and 1 on the right.

If you are securing a kit that is stacked on top of another unit follow the instructions for installing trim kit before attaching to wall.

Attach the corner braces to one of the middle spacer bars, if you have a bin unit or diamond cube unit that will have other racks stacked on top of it.