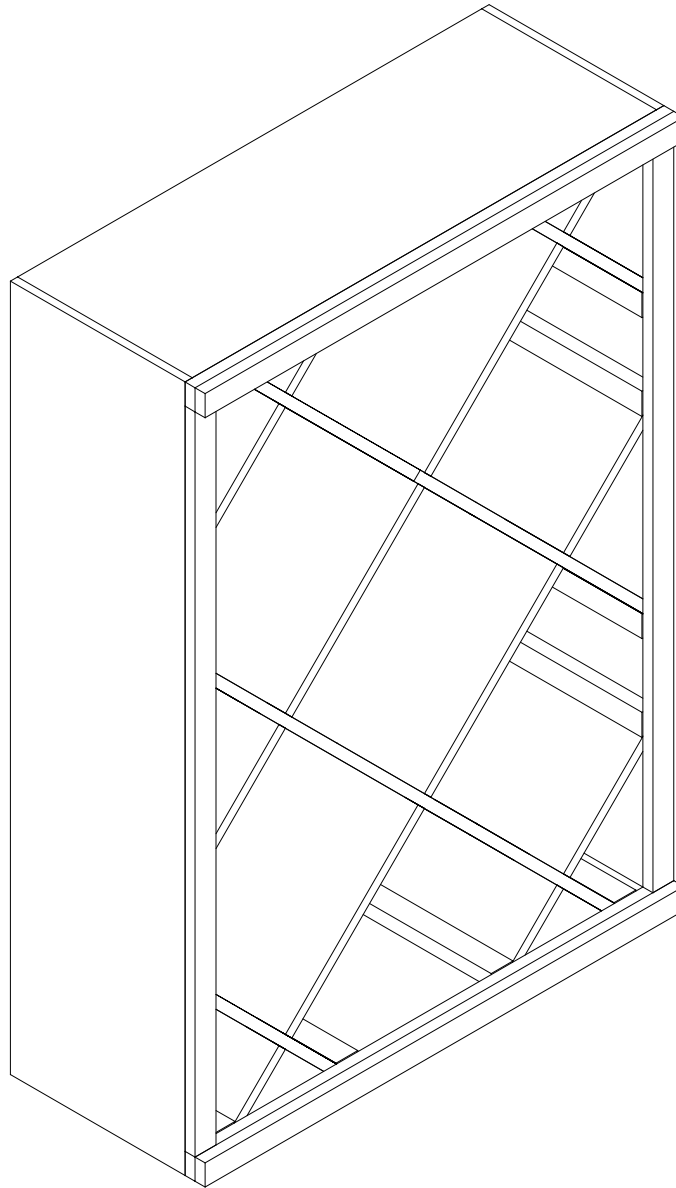


Assembly Manual VIN-xx-DIAM

REV. 01/30/20



Industry Leading Replacement Policy :

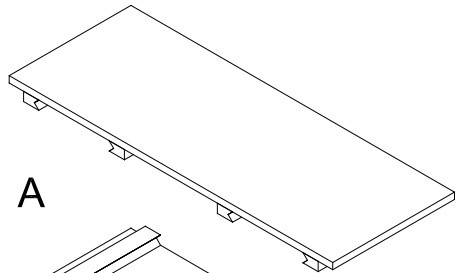
If during transit or assembly you should break or damage any of the parts you may contact us within 90 days of the ship date and we will ship you a replacement part via ground transportation at no additional cost to you.

Wine Cellar Innovations
4575 Eastern Avenue
Cincinnati, Ohio 45226

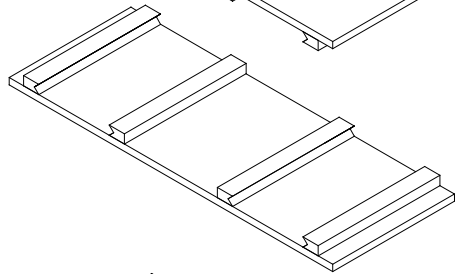
Phone: (800) 229-9813
Fax: (513) 979-5280
www.winecellarinnovations.com

Parts List

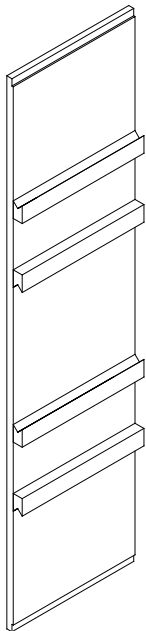
#	qty.	description
A	2	(1 each) Top/ Bottom -- 32 7/8"
B	2	Sides – 47 3/16"
C	4	(2 each) Top/ Bottom Trim – 32 7/8"
D	2	Side Trim – 44 5/16"
E	2	Stackable Beam Supports -- 32 7/8"
F	4	3 Notch X-interlock boards -- 40 1/2"
G	4	1 Notch X-interlock boards – 13 1/2"
	1	Bag of Nails
	1	Patch stick
	1	Screw Driver Bit
	12	1 5/8" #6 screws
	1	Hardware Pack containing 2 1" corner brace 2 plastic anchors 2 1"#8 screws 2 5/8"#6 screws



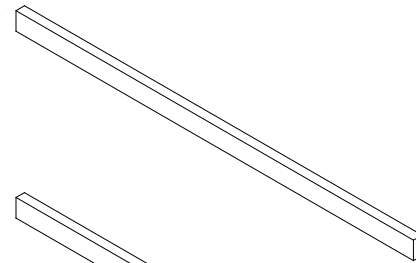
A



B

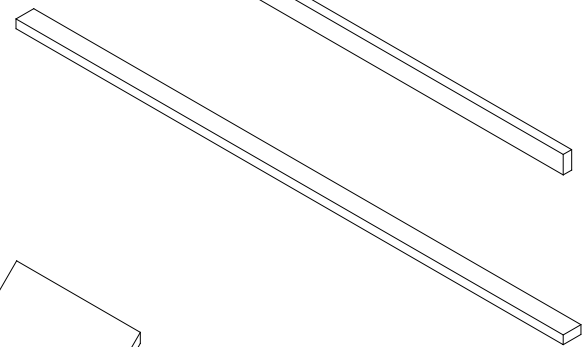


C

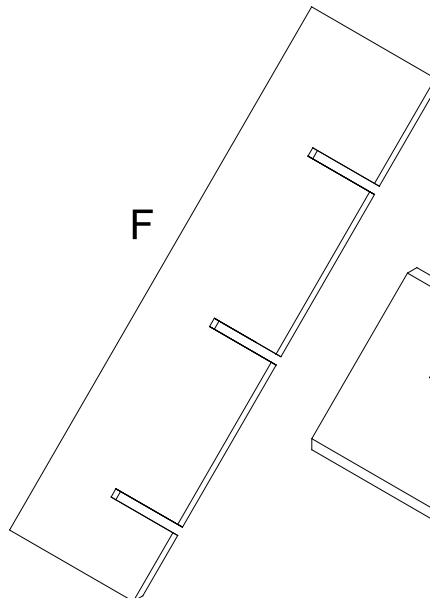


D

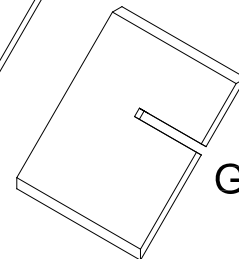
E



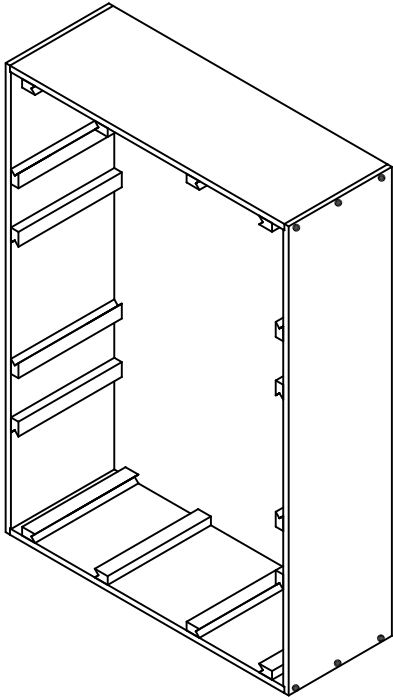
F



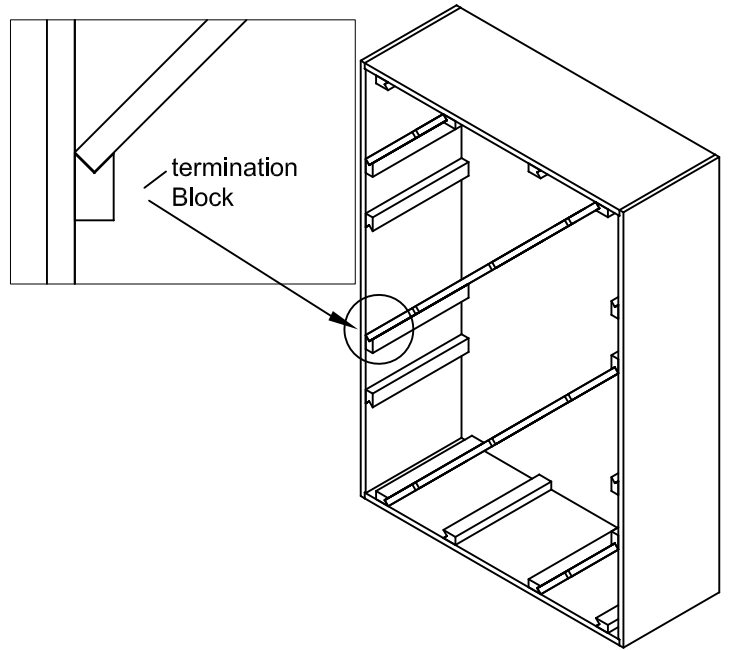
G



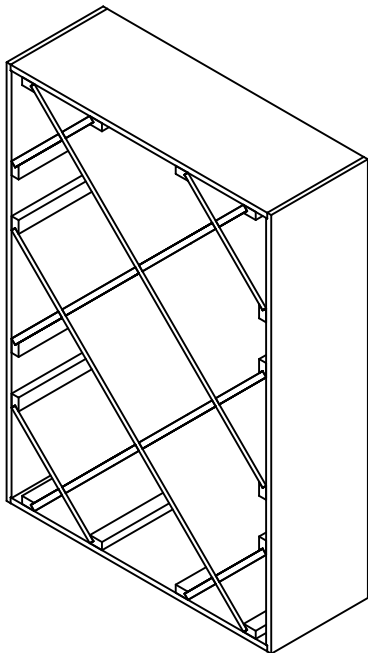
1. Attach the top, bottom, and, sides together with the 1 5/8" #6 screws.



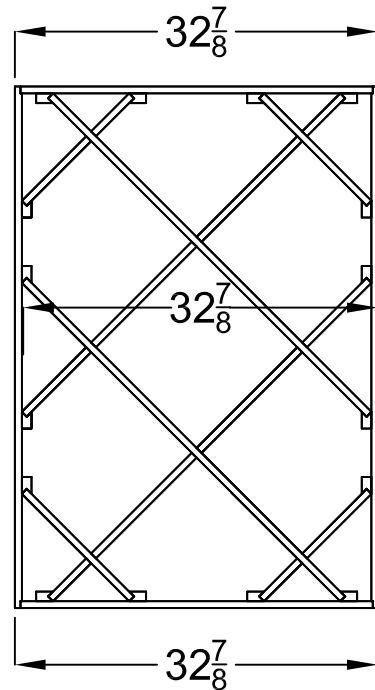
2. Insert 1/2 of interlock boards into termination blocks, notches on interlock boards should face front.



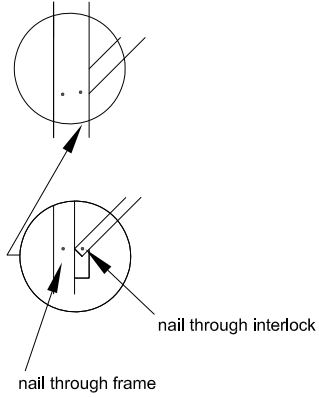
3. Insert remaining interlock boards into termination blocks, notches on interlock boards should face wall.



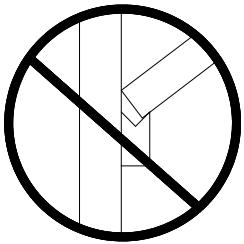
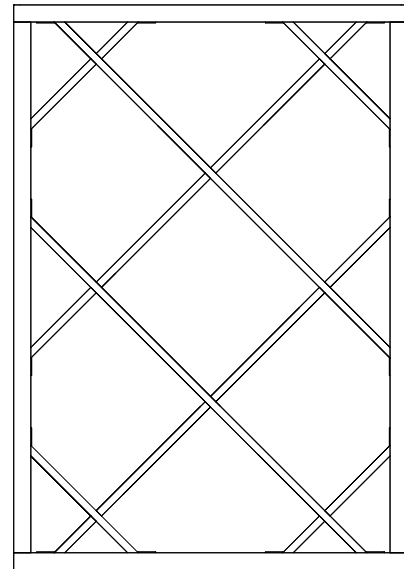
4. Measure top, middle and bottom of Diamond bin, to prevent gaps in trim all three must equal 32 7/8" Be sure to maintain 32 7/8" dimension while attaching trim.



5. Attach Perimeter Trim. At each interlock nail through frame (top, bottom, sides) and interlock.



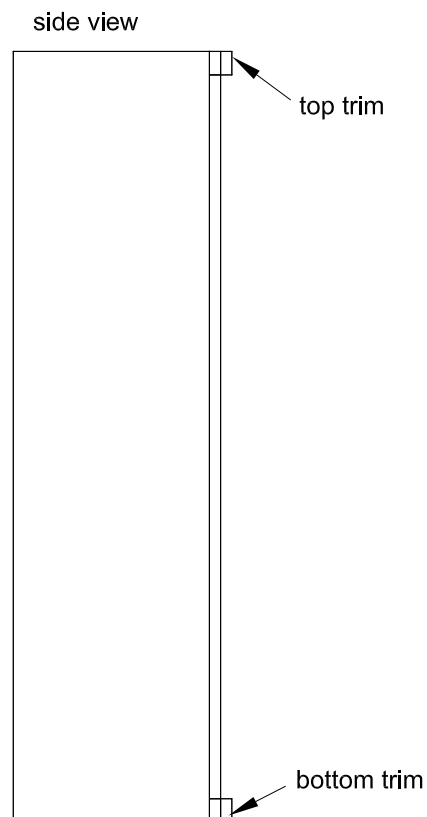
The additional pieces of top/bottom trim will be used in step: 6



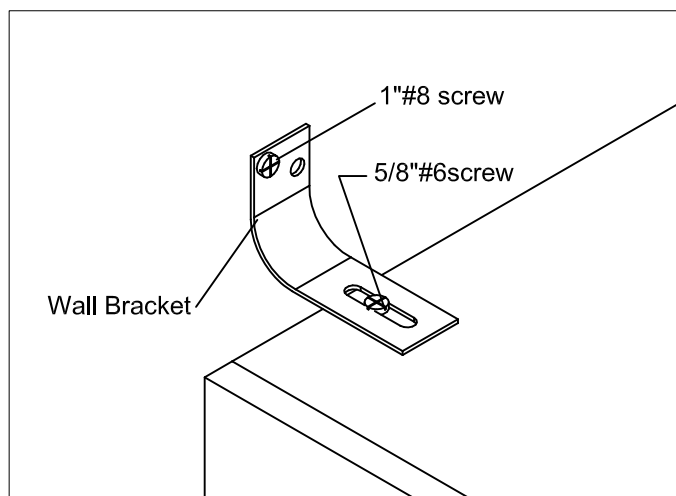
There should be no gaps between interlocks and frame. If gaps occur, measure top, bottom, and middle as in step:4.

6. Attach second top trim piece with nails.

If kit is going to be stacked with another kit follow trim kit instructions before attaching bottom trim. If not then attach bottom trim piece with nails.



Final Step



Secure rack to wall by attaching wall brackets to top rear of unit.
You will have 1 bracket on the left and 1 on the right.

RACK ASSEMBLY IS COMPLETE
Always remove bottles before moving racks.

For more info

Watch Assembly Videos in our Video Gallery at www.WineCellarInnovations.com