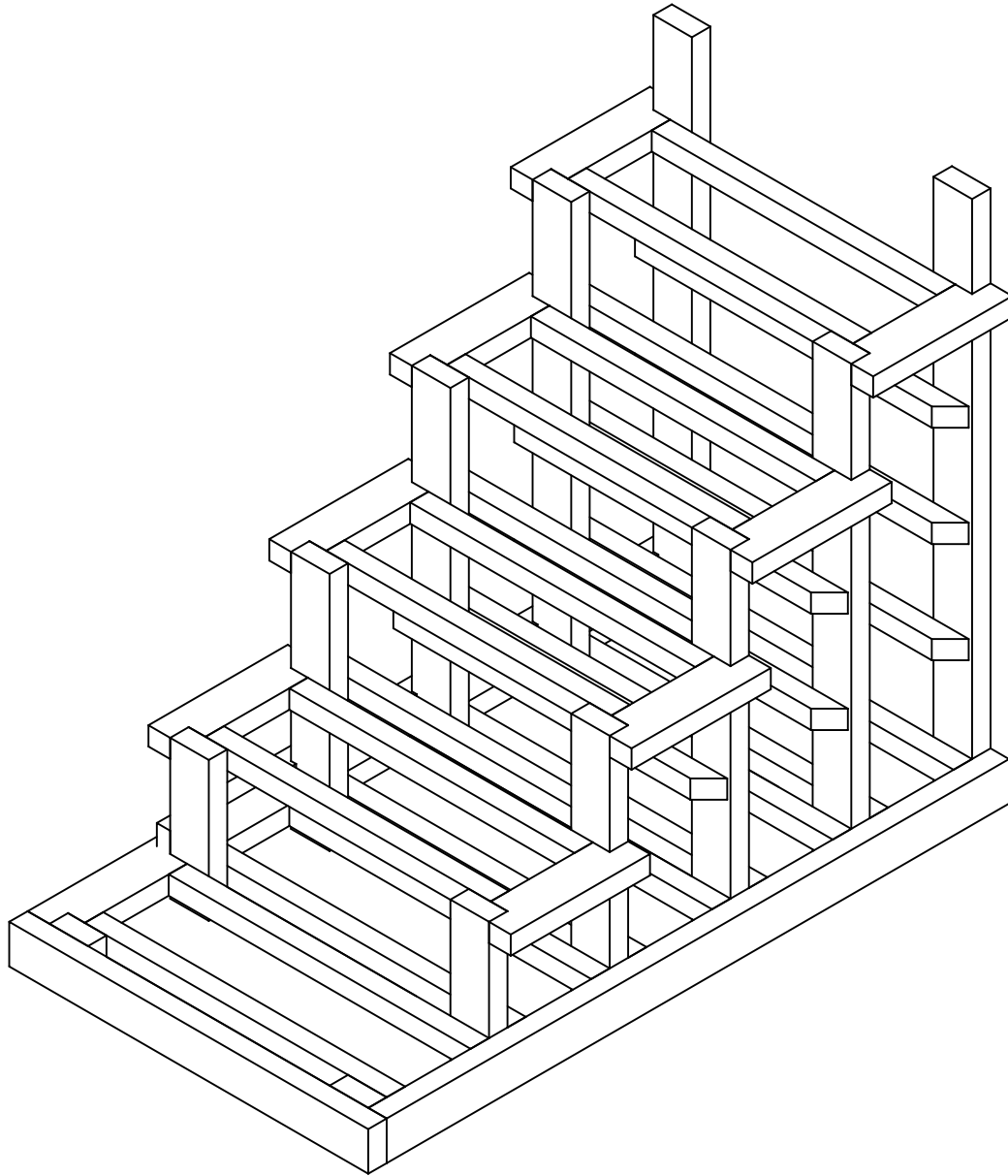


# Vintner Series

Waterfall1 (L)



## Industry Leading Replacement Policy :

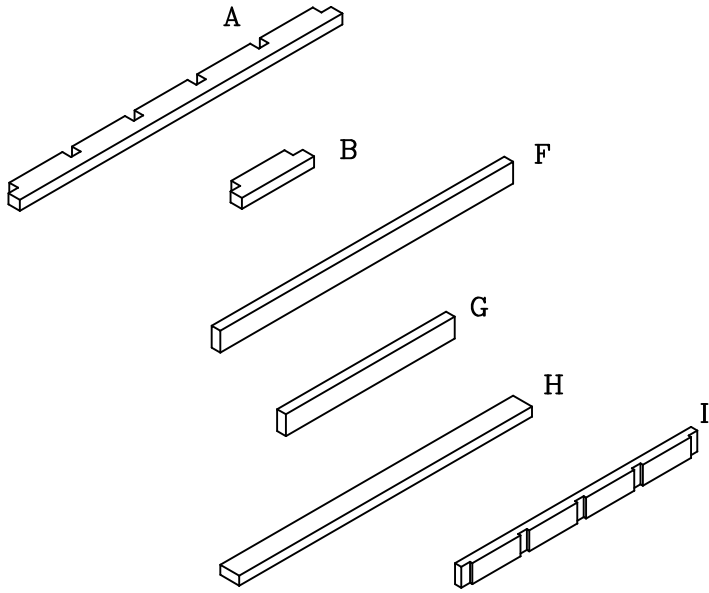
**If during transit or assembly you should break or damage any of the parts you may contact us within 90 days of the ship date and we will ship you a replacement part via ground transportation at no additional cost to you.**

**Wine Cellar Innovations**  
4575 Eastern Avenue  
Cincinnati, Ohio 45226

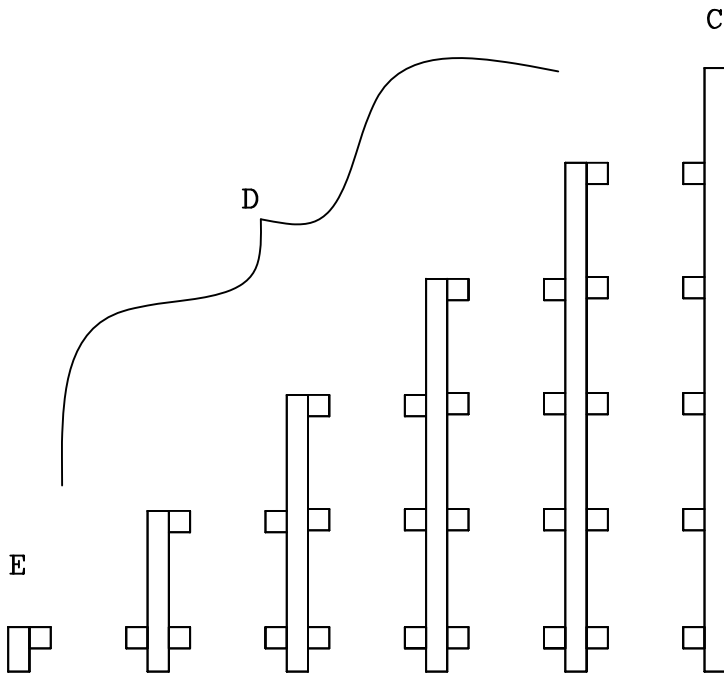
Phone: (800) 229-9813  
Fax: (513) 979-5280  
[www.winecellarinnovations.com](http://www.winecellarinnovations.com)

# Waterfall1 (L)

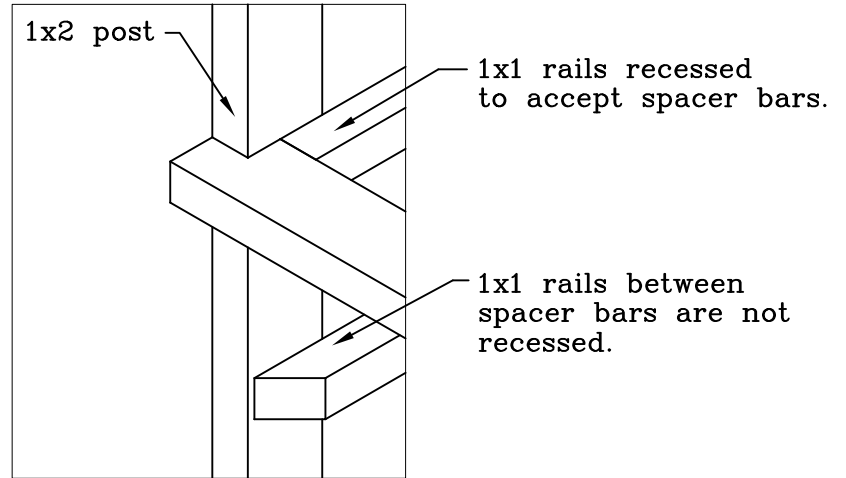
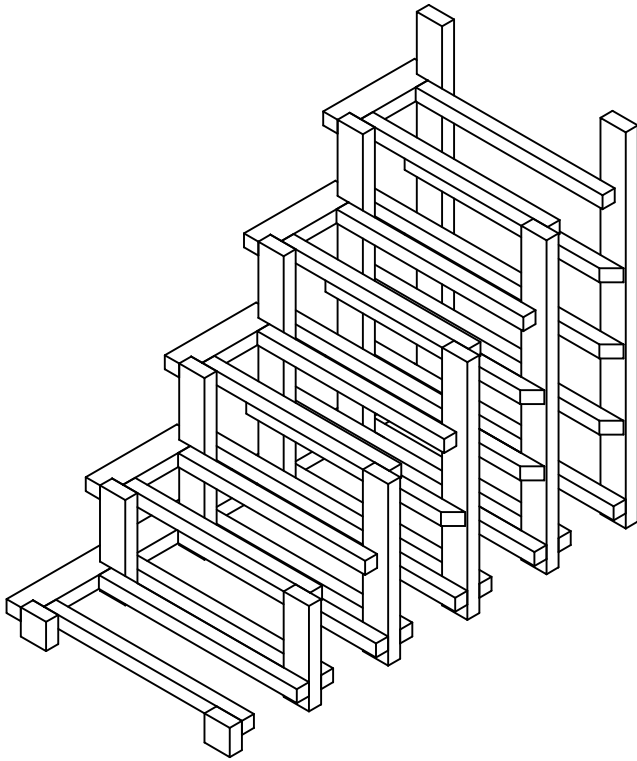
## Parts List



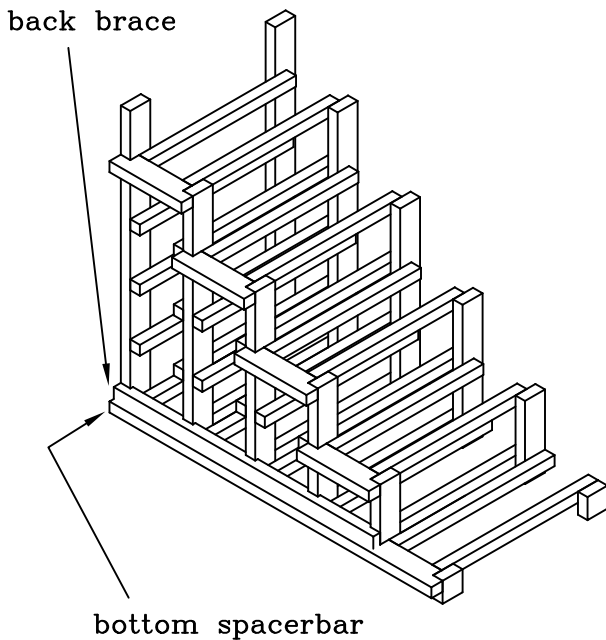
#	qty.	description
A	1	Spacer Bar#1
B	8	Spacer Bar#2
C	1	Right
D	4	Waterfall Commons
E	1	Left
F	1	Front trim
G	1	Side trim
H	2	Stackable Beam Supports
I	1	Bottom Back Brace
*	1	Hardware Pack containing
*	1	Bag of nails
		2 angle brackets
		2 plastic anchors
		2 1" #8 screws
		2 5/8" #6 screws



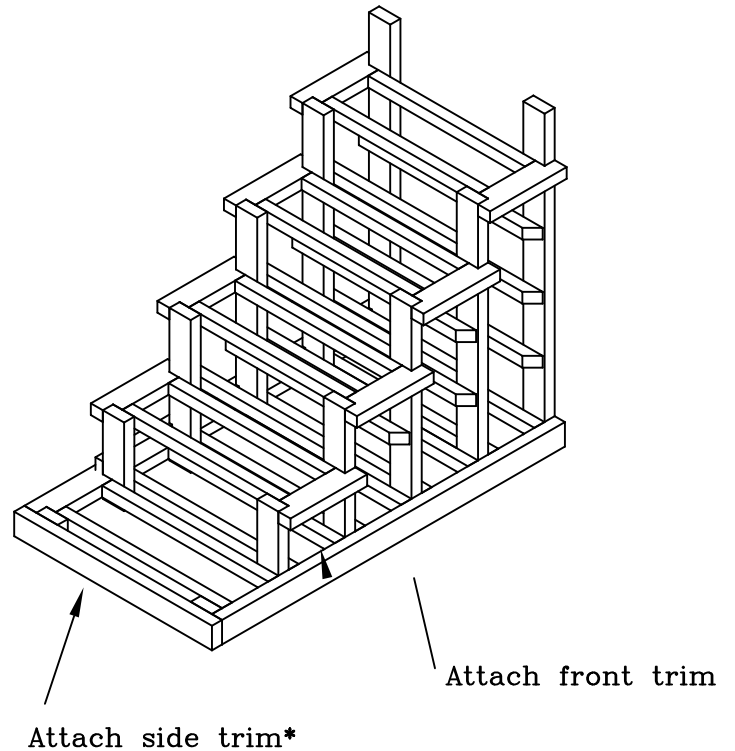
- Attach (1) spacer bar#1 and (4) spacer bar#2's to the back of Right and Left and (4) waterfall common's with nails.  
Nail through each notch in spacer bars into post. This can be done with the provided nails or with a brad nailer.



- Attach 1 Bottom Back Brace above Rear Bottom Spacerbar.



- Attach (4) spacer bar#2 and front trim to racks. Attach side trim only if there are no adjoining racks or decorative moldings being attached.



\* Always remove all bottles before moving Racks.