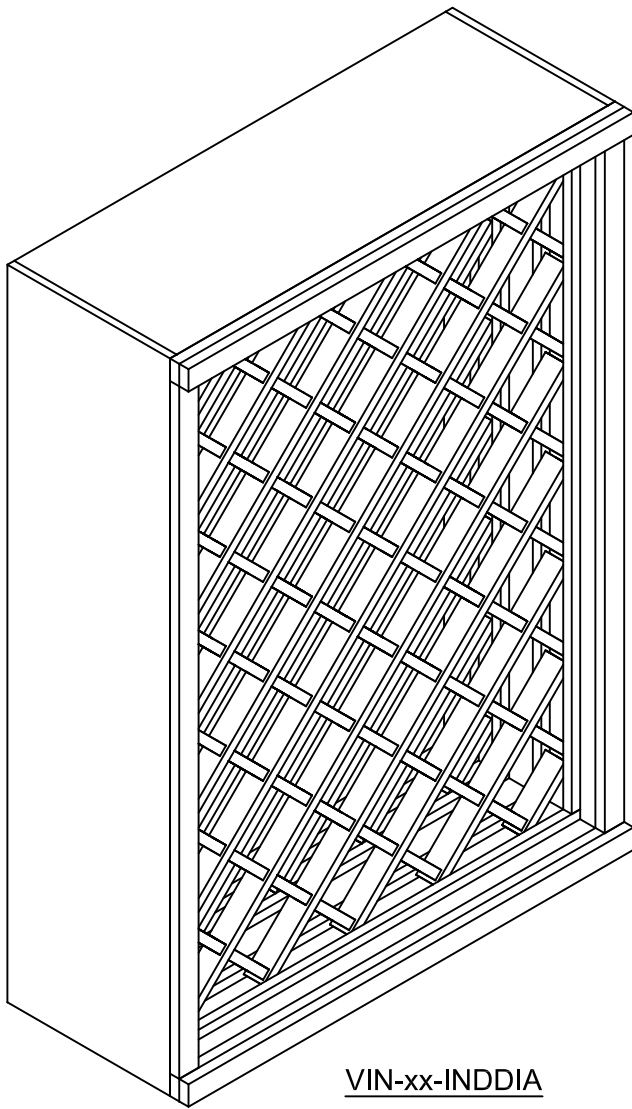


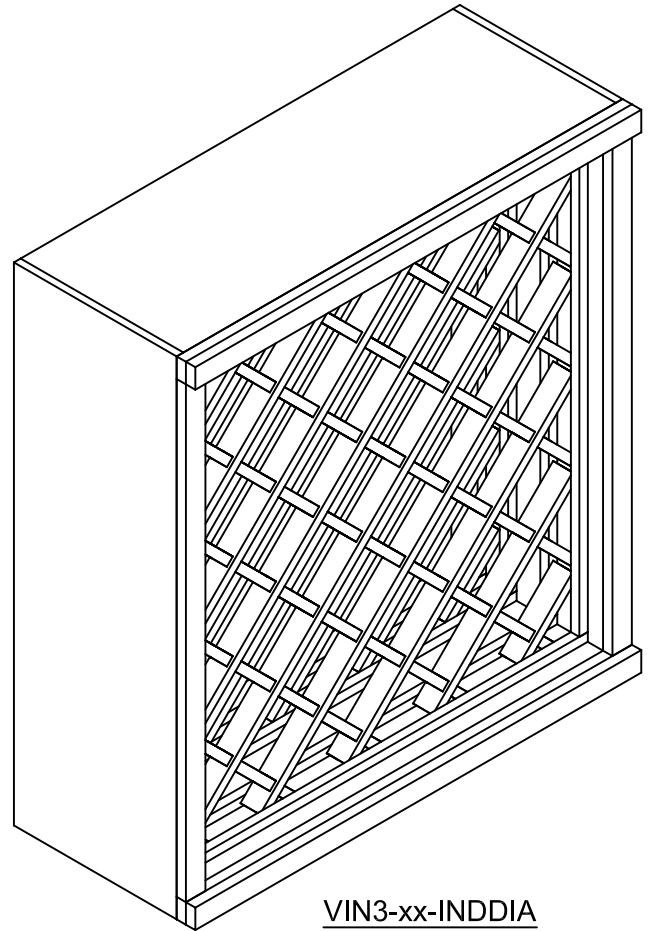
# Assembly Manual VIN3&4-xx-INDDIA

REV. 03/29/19

**\*\* VIN-xx-INDDIA shown throughout manual \*\***



VIN-xx-INDDIA



VIN3-xx-INDDIA

## Industry Leading Replacement Policy :

**If during transit or assembly you should break or damage any of the parts you may contact us within 90 days of the ship date and we will ship you a replacement part via ground transportation at no additional cost to you.**

**Wine Cellar Innovations**  
4575 Eastern Avenue  
Cincinnati, Ohio 45226

Phone: (800) 229-9813  
Fax: (513) 979-5280  
[www.winecellarinnovations.com](http://www.winecellarinnovations.com)

## Parts List

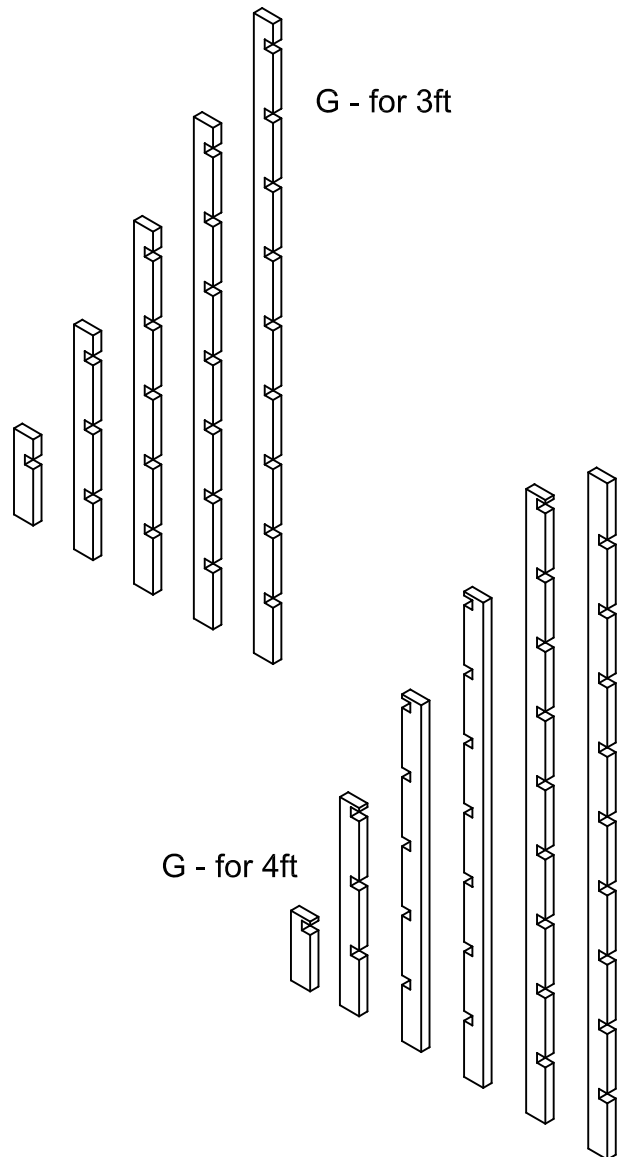
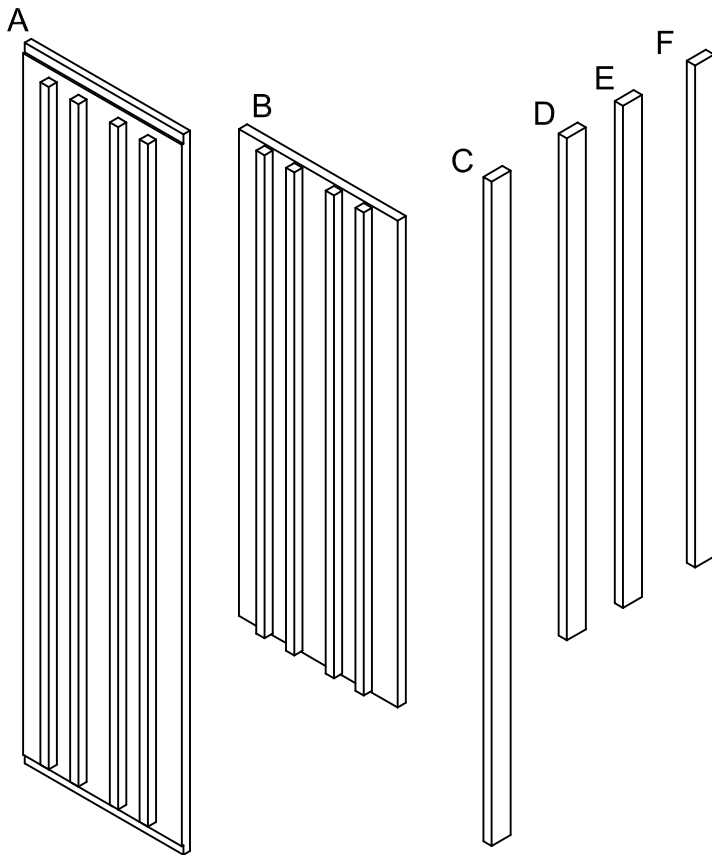
### VIN-xx-INDDIA

#	qty.	description
A	2	Sides -- 47 3/16" x 12"
B	2	Top/ Bottom -- 31 7/8" x 12"
C	2	Side Face Trim -- 44 5/16" x 1 7/16"
D	2	Top and Bottom Face Trim -- 32 7/8" x 1 7/16"
E	2	Top and Bottom Trim -- 32 7/8" x 1 7/16"
F	2	Stackable Beam Supports -- 32 7/8" x 1 7/16"
G		Spacerbar Interlocks:
	8	4 21/32" x 1 7/16"
	8	13 21/32" x 1 7/16"
	8	22 21/32" x 1 7/16"
	8	31 21/32" x 1 7/16"
	8	40 21/32" x 1 7/16"
	8	44 1/16" x 1 7/16"
*	1	Screw driver bit
*	12	1 5/8" #6 Screws
*	20	1 1/4" #8 Screws
*	1	Bag of nails

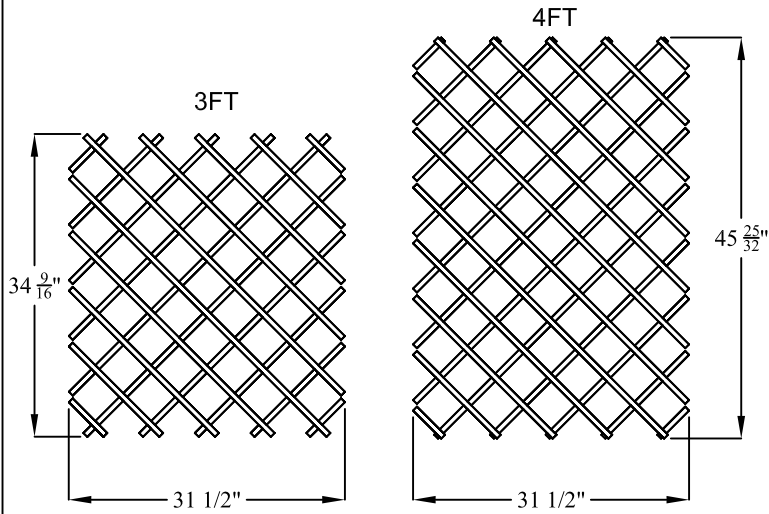
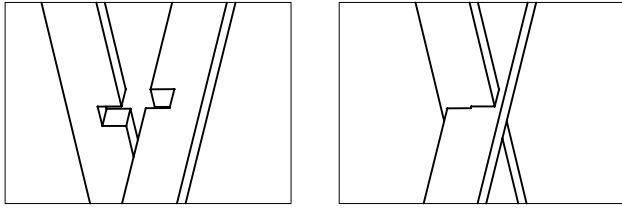
### VIN3-xx-INDDIA

#	qty.	description
A	2	Sides -- 35 15/16" x 12"
B	2	Top/ Bottom -- 31 7/8" x 12"
C	2	Side Face Trim -- 33 1/16" x 1 7/16"
D	2	Top and Bottom Face Trim -- 32 7/8" x 1 7/16"
E	2	Top and Bottom Trim -- 32 7/8" x 1 7/16"
F	2	Stackable Beam Supports -- 32 7/8" x 1 7/16"
G		Spacerbar Interlocks:
	8	5 21/32" x 1 7/16"
	8	14 21/32" x 1 7/16"
	8	23 21/32" x 1 7/16"
	8	32 21/32" x 1 7/16"
	8	41 21/32" x 1 7/16"
*	1	Screw driver bit
*	12	1 5/8" #6 Screws
*	20	1 1/4" #8 Screws
*	1	Bag of nails

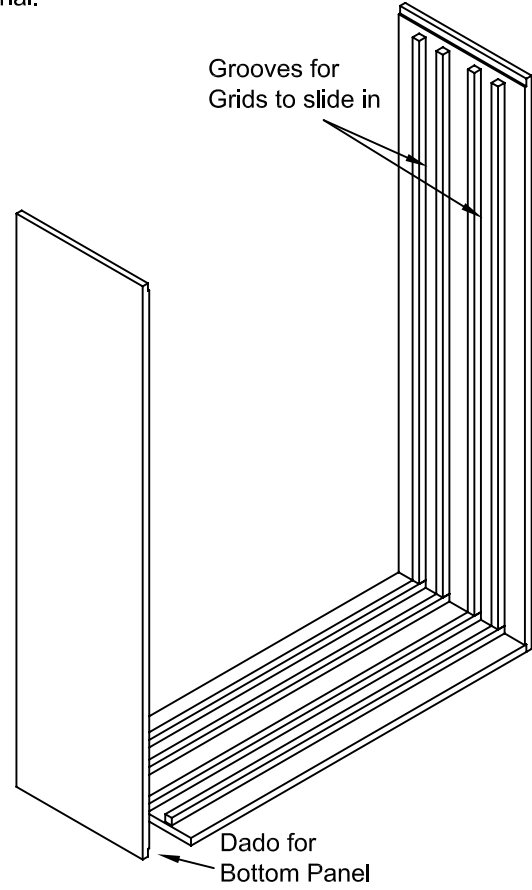
*	1	Hardware Pack containing 2 1" Corner Brace 2 plastic anchors 2 1" #8 screws 2 5/8" #6 screws
---	---	--



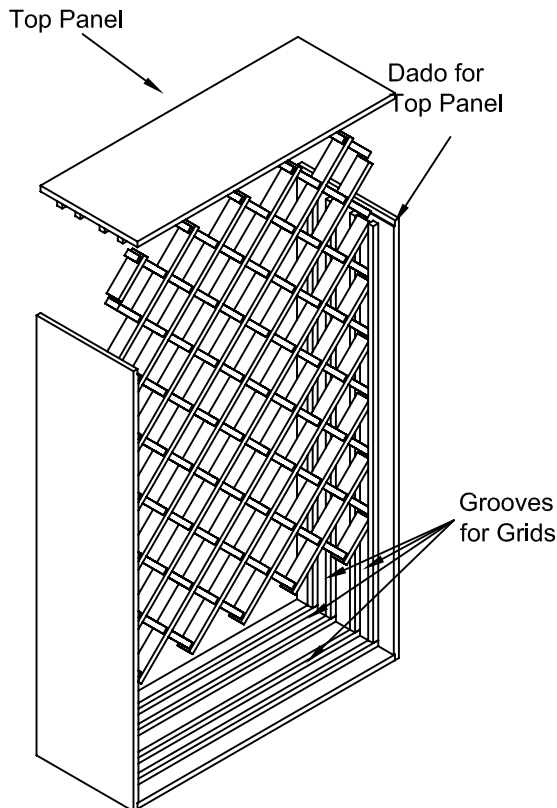
1. Assemble All Spacerbars to form the Bottle Diamond Grids. Do this twice for the Grids behind.



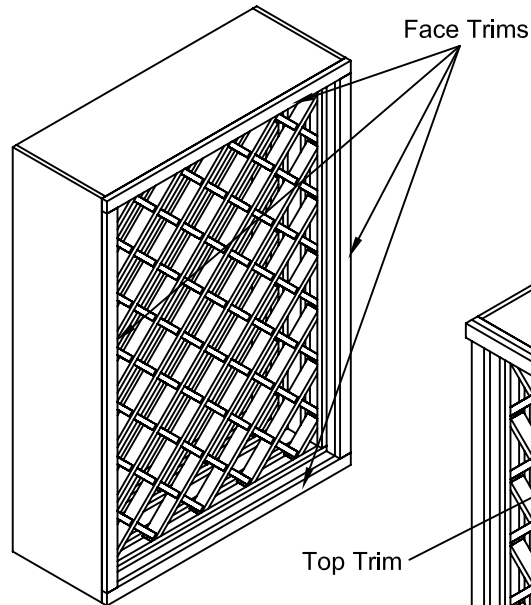
2. Position the Bottom and Side Panels to form a U-Shaped Material.



3. Slide in Both Grids to the corresponding grooves of the side panels. Then cover above using the top panel. Secure properly.



4. a.) Attach Perimeter Face Trims



- b.) And finally, attach the top and bottom trims.

