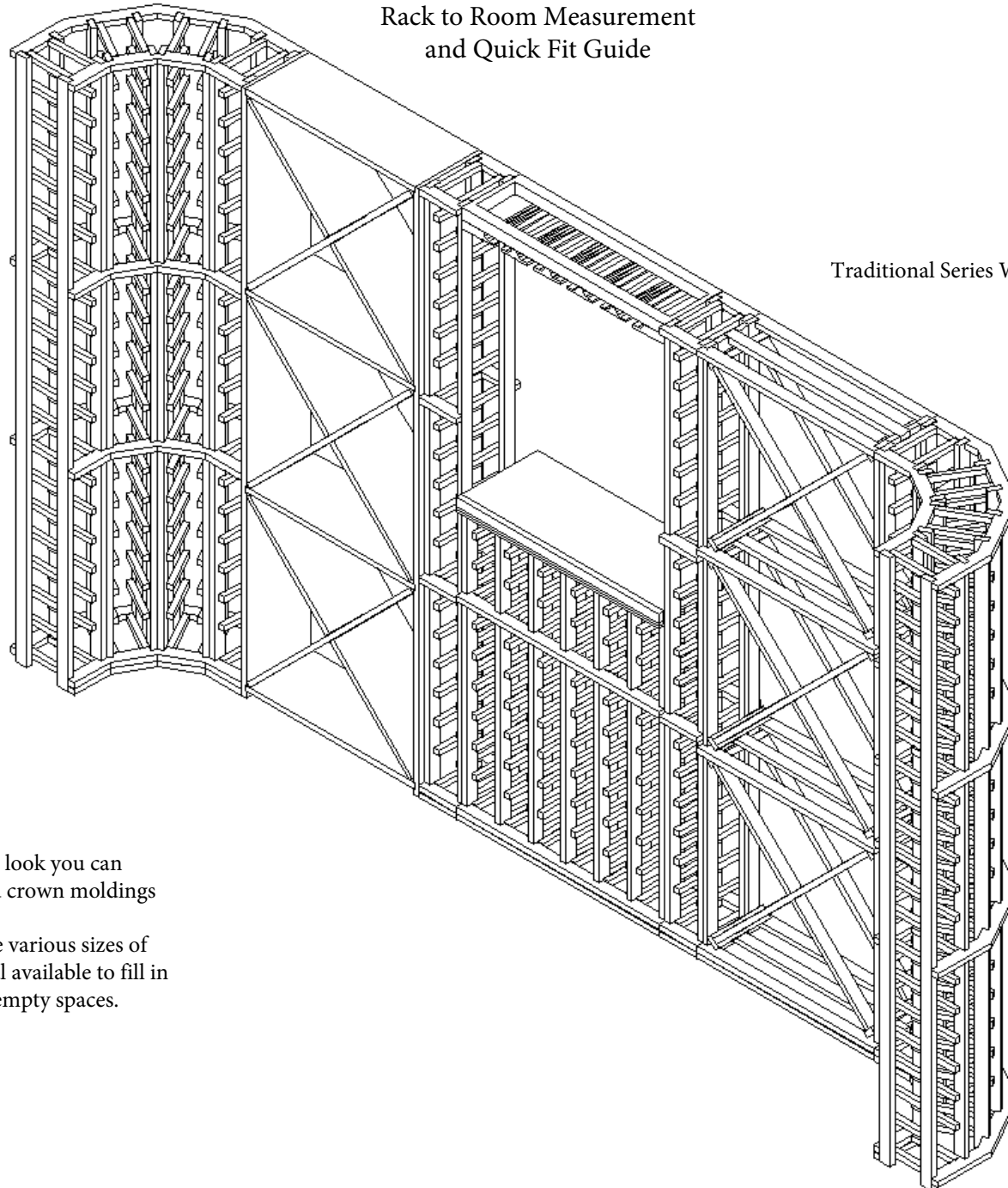




Traditional Series Wine Racks
Rack to Room Measurement
and Quick Fit Guide



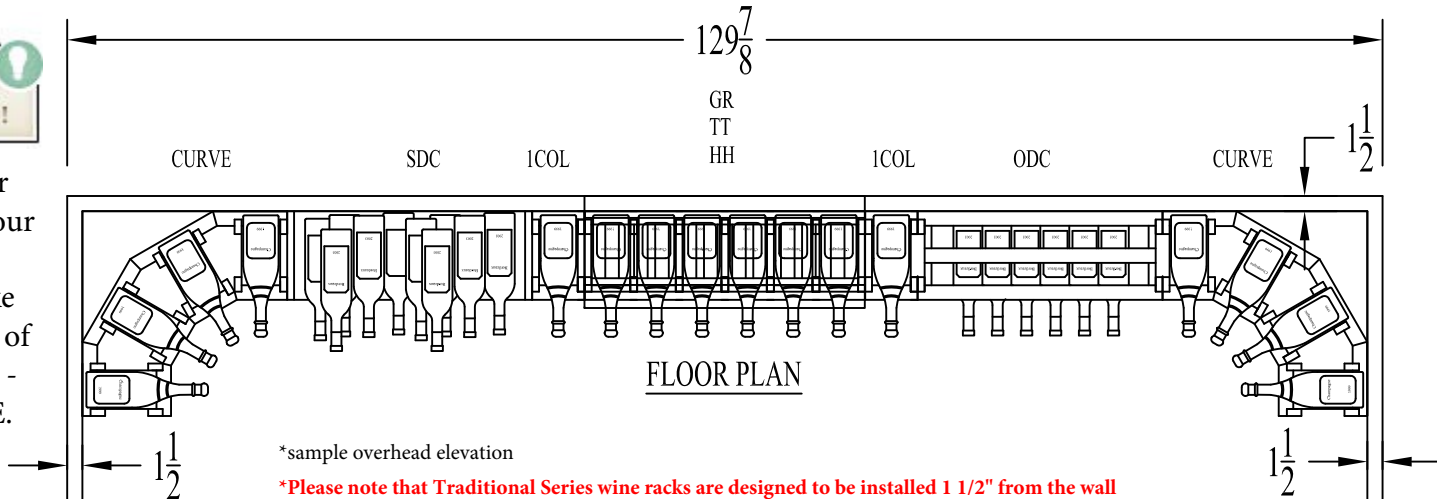
Traditional Series Wine Racks are 6Ft in Height

To finish the look you can
add base and crown moldings
to the racks.
We also have various sizes of
filler material available to fill in
any gaps or empty spaces.

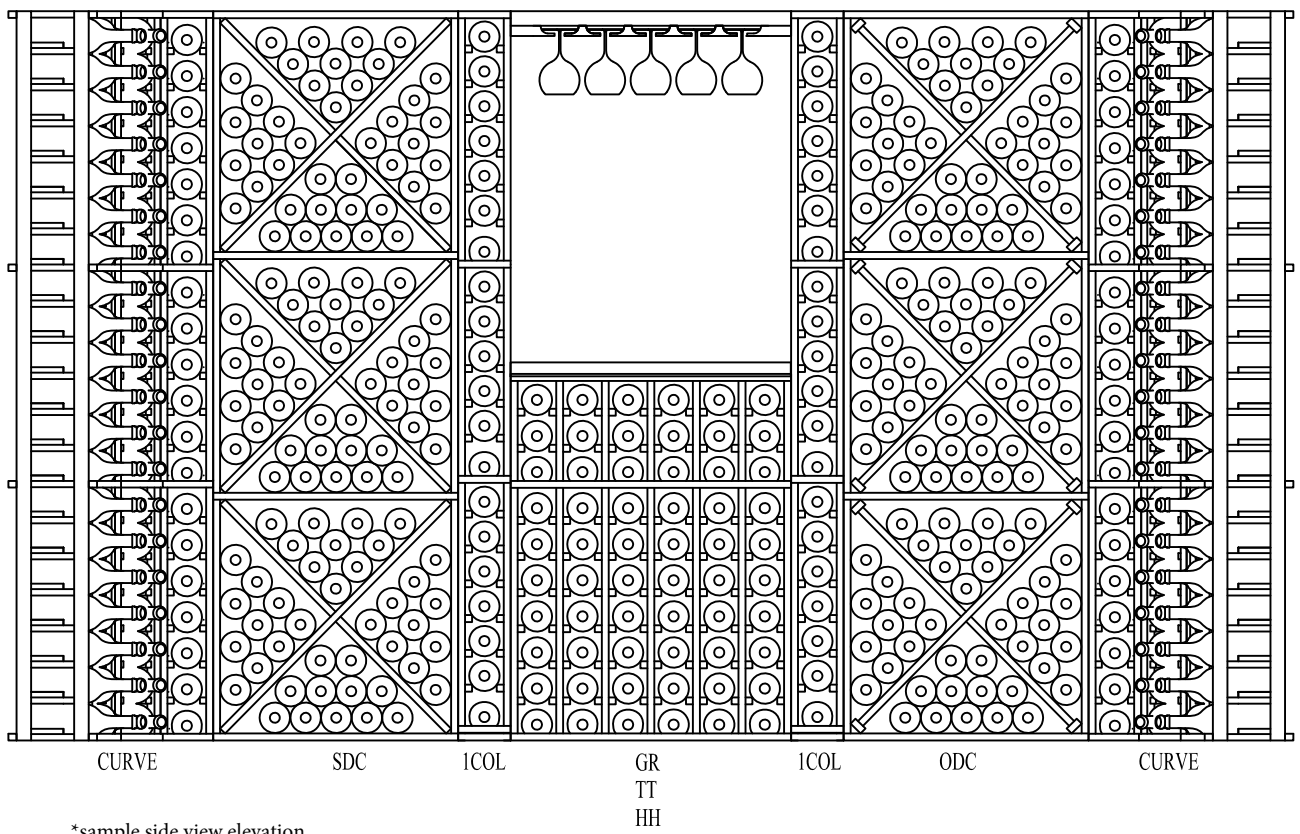
Sample Wall Layout

FREE DESIGN SERVICE!
CONTACT US NOW!

Supply us with your room dimensions & our design staff can customize a plan like this for you with any of our wine rack series - FREE OF CHARGE.



FLOOR PLAN



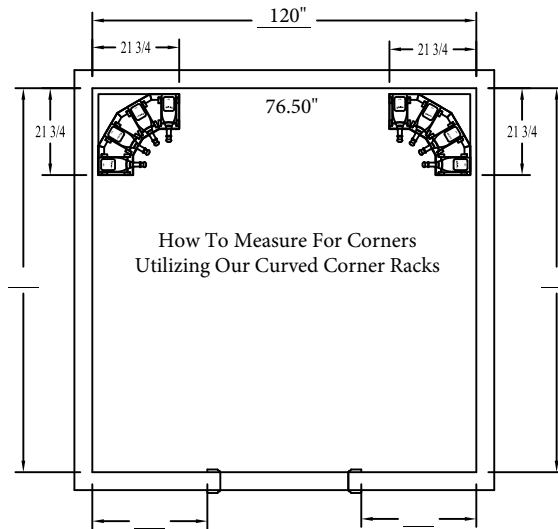
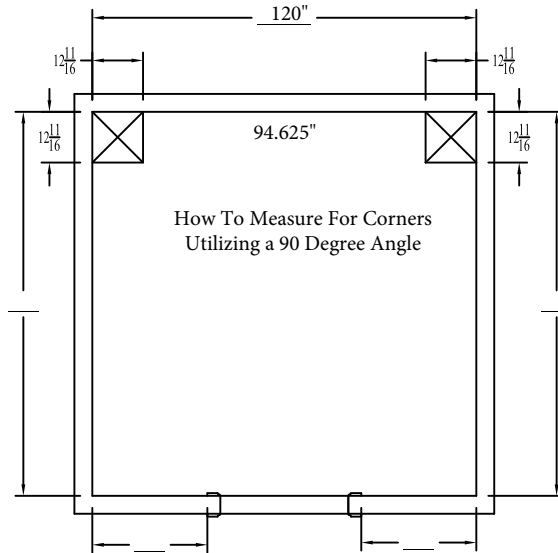
*sample side view elevation

ELEVATION

Quick Sample Room Overview and Rack Specs Guide

Supply us with your room dimensions & our design staff can customize a plan like this for you with any of our wine rack series - FREE OF CHARGE.

FREE DESIGN SERVICE!
CONTACT US NOW!



TRADITIONAL KITS	WIDTH
1 COL	5 3/16"
2 COL	9 11/16"
3 COL	14 3/16"
4 COL	18 11/16"
5 COL	23 3/16"
HALF-HEIGHT INDS	27 11/16"
MAGNUM	6 1/16"
RECTANGLE BIN CASE RACK FOR 180 BOTTLES	26 5/16"
OPEN DIAMOND CUBE	26 5/16"
RECTANGLE BIN/CASE STORAGE BELOW TABLETOP	26 5/16"
SOLID DIAMOND CUBE	24 3/16"
TRIANGULAR DISPLAY SHELF	8 15/16"
GLASS RACK ABOVE HALF HEIGHT	27 11/16"
GLASS RACK ABOVE RBWC/OPEN DIAMOND BIN	26 5/16"
ARCHWAY ABOVE RBWC/OPEN DIAMOND BIN	26 5/16"

How To Begin

1. Subtract your corner racks from your overall wall lengths to establish how much space you have remaining.
2. Fill in the remaining space available with your choice of racking selections. For your convenience we have a short list of each rack's width listed above, as well as all the individual rack elevations on all the following pages, which are measured to scale for your convenience.
3. Remember we offer matching filler material to allow you to fill in any misc. gaps you may have left over.

Individual Wine Rack Elevations

Scale 1/4" = 1'

