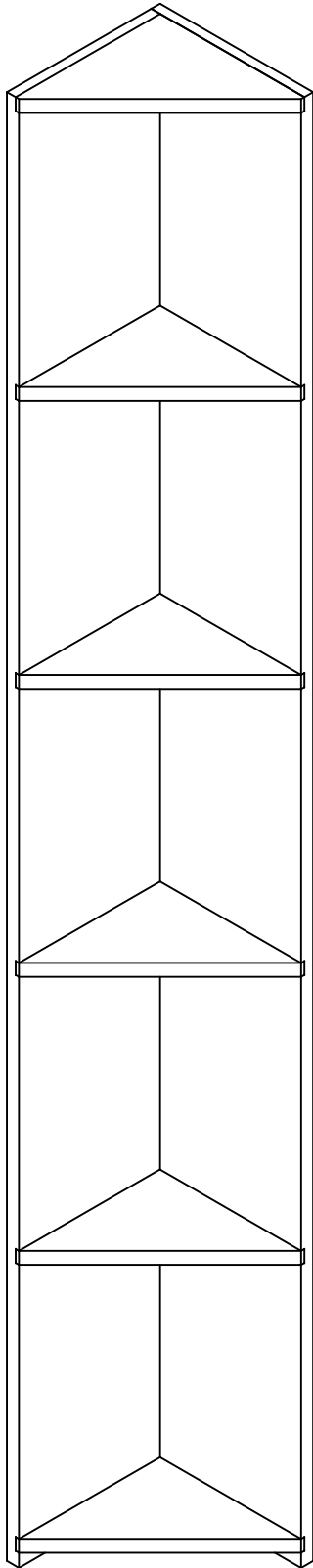


# Assembly Manual

## TR-xx-TRIANGLE and RP-xx-TRIANGLE



TR-xx-TRIANGLE  
RP-xx-TRIANGLE

### Industry Leading Replacement Policy :

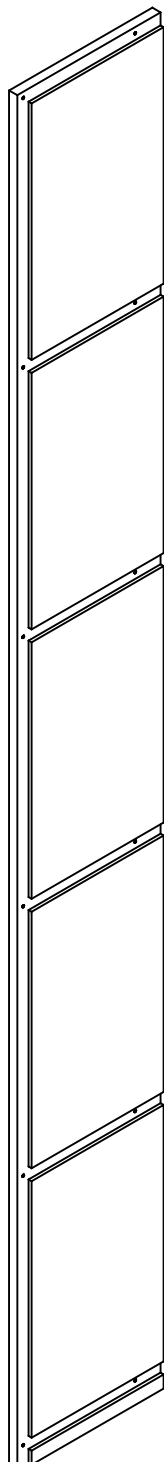
**If during transit or assembly you should break or damage any of the parts you may contact us within 90 days of the ship date and we will ship you a replacement part via ground transportation at no additional cost to you.**

**Wine Cellar Innovations**  
4575 Eastern Avenue  
Cincinnati, Ohio 45226

Phone: (800) 229-9813  
Fax: (513) 979-5280  
[www.winecellarinnovations.com](http://www.winecellarinnovations.com)

## Parts List

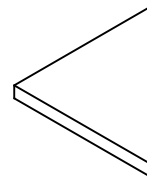
#	qty.	description
A	1	Side - 72"
B	1	Side - 72"
C	6	Shelves - 8 1/4" x 8 1/4"
*	1	Screw driver bit
*	20	1 5/8" #6 screws
*	1	Hardware Pack containing 1 angle brackets 1 plastic anchors 1 1"#8 screws 1 5/8"#6 screws



A

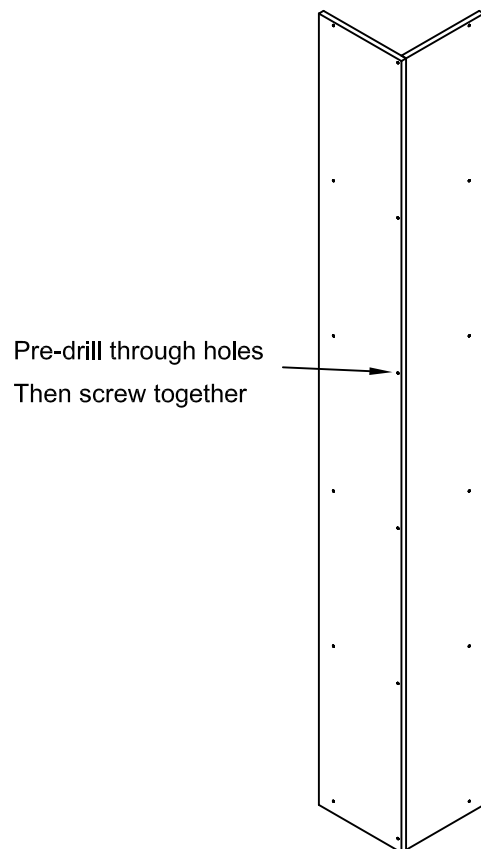
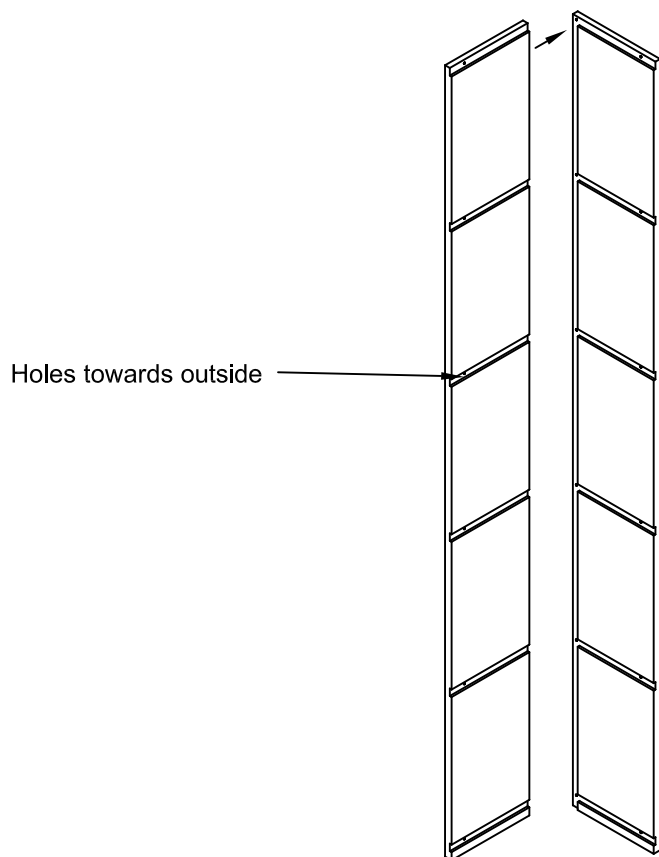


B

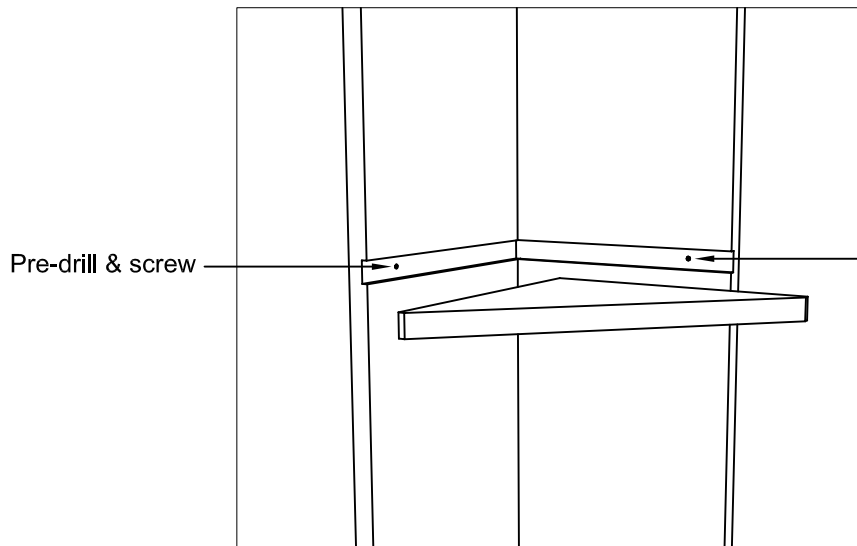


C

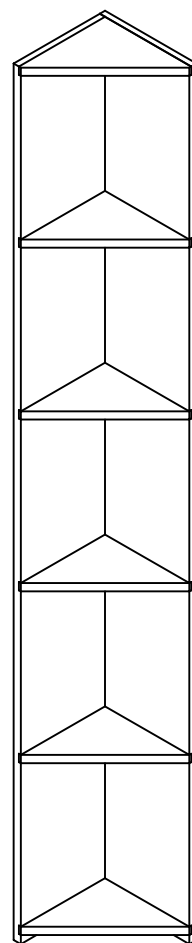
1. Place side B into the groove of side A, making sure the holes on side B are to the outside. Pre-drill 1/16" holes in the edge of side B and attach side A to side B with 1 5/8" # 6 screws.



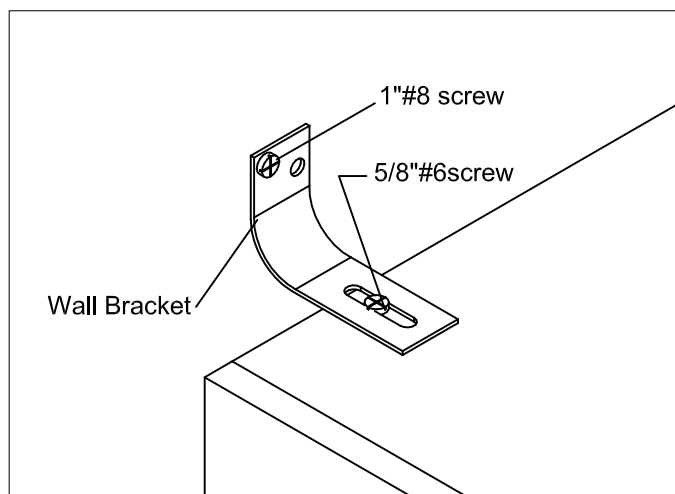
2. Align shelves in grooves and pre-drill shelves with a 1/16" drill bit. Then attach using 1 5/8" # 6 screws.



Pre-drill & screw



## Final Step



Secure rack to wall by attaching wall brackets to top rear of unit.  
You will have 1 bracket on the left and 1 on the right.

**RACK ASSEMBLY IS COMPLETE**  
Always remove bottles before moving racks.

For more info

Watch Assembly Videos in our Video Gallery at [www.WineCellarInnovations.com](http://www.WineCellarInnovations.com)