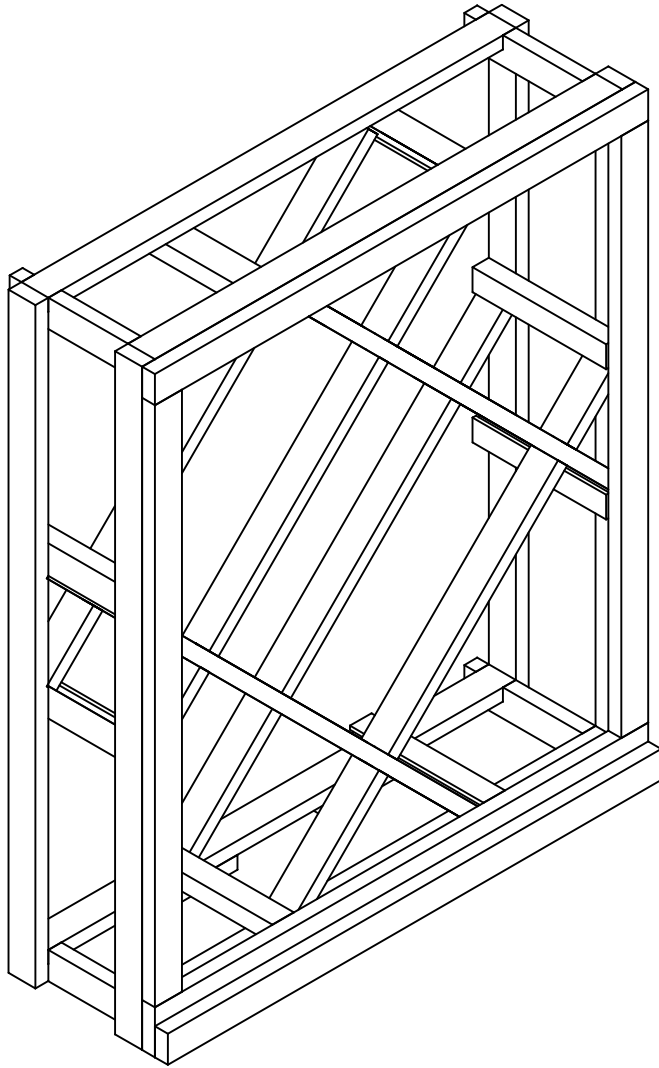


Assembly Manual

TR-xx-ODIAM and RP-xx-ODIAM



TR-xx-ODIAM
RP-xx-ODIAM

Industry Leading Replacement Policy :

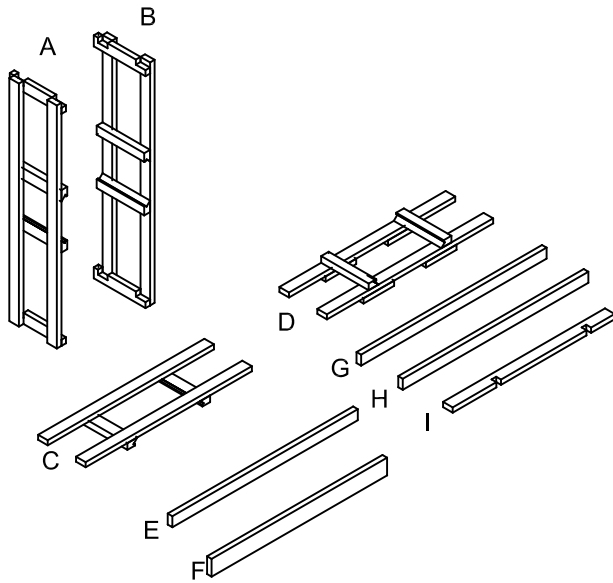
If during transit or assembly you should break or damage any of the parts you may contact us within 90 days of the ship date and we will ship you a replacement part via ground transportation at no additional cost to you.

Wine Cellar Innovations
4575 Eastern Avenue
Cincinnati, Ohio 45226

Phone: (800) 229-9813
Fax: (513) 979-5280
www.winecellarinnovations.com

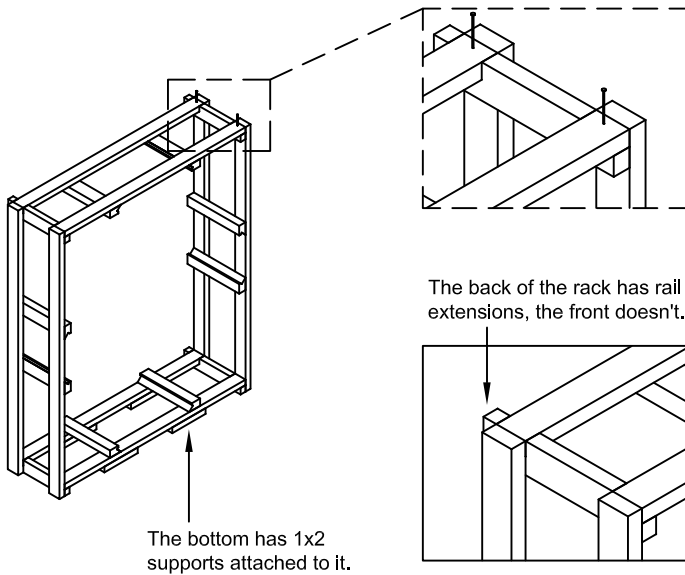
ODIAM

Parts List

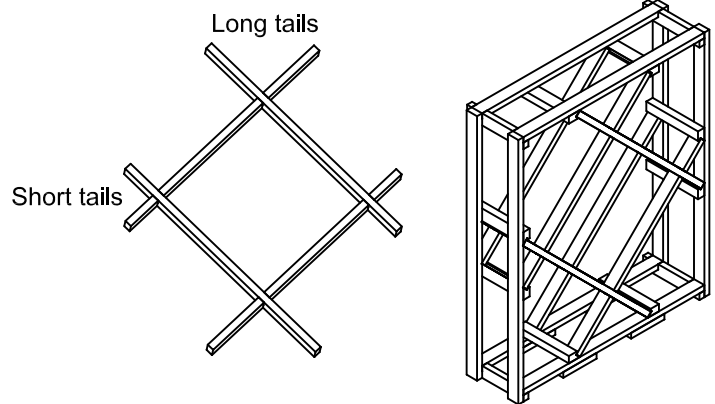


| # | qty. | description |
|---|------|--|
| A | 1 | Left - 31 9/16 |
| B | 1 | Right - 31 9/16 |
| C | 1 | Top - 7 1/8 x 24 15/16 |
| D | 1 | Bottom - 7 1/8 x 24 15/16 |
| E | 1 | Top trim - 26 5/16 |
| F | 1 | Bottom trim - 26 5/16 |
| G | 1 | Square Base - 26 5/16 |
| H | 2 | Side trim - 27 13/16 |
| I | 8 | Interlocks - 24 9/32 |
| * | 1 | Bag of nails |
| * | 1 | Hardware Pack containing 2 L Bracket 2 plastic anchors 2 1"#8 screws 2 5/8"#6 screws |

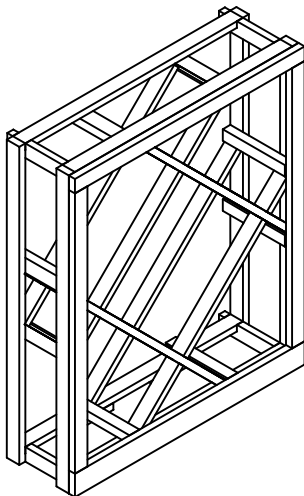
1. Nail through the top into each notch of the sides. Repeat for the bottom.
NOTE: The back of the rack has rail extensions, the front does not.



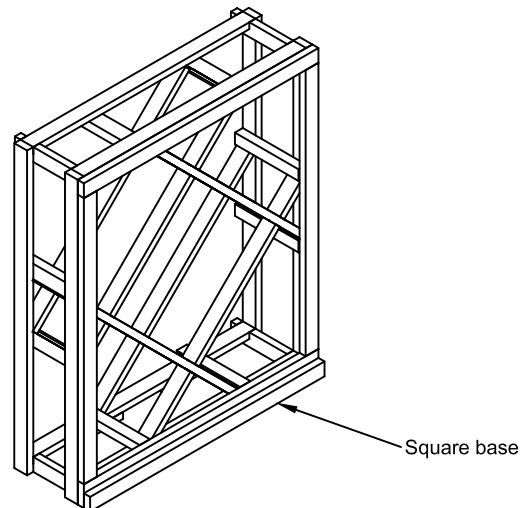
2. Assemble a grid on the floor as shown being sure to nail through each intersection. Notice all short tails will face towards the sides, the long tails towards the top and bottom. Repeat for the other grid. Then insert the grids into the box.



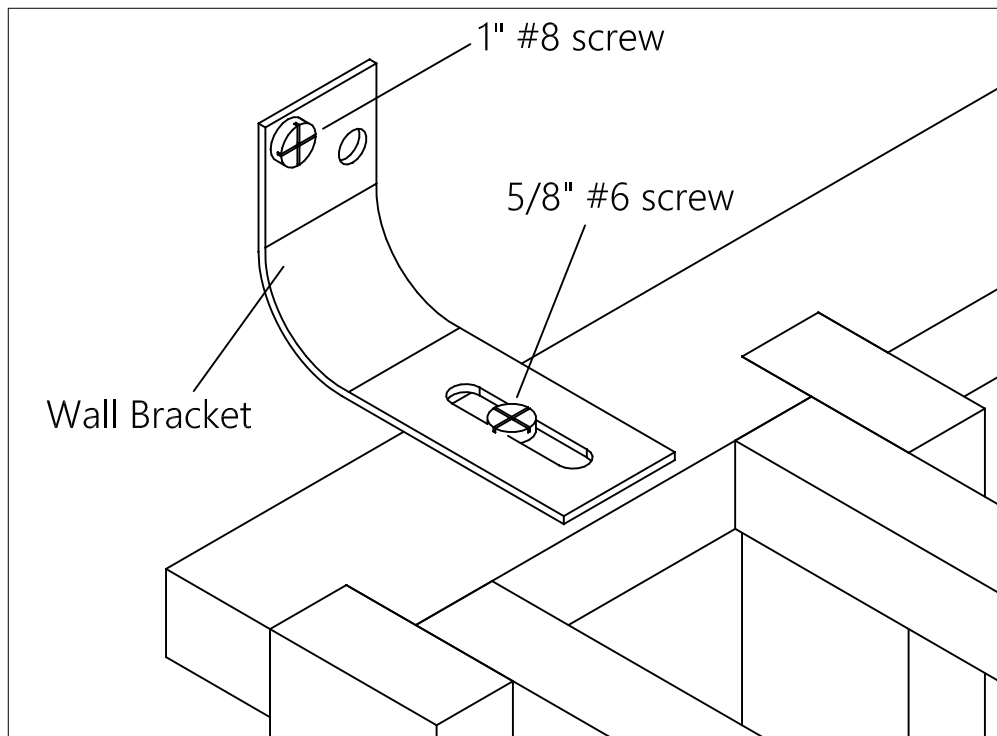
3. Nail top, bottom and side trim to the front of the diamond bin. Note: Bottom trim is taller than top trim.



4. Attach square base.
NOTE: Square base will not be used if additional base kit was purchased.



Final Step



Secure rack to wall by attaching wall brackets to top back spacer bar.
You will have 1 bracket on the left and 1 on the right.

RACK ASSEMBLY IS COMPLETE.
Always remove bottles before moving racks.

For more info
Watch Assembly Videos in our Video Gallery at www.WineCellarInnovations.com