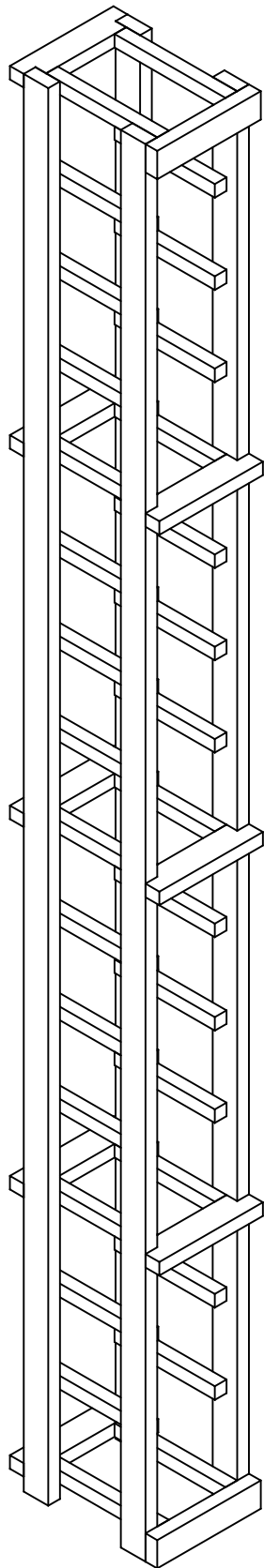


# Assembly Manual

## TR-xx-MAG1 and RP-xx-MAG1



TR-xx-MAG1  
RP-xx-MAG1

### Industry Leading Replacement Policy :

If during transit or assembly you should break or damage any of the parts you may contact us within 90 days of the ship date and we will ship you a replacement part via ground transportation at no additional cost to you.

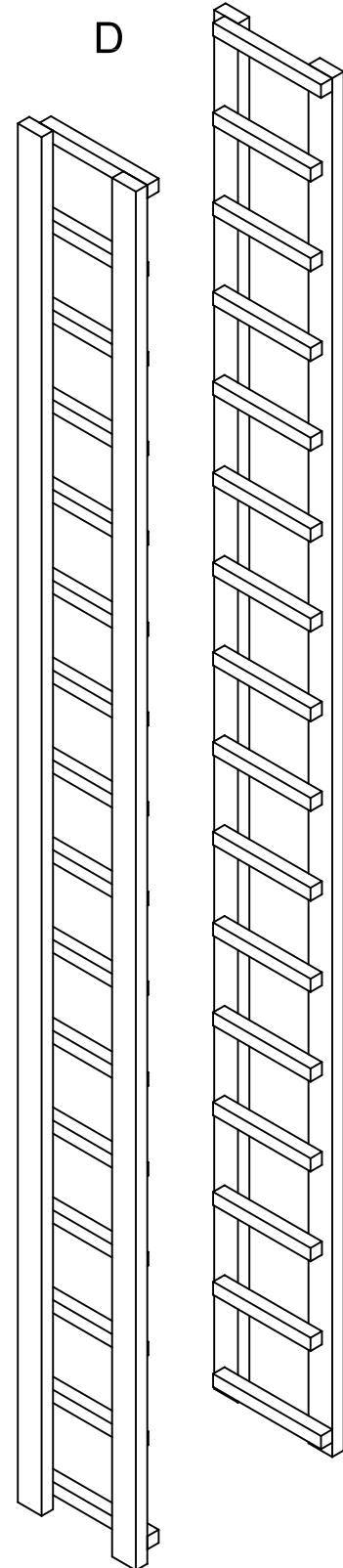
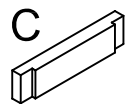
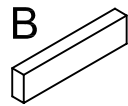
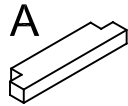
**Wine Cellar Innovations**  
4575 Eastern Avenue  
Cincinnati, Ohio 45226

Phone: (800) 229-9813  
Fax: (513) 979-5280  
[www.winecellarinnovations.com](http://www.winecellarinnovations.com)

# Parts List

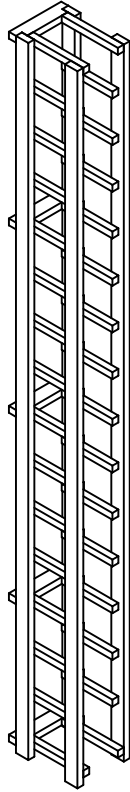
## TR-xx-MAG1, RP-xx-MAG1

| # | Qty. | Description   |
|---|------|---|
| A | 8    | Spacer Bars - 6 1/16  |
| B | 2    | Square Base/Crown - 6 1/16  |
| C | 2    | Back brace - 6 1/16   |
| D | 2    | End Racks - 72  |
| * | 1    | Bag of nails  |
| * | 1    | Hardware Pack containing<br>2 angle brackets<br>2 plastic anchors<br>2 1"#8 screws<br>2 3/4"#6 screws |



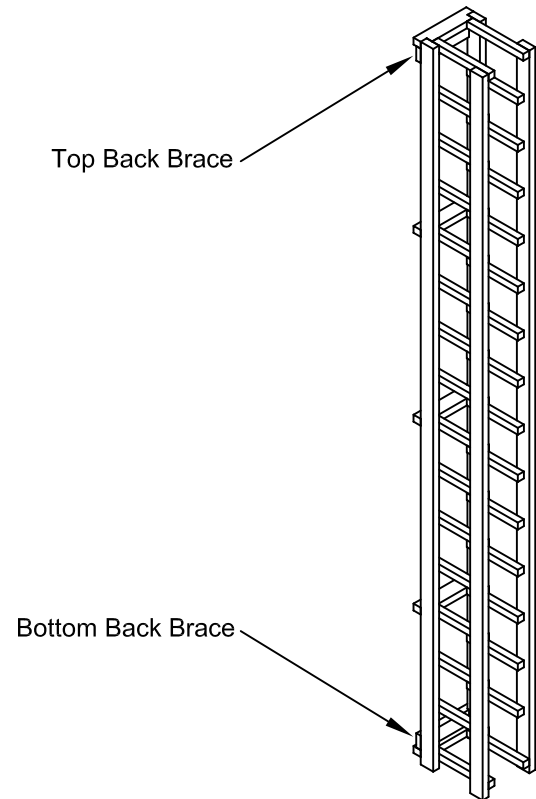
### Step 1

Attach (5) spacer bars to back of racks with nails at the locations shown below.



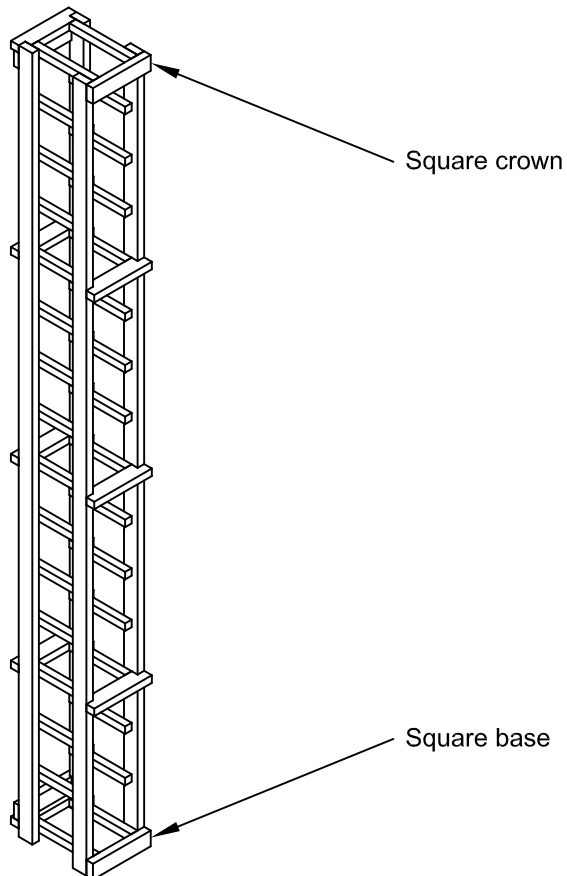
### Step 2

Attach (1) Back brace below Top spacer bar and another Back brace on top of Bottom spacer bar

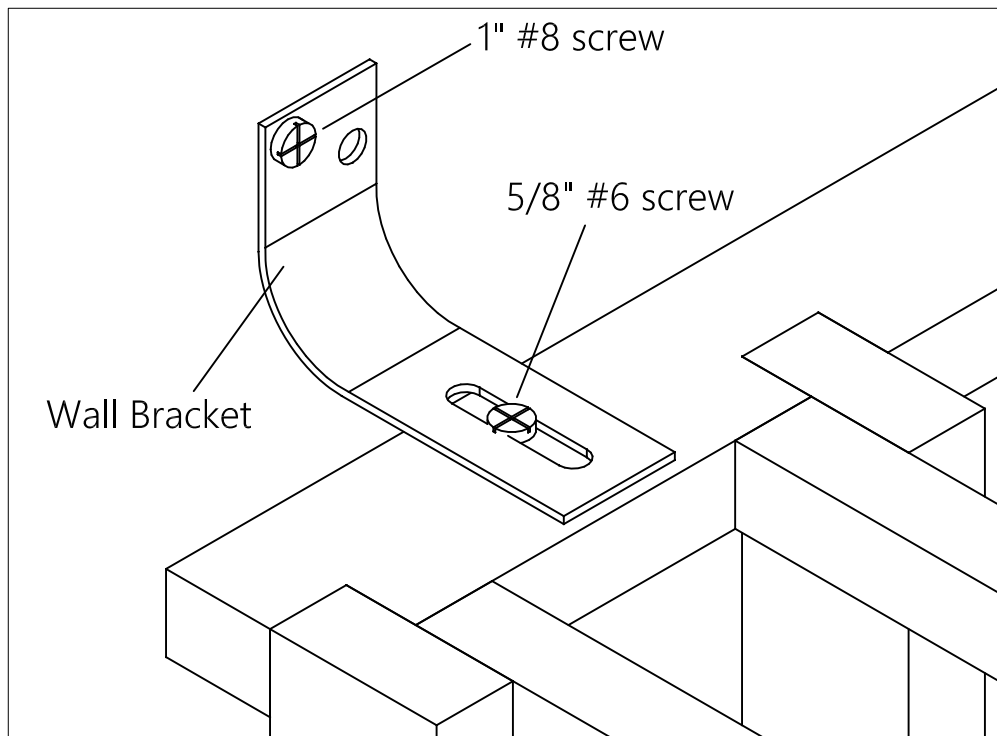


### Step 3

Attach (3) spacer bars, (1) Square crown, and (1) Square base to the front of the racks in the same manner as the back.



## Final Step



Secure rack to wall by attaching wall brackets to top back spacer bar.  
You will have 1 bracket on the left and 1 on the right.

**RACK ASSEMBLY IS COMPLETE.**  
**Always remove bottles before moving racks.**

For more info  
Watch Assembly Videos in our Video Gallery at [www.WineCellarInnovations.com](http://www.WineCellarInnovations.com)