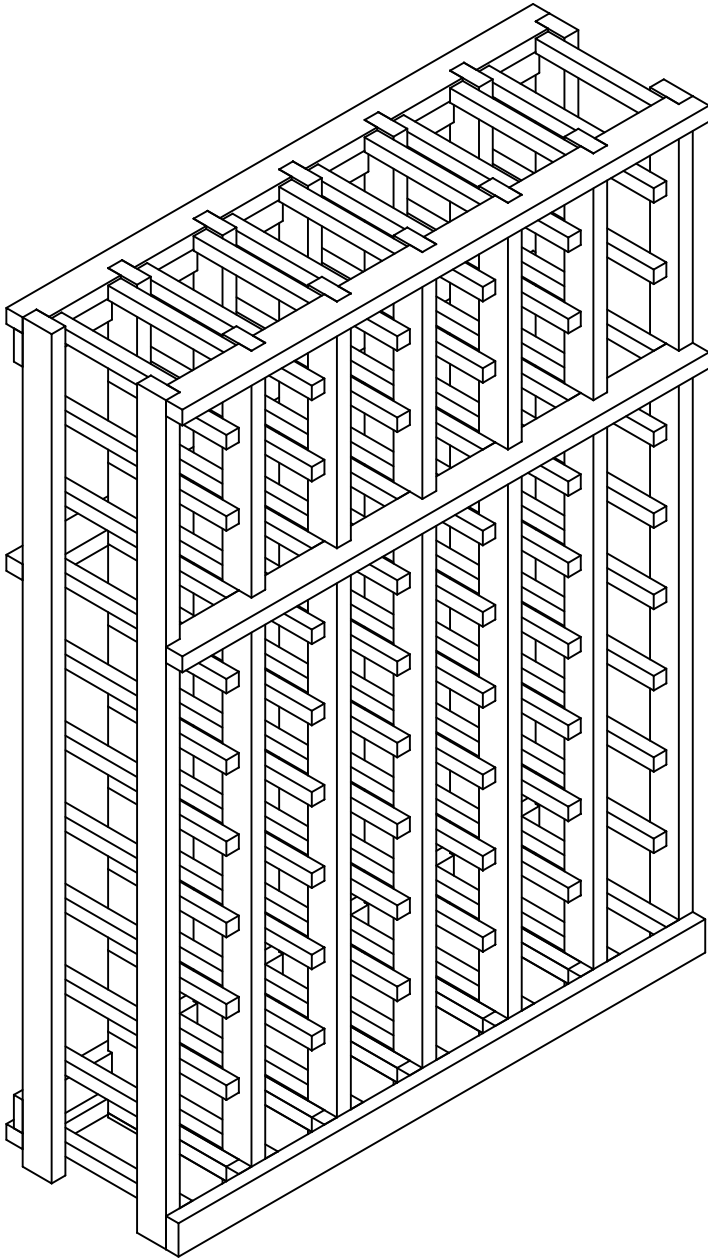


Assembly Manual TR-xx-HH and RP-xx-HH



Industry Leading Replacement Policy :

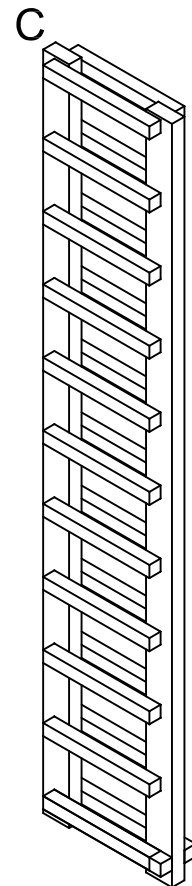
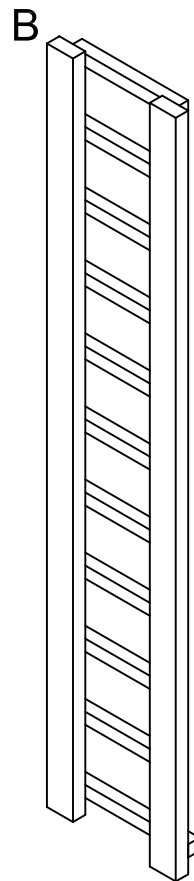
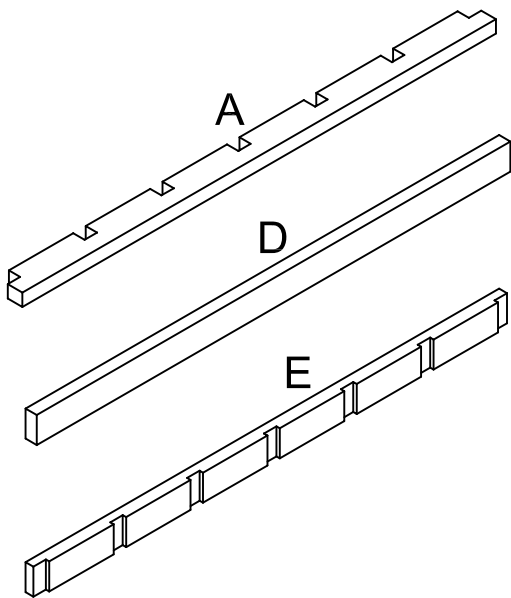
If during transit or assembly you should break or damage any of the parts you may contact us within 90 days of the ship date and we will ship you a replacement part via ground transportation at no additional cost to you.

Wine Cellar Innovations
4575 Eastern Avenue
Cincinnati, Ohio 45226

Phone: (800) 229-9813
Fax: (513) 979-5280
www.winecellarinnovations.com

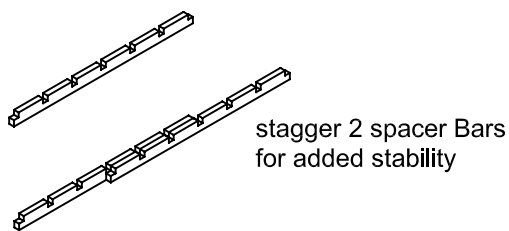
Parts List

#	Qty.	Description
A	5	Spacer Bars - 27 11/16 x 1 7/16
B	2	End Racks - 37 1/16 x 1 7/16
C	5	Double Racks - 37 1/16 x 1 7/16
D	1	Square Cut Base - 27 11/16 x 1 7/16
E	2	Top/Bottom Back Brace - 27 11/16 x 1 7/16
*	1	Hardware Pack containing
*	1	Bag of nails
		2 angle brackets
		2 plastic anchors
		2 1"#8 screws
		2 3/4"#6 screws



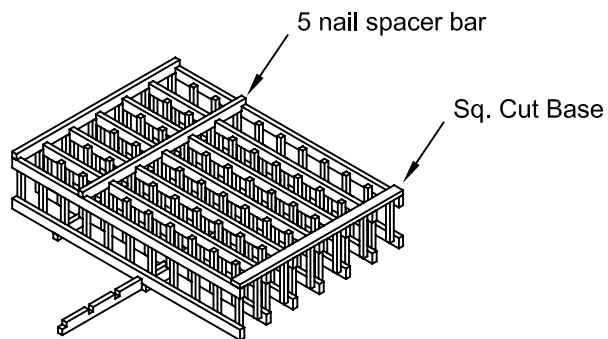
Step 1:

- a. Place 3 spacer bars on the floor with notches facing up.



This position is temporary DO NOT nail these 3 Spacer bars to racks yet.

- b. Place (2) end and (5) double racks on the 3 floor spacer bars.

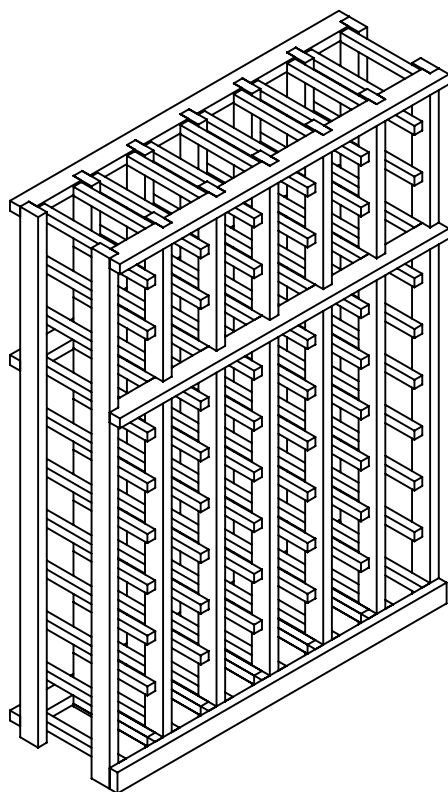


- c. Attach (2) spacer bars to racks with nails

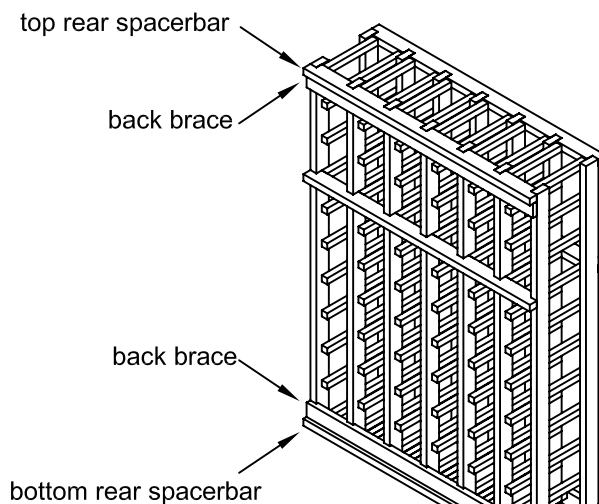
Nail the nails into each spacer bar just on each end except the noted 5 nail spacer bar. This can be done with the provided nails or with a brad nailer.

Step 2:

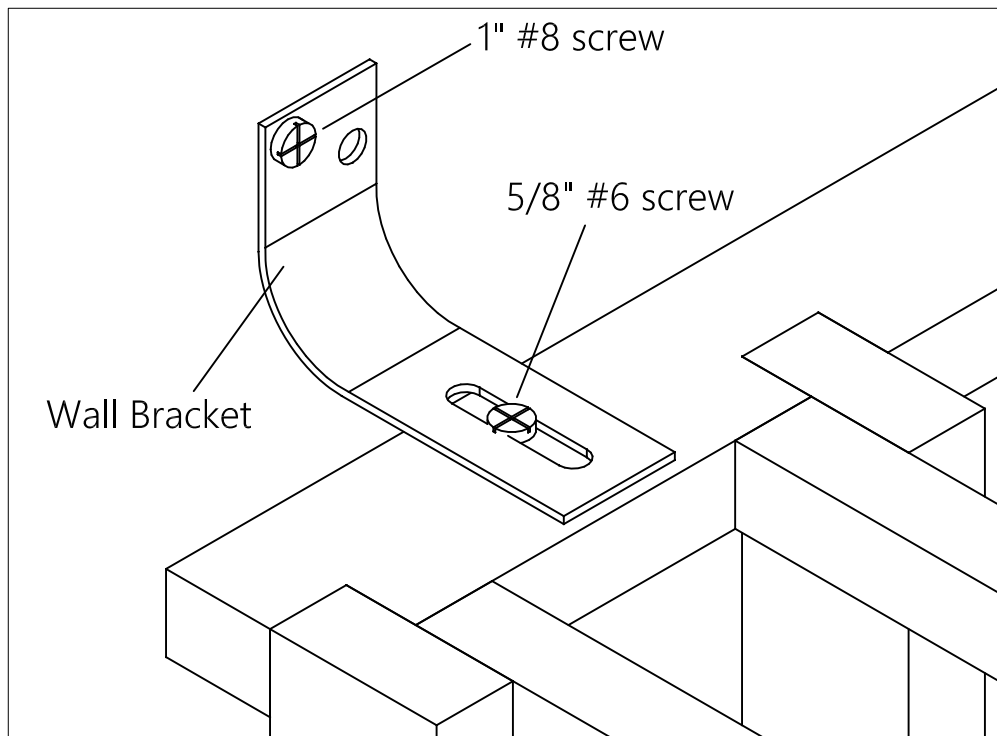
Stand racks upright, remove (3) staggered spacer bars from floor and nail to other side of racks in the same manner as above.



Then Attach 1 Back Brace below Top Rear Spacerbar and 1 Back Brace above Bottom Rear Spacerbar the same way as the front middle spacerbar.



Final Step



Secure rack to wall by attaching wall brackets to top back spacer bar.
You will have 1 bracket on the left and 1 on the right.

RACK ASSEMBLY IS COMPLETE.
Always remove bottles before moving racks.

For more info
Watch Assembly Videos in our Video Gallery at www.WineCellarInnovations.com