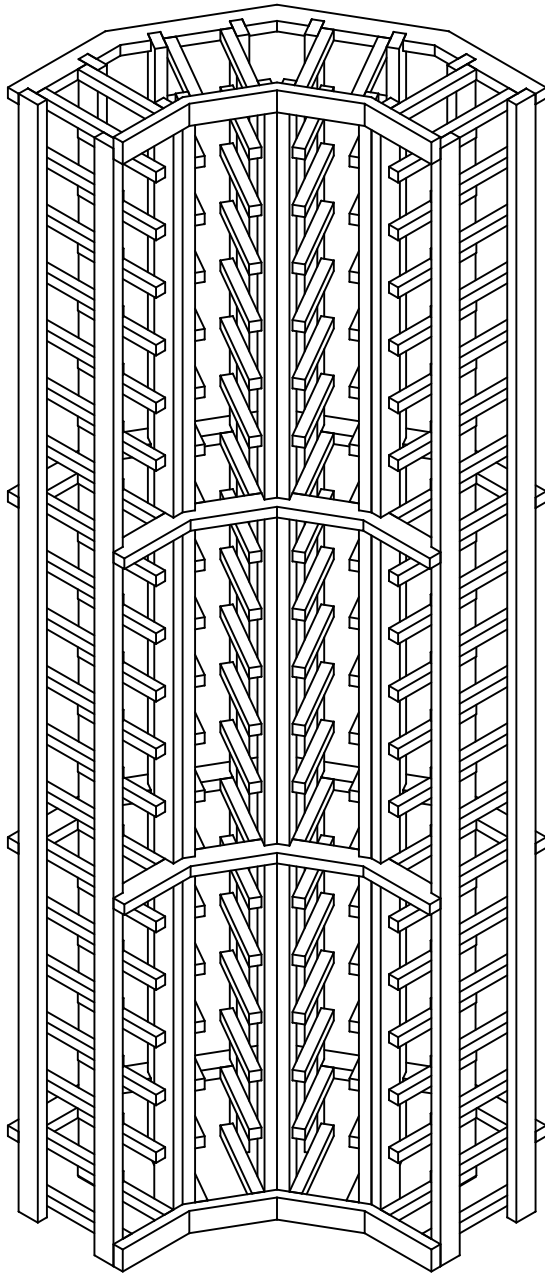


# Assembly Manual

## TR-xx-CURV and RP-xx-CURV



TR-xx-CURV  
RP-xx-CURV

### Industry Leading Replacement Policy :

If during transit or assembly you should break or damage any of the parts you may contact us within 90 days of the ship date and we will ship you a replacement part via ground transportation at no additional cost to you.

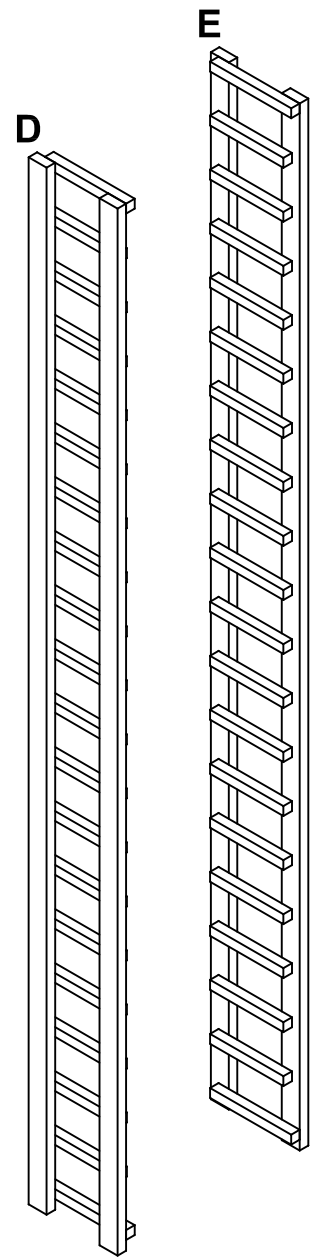
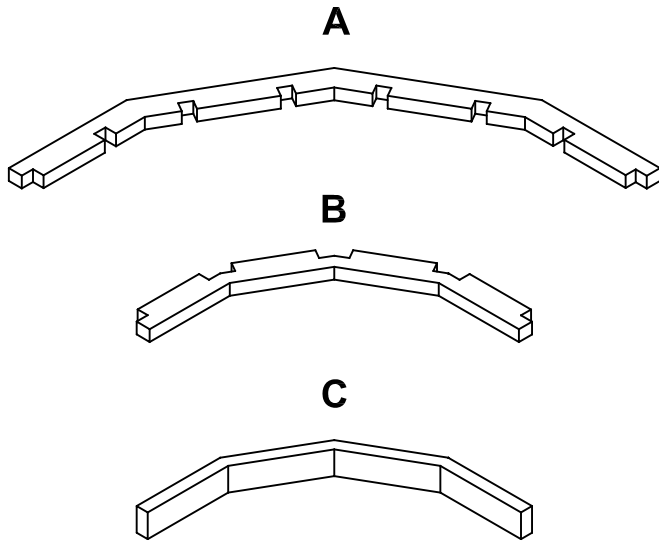
**Wine Cellar Innovations**  
4575 Eastern Avenue  
Cincinnati, Ohio 45226

Phone: (800) 229-9813  
Fax: (513) 979-5280  
[www.winecellarinnovations.com](http://www.winecellarinnovations.com)

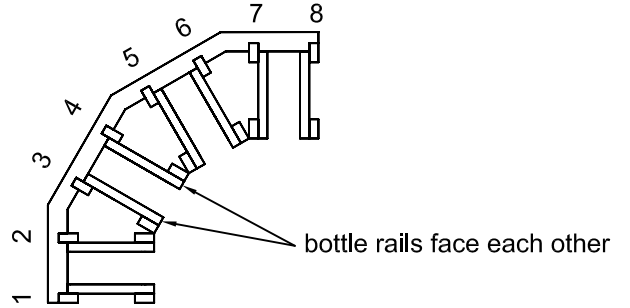
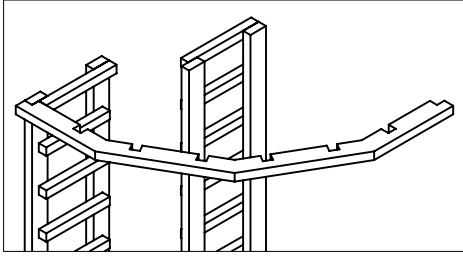
# Parts List

TR-xx-CURV  
RP-xx-CURV

#	qty	description	NOTE: ALL RACK PARTS WILL INCLUDE:
A	4	Back spacer bar	1 Hardware Pack Containing :
B	2	Front spacer bar	20 - 1 5/8" #6 screws
C	2	Top/Bottom trim	1 - screwdriver bit
D	4	Left Rack -- 72"	1 - Bag of nails
E	4	Right Rack -- 72"	2 - L Brackets
			2 - Plastic anchors
			2 - 1" #8 screws
			2 - 5/8" #6 screws

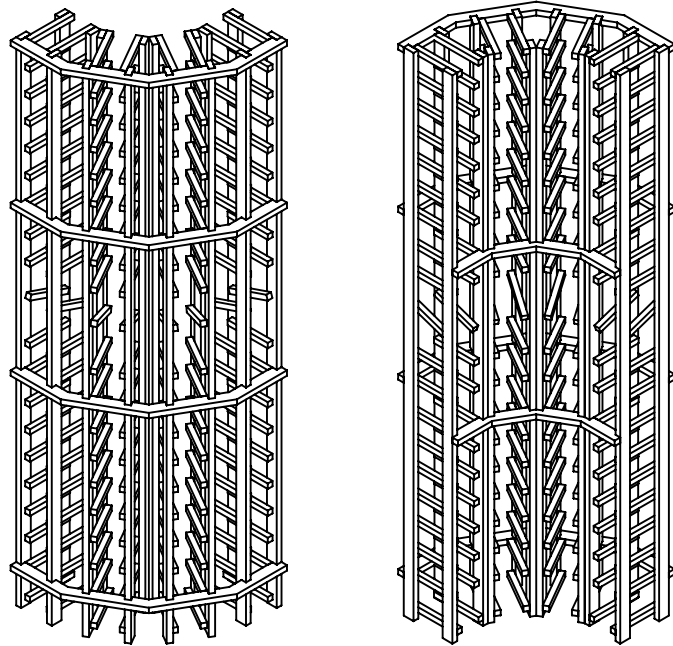


1. Attach (6) spacer bars to racks with nails. Nail the nails into each spacer bar where a notch joins the rack. Attach the back spacer bars, then the front spacer bars.

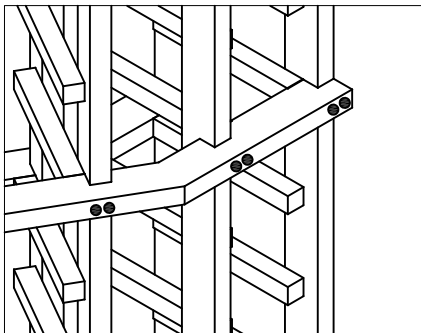
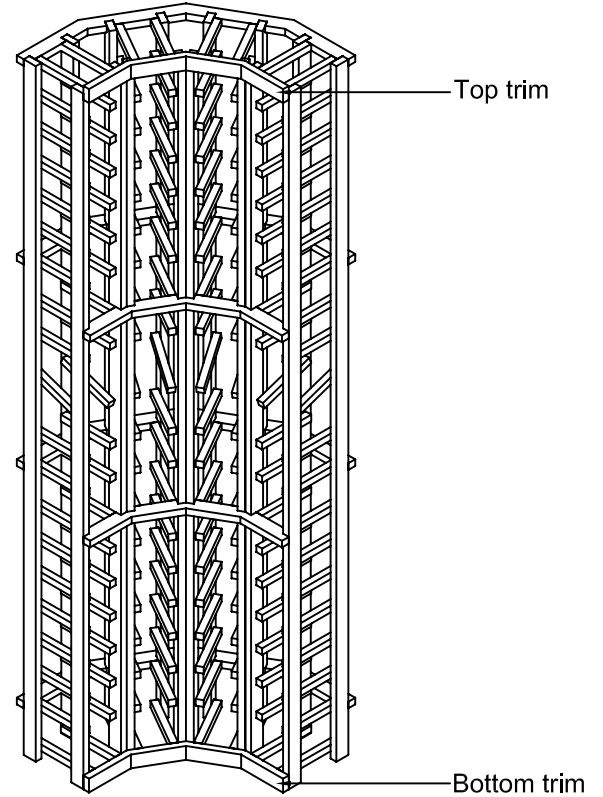


Spacer bar at top should be even with top of rack, spacer bar at bottom should be even at bottom of rack. Attach one rack at end of the spacer bar. Repeat with remaining racks around to other end. Make sure bottles rails on each set of racks face each other (see below).

NOTE: 1 side of front spacer bars will have exposed staples. Attach so the staples are in the least visible position.

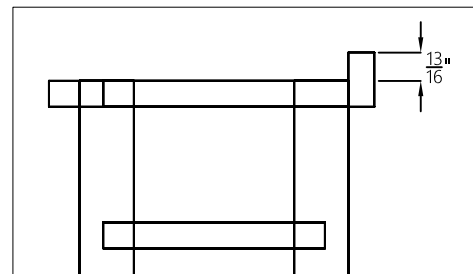


2. Attach top trim and bottom trim



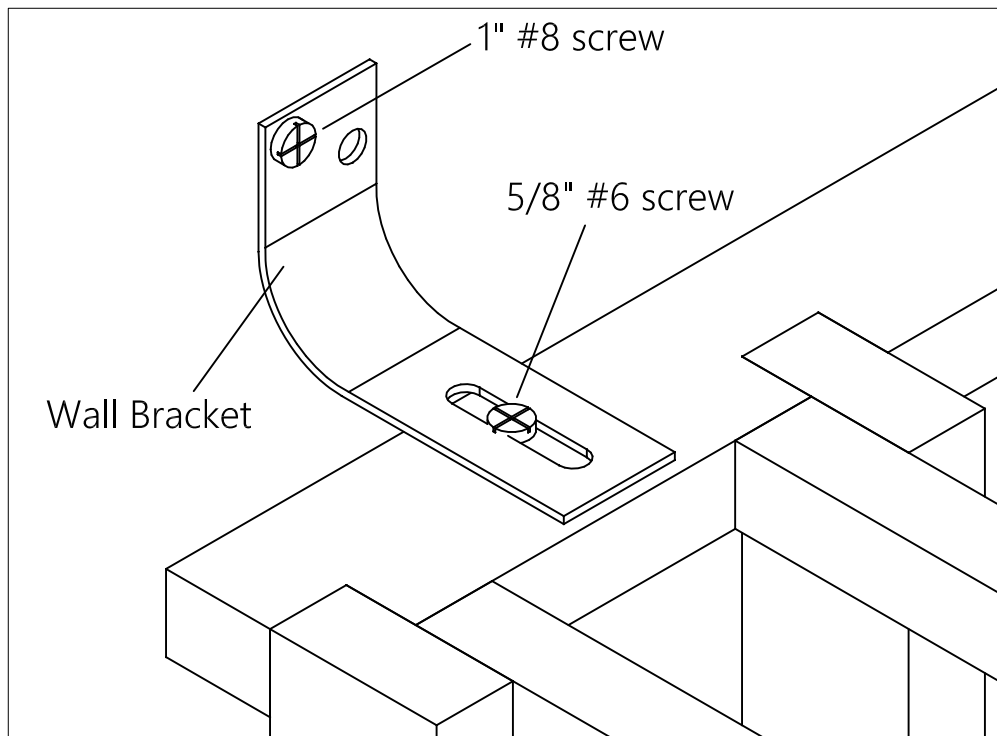
**\*NAIL GUN RECOMMENDED\***

The rear spacerbars would receive double nailing thru each post.



Note: Bottom of top trim to align with the bottom of topmost rail. Top rail will stick out 13/16" on top of the rack.

## Final Step



Secure rack to wall by attaching wall brackets to top back spacer bar.  
You will have 1 bracket on the left and 1 on the right.

**RACK ASSEMBLY IS COMPLETE.**  
**Always remove bottles before moving racks.**

For more info  
Watch Assembly Videos in our Video Gallery at [www.WineCellarInnovations.com](http://www.WineCellarInnovations.com)