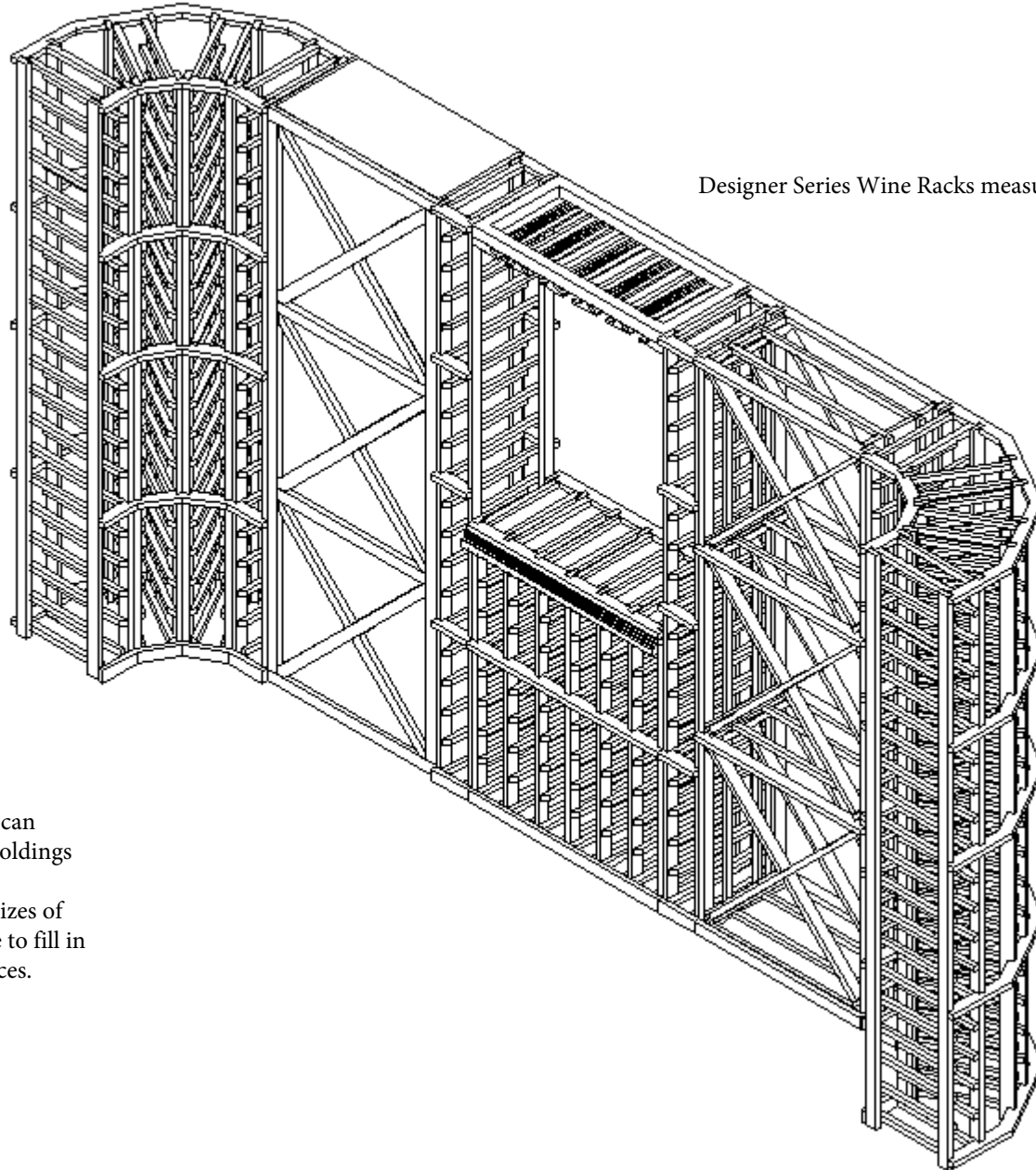




Designer Series Wine Racks  
Rack to Room Measurement  
and Quick Fit Guide



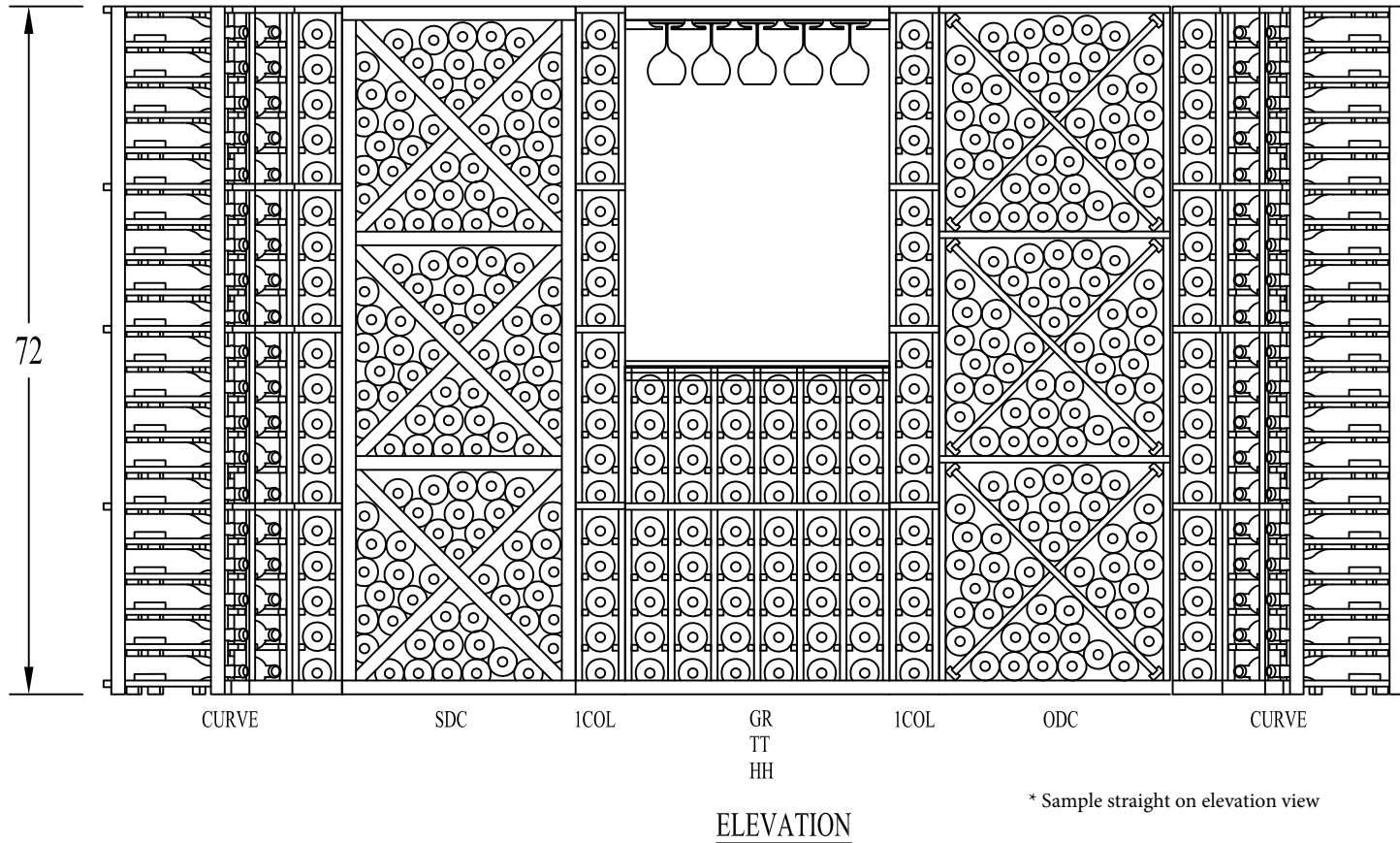
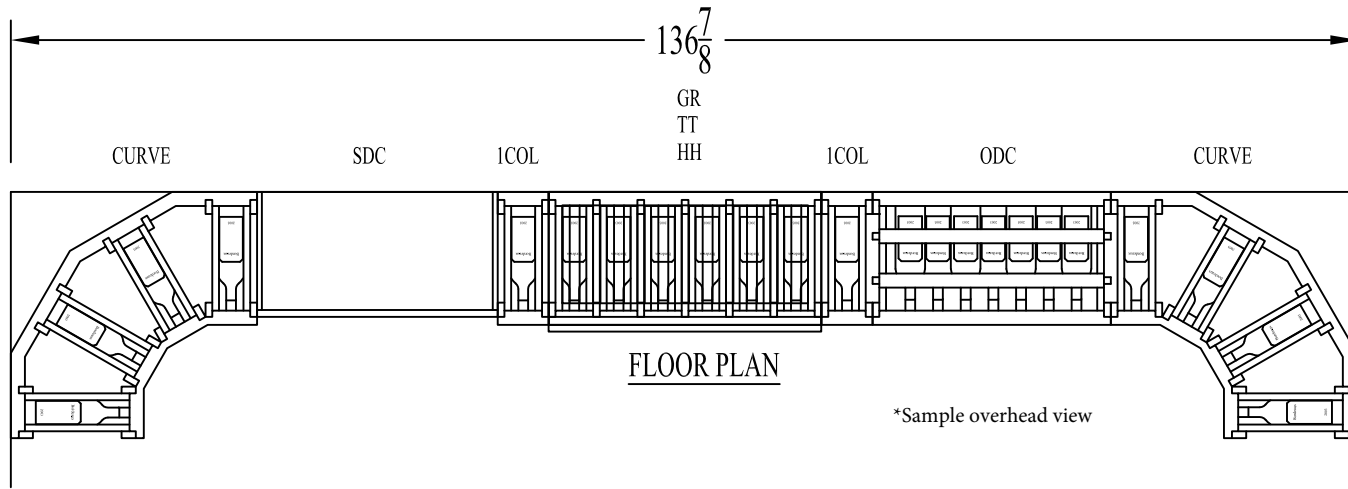
Designer Series Wine Racks measure 6' in height.

To finish the look you can  
add base and crown moldings  
to the racks.  
We also have various sizes of  
filler material available to fill in  
any gaps or empty spaces.

# Sample Wall Layout

Supply us with your room dimensions & our design staff can customize a plan like this for you with any of our wine rack series - FREE OF CHARGE.

**FREE DESIGN SERVICE!**  
CONTACT US NOW!



## Quick Sample Room Overview and Rack Specs Guide

Supply us with your room dimensions & our design staff can customize a plan like this for you with any of our wine rack series - FREE OF CHARGE.

**FREE DESIGN SERVICE!**  
CONTACT US NOW!

How To Measure For Corners Utilizing a 90 Degree Angle

Designer Series	Width
108 TASTING TABLE	29 1/16
1 COL	5 3/16
2 COL	9 11/16
3 COL	14 3/16
4 COL	18 11/16
5 COL	23 3/16
ARCHWAY	45 11/16
CURVE	24 15/16
DIAMOND BIN	34
DIAMOND BIN BELOW ARCH	45 11/16
FILL2	13 1/2
FILL6	6
GLASS RACK	27 11/16
HALF HEIGHT	27 11/16
HALF HEIGHT W/ DISPLAY	27 11/16
INDIVIDUAL DIAMOND BIN	34
MAGNUM	16 13/16
OPEN DIAMOND CUBE	24 3/16
QUARTER ROUND	13 1/2
RECT. BIN	26
SOLID DIAMOND CUBE	24 7/16
TABLETOP	45 11/16
TABLETOP BELOW GLASS RACK	27 11/16
VERTICAL DISPLAY	25 3/8
WATERFALL	41 3/16
WINE BAR	27 11/16
WOOD CASE W/ TABLETOP	30 11/16

How To Measure For Corners Utilizing Our Curved Corner Racks

**How To Begin**

1. Subtract your corner racks from your overall wall lengths to establish how much space you have remaining.
2. Fill in the remaining space available with your choice of racking selections. For your convenience we have a short list of each rack's width listed above, as well as all the individual rack elevations on all the following pages, which are measured to scale for your convenience.
3. Remember we offer matching filler material to allow you to fill in any misc. gaps you may have left over.

# 6 Foot Wine Racks

Scale 1/4"=1'

