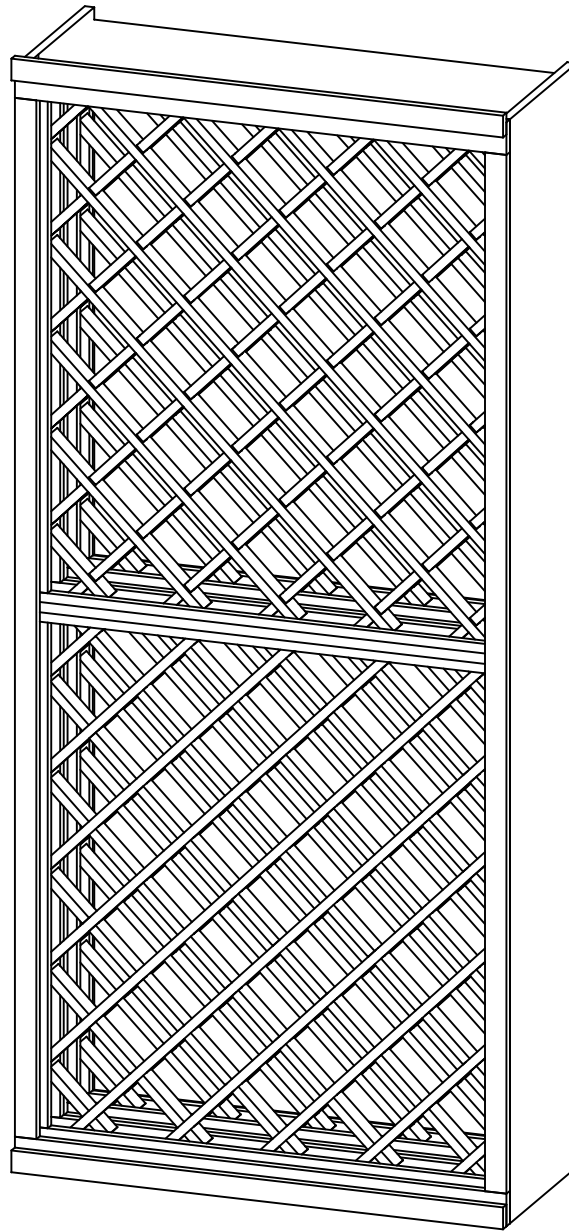


Assembly Manual D1-xx-INDDIA



Industry Leading Replacement Policy :

If during transit or assembly you should break or damage any of the parts you may contact us within 90 days of the ship date and we will ship you a replacement part via ground transportation at no additional cost to you.

Wine Cellar Innovations
4575 Eastern Avenue
Cincinnati, Ohio 45226

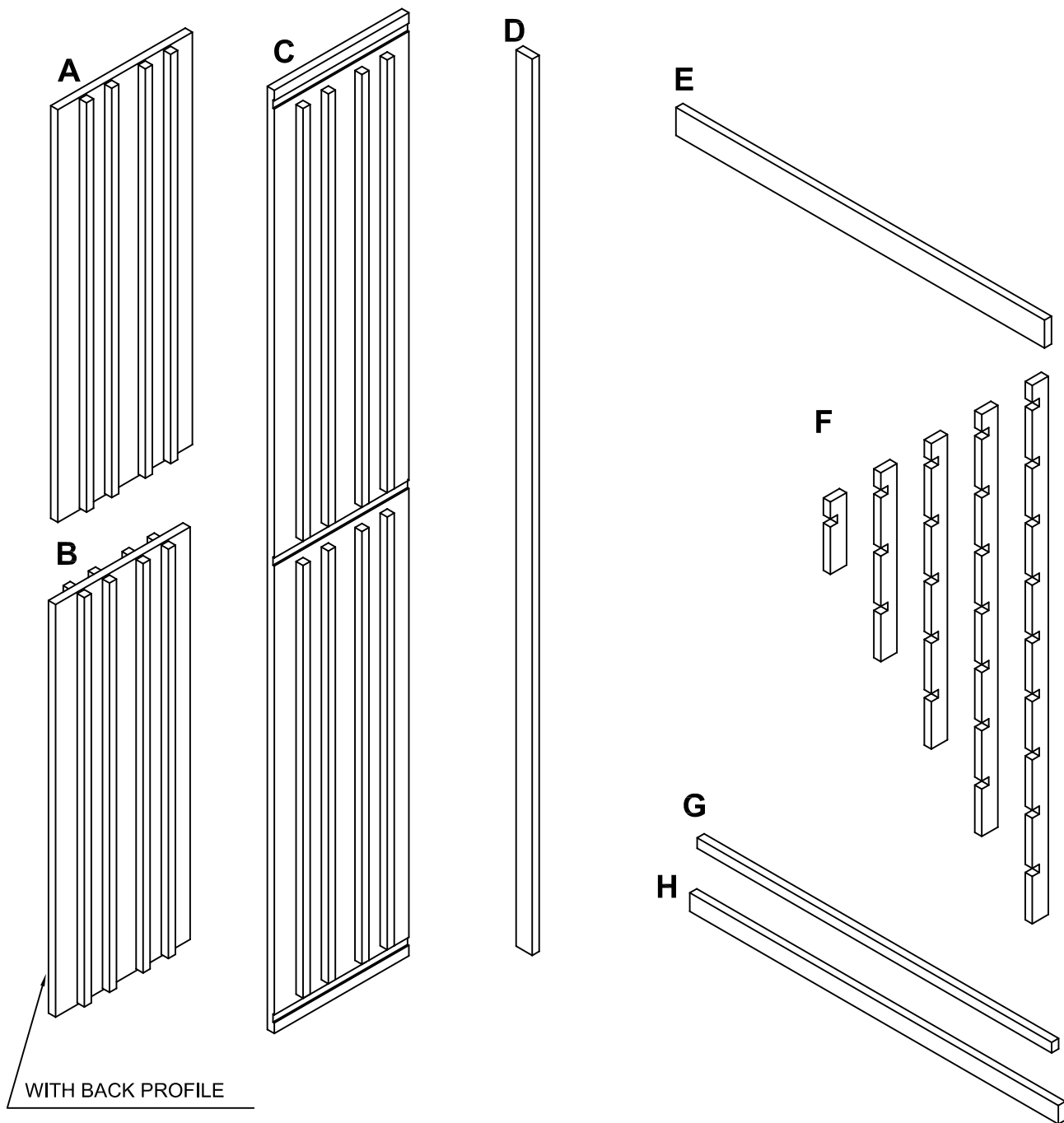
Phone: (800) 229-9813
Fax: (513) 979-5280
www.winecellarinnovations.com

Parts List

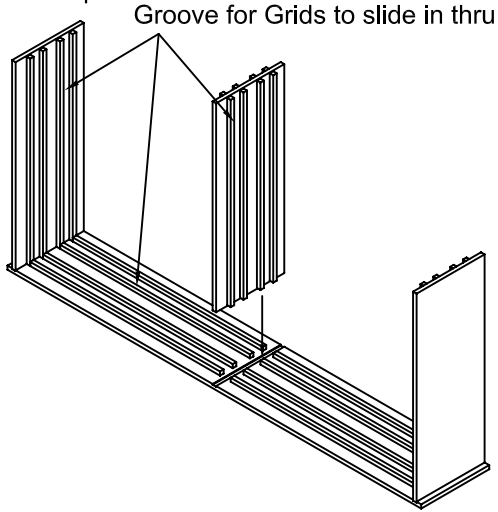
#	qty	description
A	2	Top/Bottom -- 31 7/8" x 12 1/16" x 5/8"
B	1	Middle - 31 7/8" x 12 1/16" x 5/8"
C	2	Sides -- 72 7/8" x 12 1/16" x 5/8"
D	2	Side Face Trim --68 9/16" x 1 7/16" x 5/8"
E	2	Top/Bottom Face Trim -- 32 7/8" x 2 5/32" x 5/8"
F		Spacerbar Interlocks
	16	5 21/32" x 1 7/16"
	16	14 21/32" x 1 7/16"
	16	23 21/32" x 1 7/16"
	16	32 21/32" x 1 7/16"
	16	41 21/32" x 1 7/16"
G	2	Bottom Support -- 31 5/8" x 1 1/8" x 5/8"
H	2	1x2 Top/Bottom Trim -- 32 7/8" x 1 7/16"

NOTE: ALL RACK PARTS WILL INCLUDE:

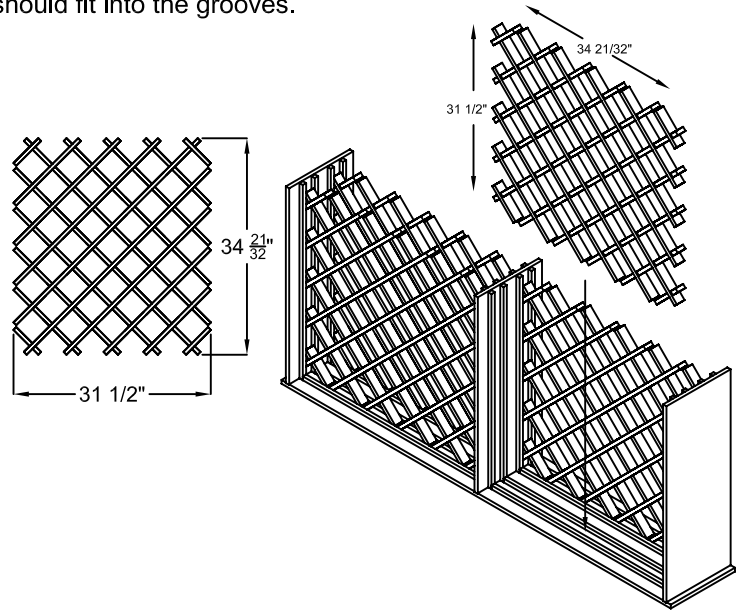
- 1 Hardware Pack Containing :
 - 20 - 1 5/8" #6 screws
 - 1 - screwdriver bit
 - 1 - Bag of nails
 - 2 - L Brackets
 - 2 - Plastic anchors
 - 2 - 1" #8 screws
 - 2 - 5/8" #6 screws



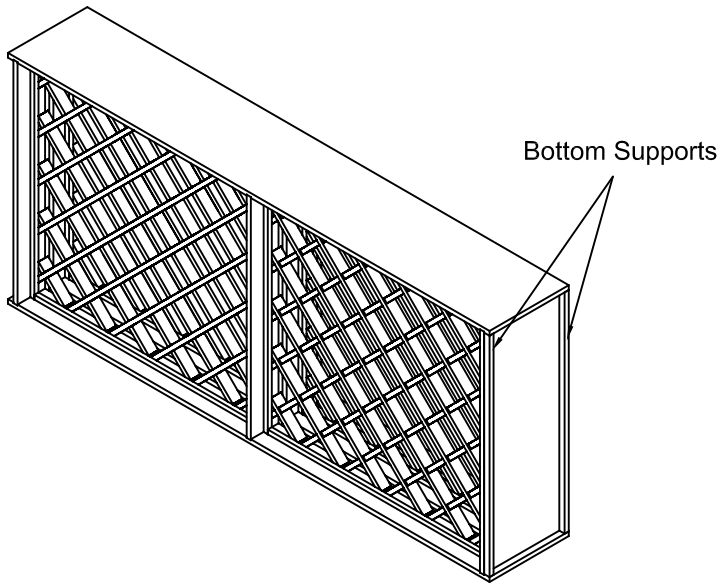
1. Prepare 1 side laying down and attach the top, middle and bottom panels using 1 5/8" #6 screws. Panels will fit on the dado of the Side panel.



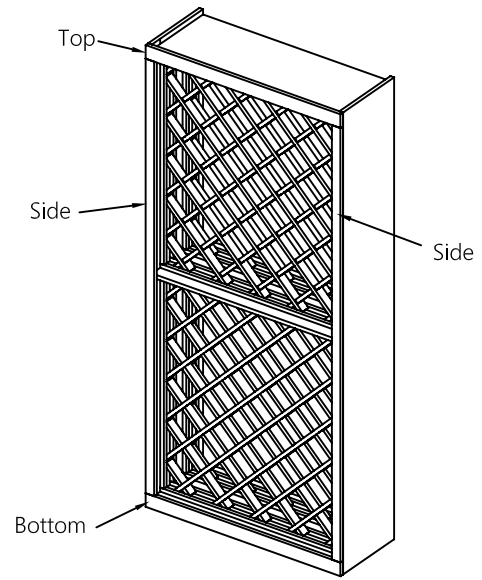
2. Assemble the 4 Diamond Grids and slide into place. Grids should fit into the grooves.



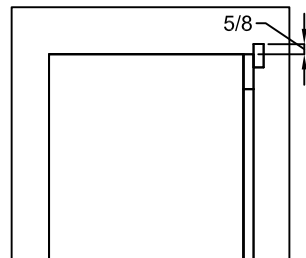
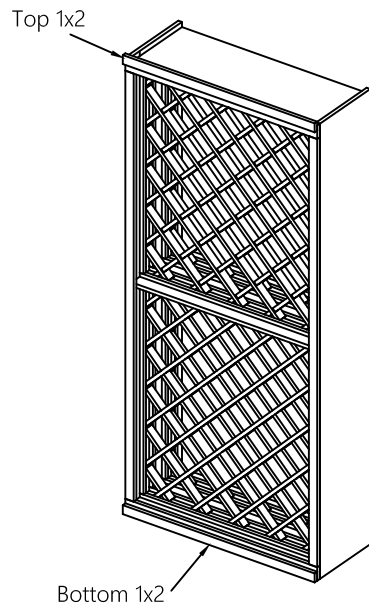
3. Attach the other Side panel and secure properly to close the rack. And attach the front and back bottom supports.



4. Bring the rack to stand and Attach Face trims on the top, bottom and sides.



5. Attach the 1x2 Top and Bottom Trims to the rack.



1x2 will extend 5/8" above the racks.