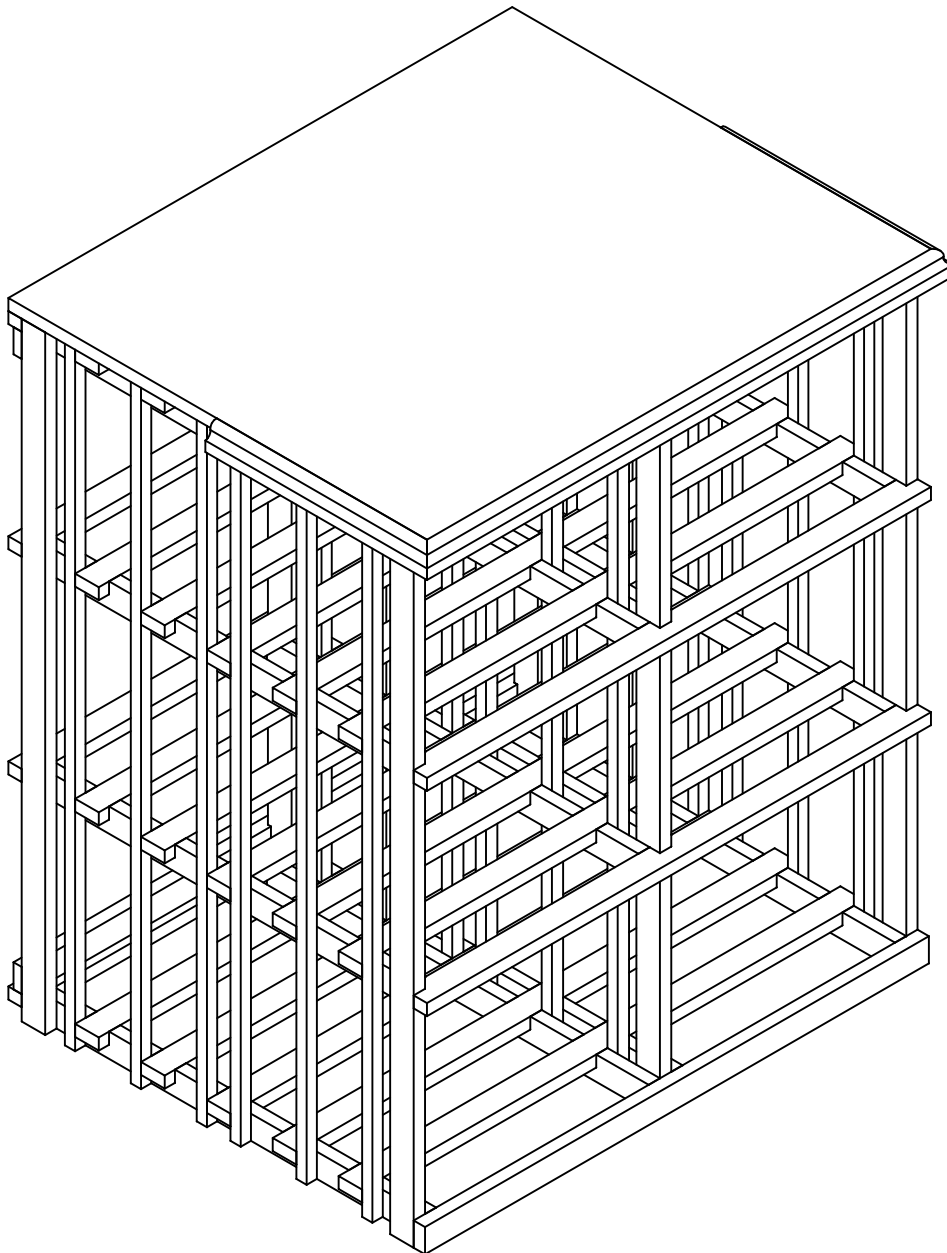


Assembly Manual D1-xx-CASE

REV. 02/22/19



Industry Leading Replacement Policy :

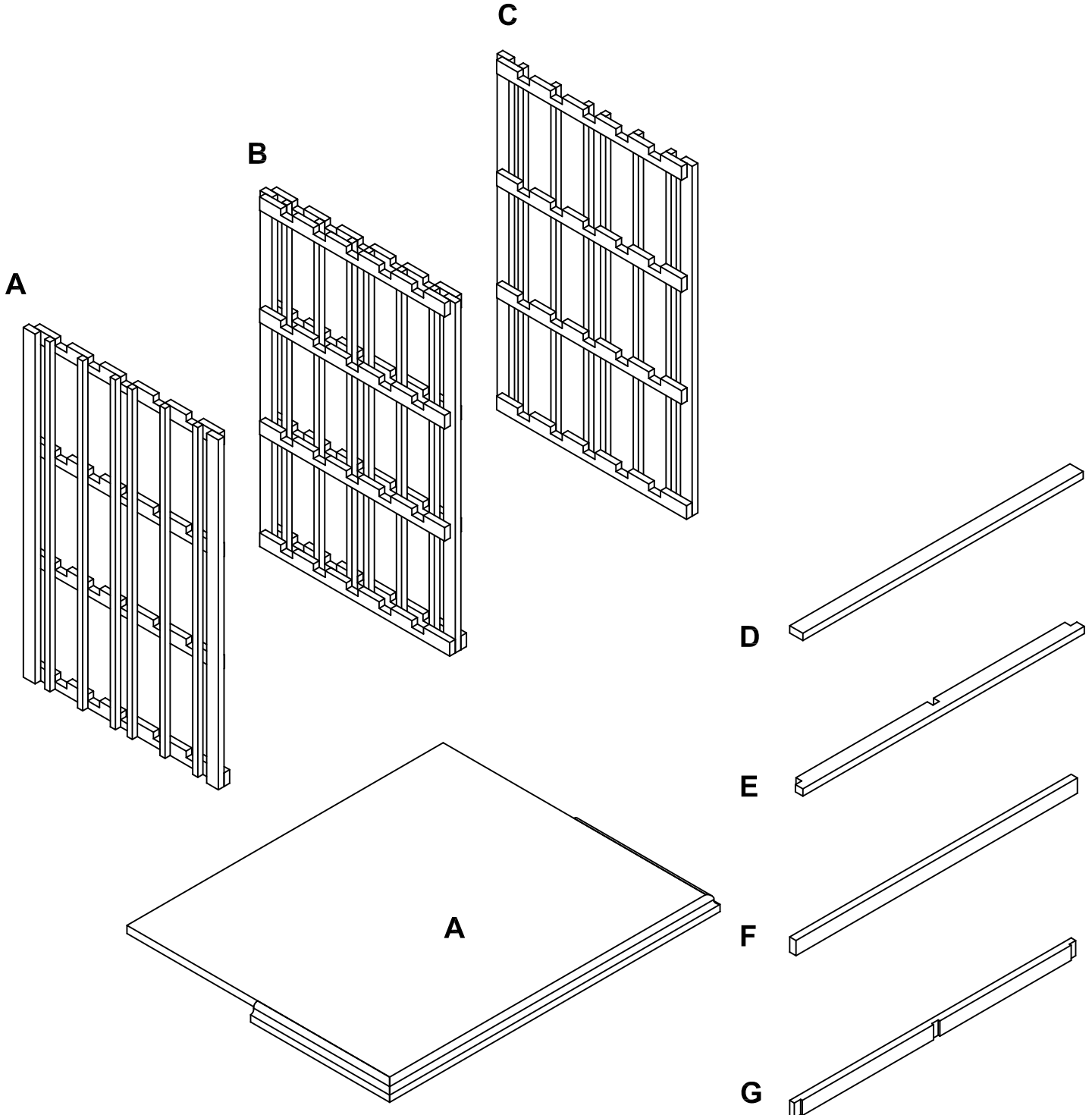
If during transit or assembly you should break or damage any of the parts you may contact us within 90 days of the ship date and we will ship you a replacement part via ground transportation at no additional cost to you.

Wine Cellar Innovations
4575 Eastern Avenue
Cincinnati, Ohio 45226

Phone: (800) 229-9813
Fax: (513) 979-5280
www.winecellarinnovations.com

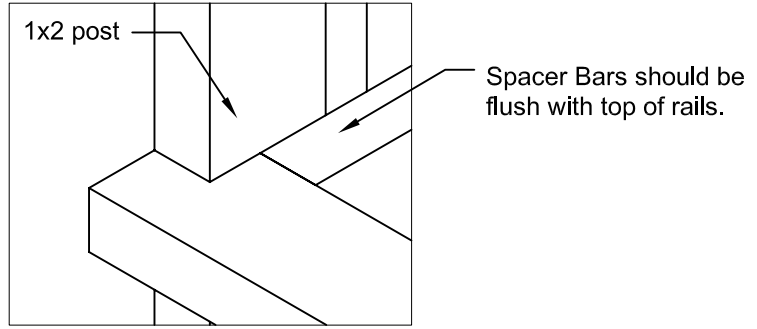
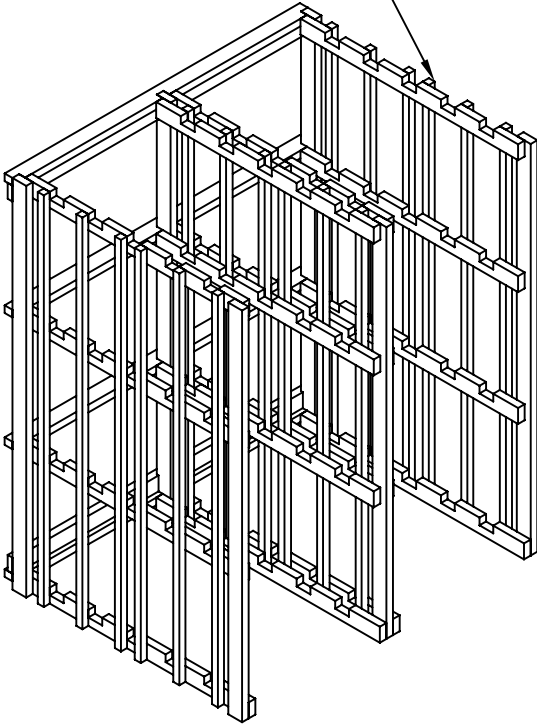
Parts List

#	qty	description	NOTE: ALL RACK PARTS WILL INCLUDE: 1 Hardware Pack Containing : 20 - 1 5/8" #6 screws 1 - screwdriver bit 1 - Bag of nails 2 - L Brackets 2 - Plastic anchors 2 - 1" #8 screws 2 - 5/8" #6 screws
A	1	Left -- 37 1/16" x 23 7/8" x 5/8"	
B	1	Right -- 37 1/16" x 23 7/8" x 5/8"	
C	1	Double -- 37 1/16" x 23 7/8" x 5/8"	
D	20	Slats -- 30 11/16" x 1 7/16" x 5/8"	
E	7	Spacer Bar -- 30 11/16" x 1 7/16" x 5/8"	
F	1	Bottom Trim -- 30 11/16" x 1 7/16" x 5/8"	
G	2	Back Brace -- 30 11/16" x 1 7/16" x 5/8"	
H	1	Table top -- 30 11/16" x 26 3/16"	

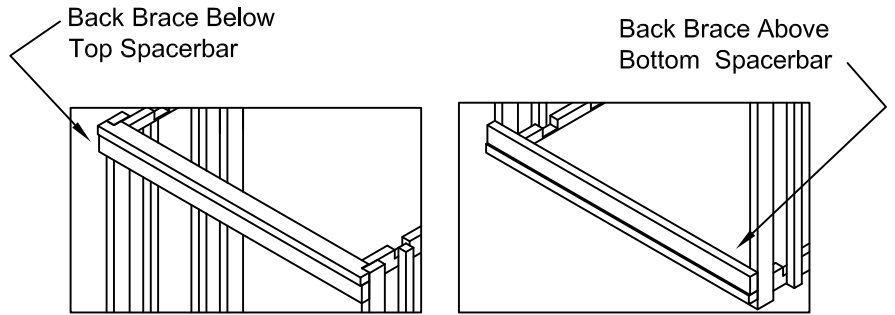


1. Attach (4) spacer bars to racks with nails. Nail through notches in spacer bars into post. This can be done with provided nails or with a brad nailer.

notches on rails
need to face ceiling

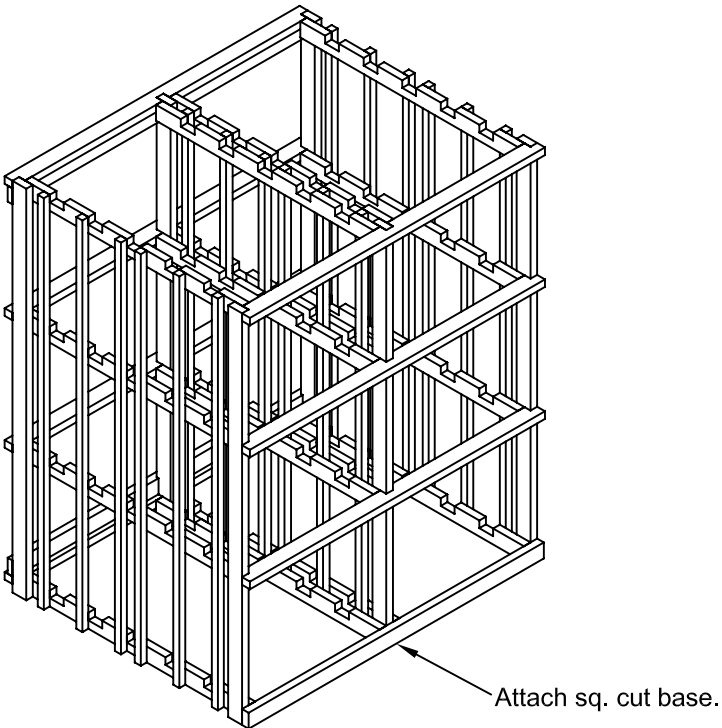


Then Attach 1 Back Brace below Top Spacerbar
and 1 Back Brace above Bottom Spacerbar.



*Note : Not actual Images above.

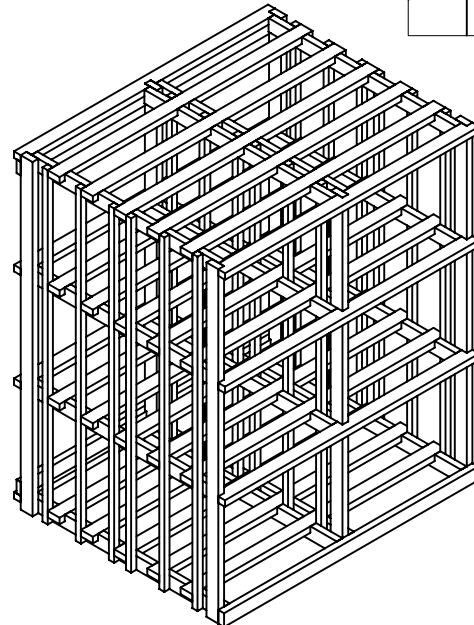
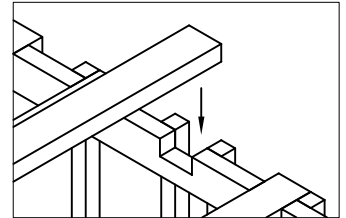
2. Attach 3 spacer bars to the front of the racks in the same manner as step 1.



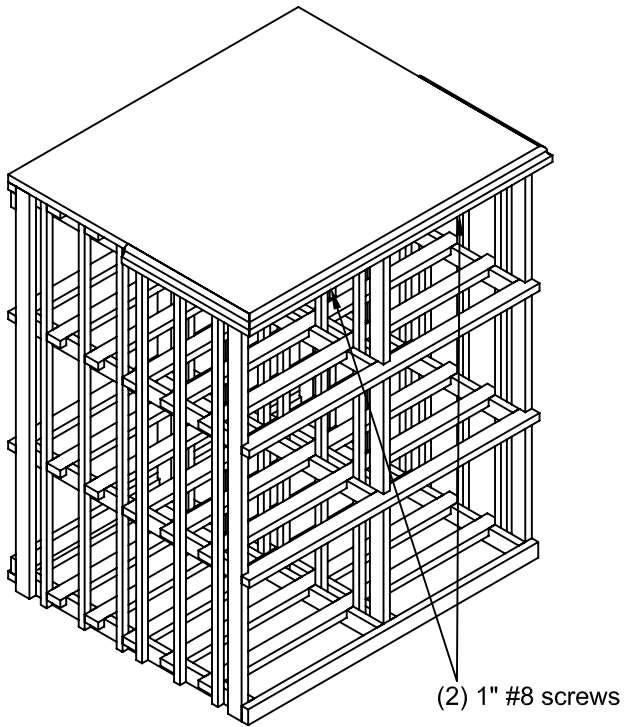
Note: Sq. cut base will not be used
if additional moldings are purchased.

3. Insert slats into notched rails.

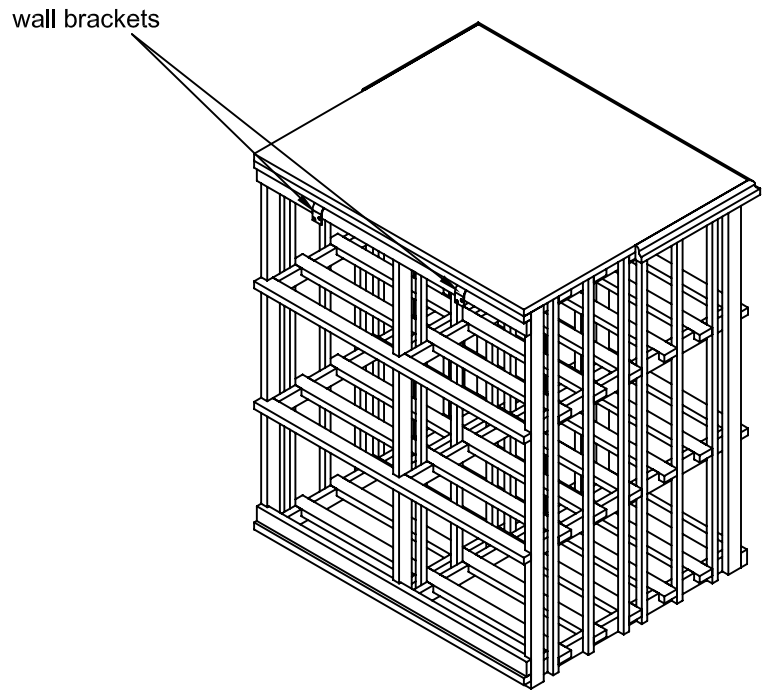
Slats will flush with
the corner of the 1x1



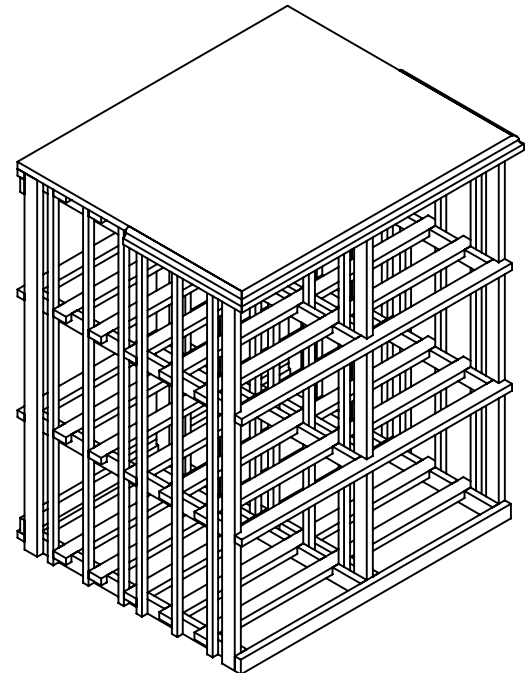
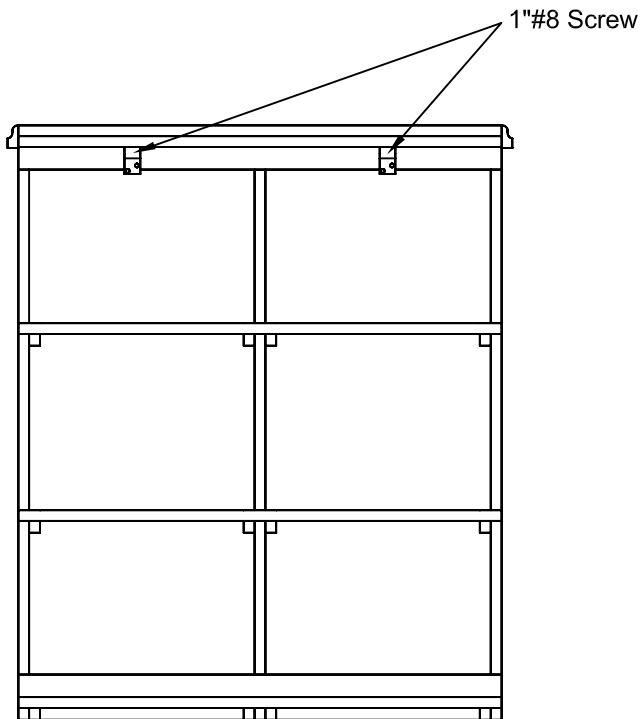
4. Screw Through top front spacer bar into Table top



5. Use 1"#8 screws to attach wall brackets to back top spacer bar. Screw up through spacer bar into table top.



6. Screw through wall bracket into wall with (1) 1"#8 screw per bracket



RACK ASSEMBLY IS COMPLETE
Always remove bottles before moving racks.

For more info
Watch Assembly Videos in our
Video Gallery at www.WineCellarInnovations.com