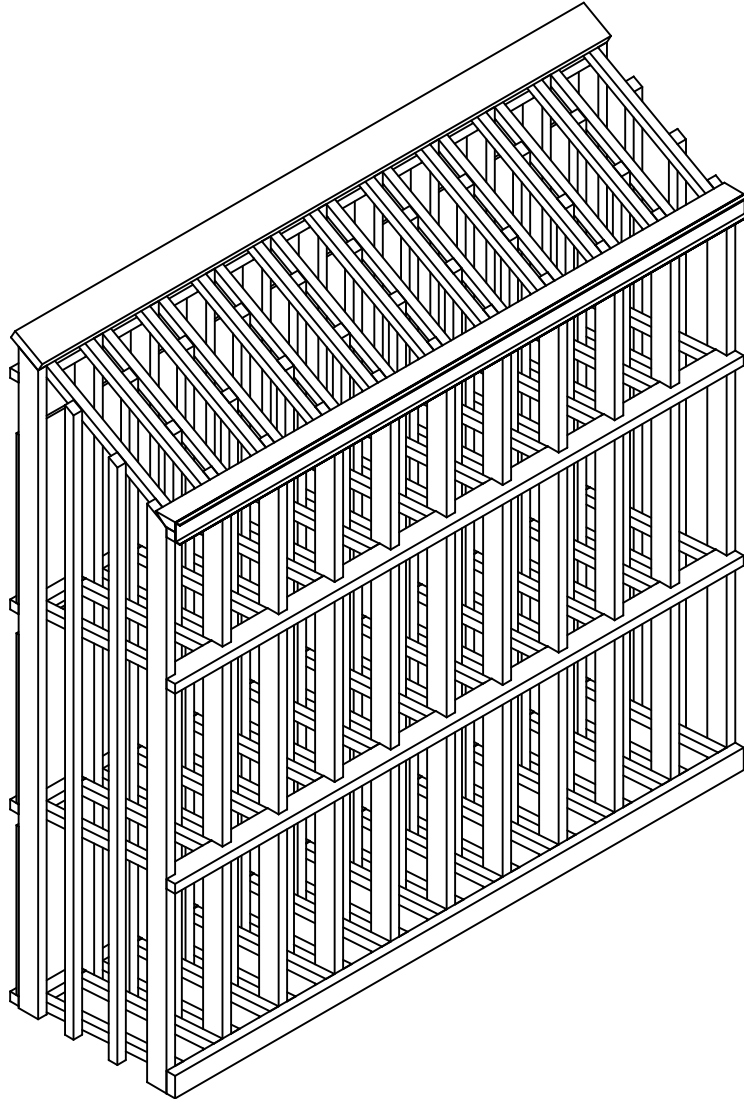


Commercial Display Racking

Wall Display

Rev: 7/8/10



Thank you for your purchase from Wine Cellar Innovations. In the manufacturing and packaging of your products numerous people have reviewed your order for accuracy and attention to detail. We believe this focus is what has made us the worldwide leader in wine storage products.

When assembling the products, please refer to the instructions provided and follow them closely. Always pre-drill pieces any time a screw will be used as a fastener. Redwood is a soft and beautiful wood species, but will split like all other wood types if placed under unusual stresses. The cellar has been engineered with the weight of the bottles factored into the layout, and will be capable of sustaining loads far greater than this when assembled correctly.

If you happen to break a piece during installation we will replace it for free. In such a situation, feel free to contact us Monday through Friday between 8am and 5pm Eastern time.

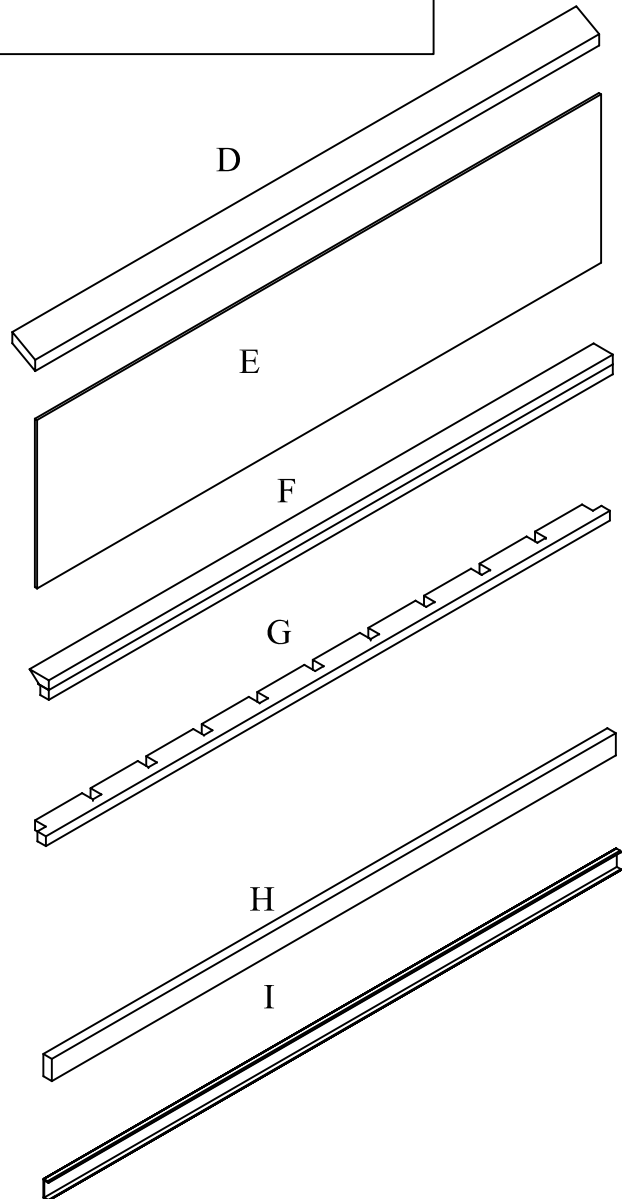
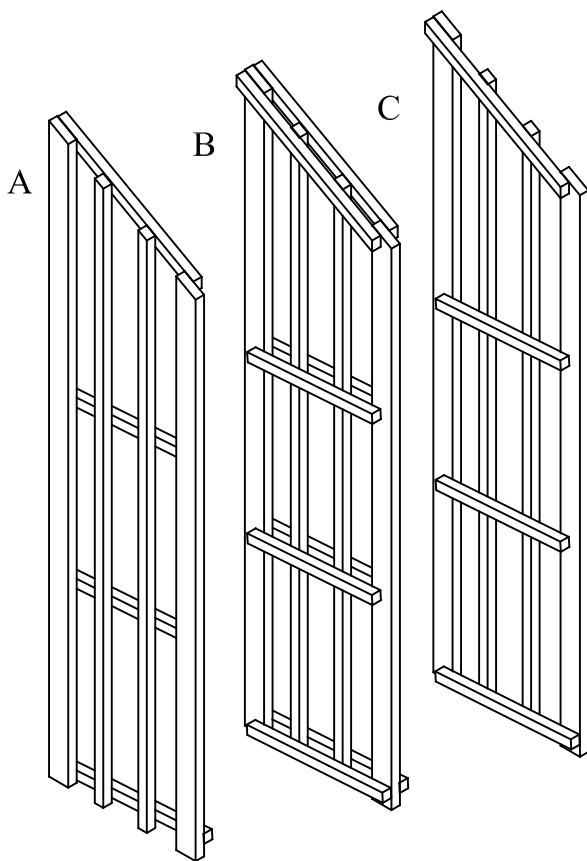
Wine Cellar Innovations
4575 Eastern Avenue
Cincinnati, Ohio 45226

Phone: (800) 229-9813
Fax: (513) 979-5280
www.winecellarinnovations.com

Wall Display

Parts List

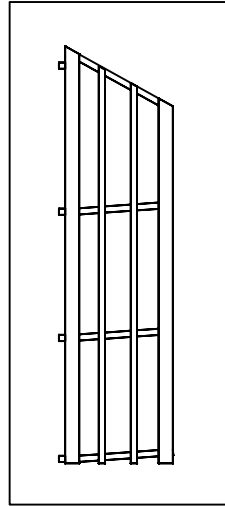
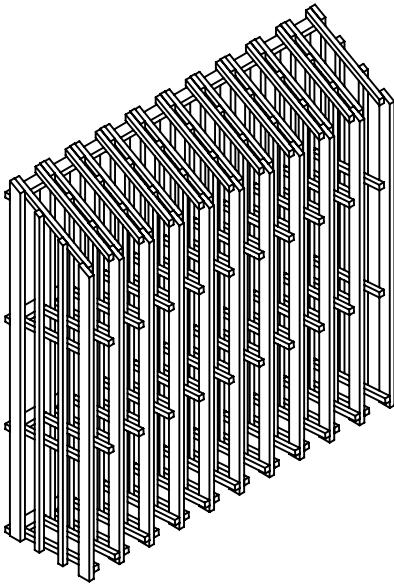
#	Qty.	Description
A	1	Rack- Lefts
B	9	Rack- Doubles
C	1	Rack- Rights
D	1	Top Cap 45 11/16
E	3	1/4" Plywood Backs 45 11/16 x 11 13/16
F	1	Spacer Bar Bottle Stop 45 11/16
G	6	Spacer Bars 45 11/16
H	1	Front Trim 45 11/16
I	1	Price Track 45 11/16 (OPTIONAL)
*	5	5/8" #6 Screws for price track (OPTIONAL)
*	1	Bag of Nails
*	36	Ring Shanked Nails
*	6	1 1/2" #8 Screw
	1	Hardware Pack containing: 2 angle brackets 2 plastic anchors 2 1" #8 screws 2 5/8" #6 screws



1.

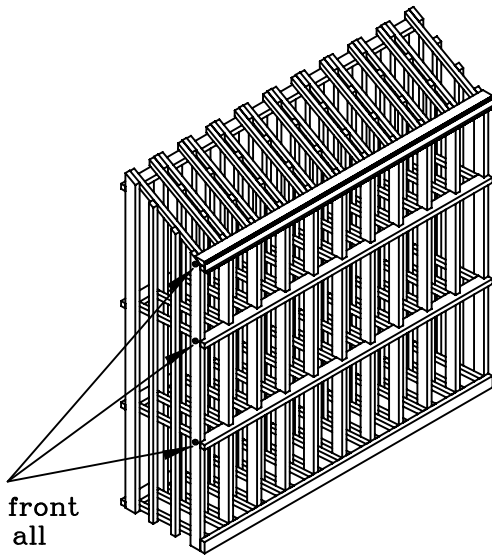
Attach (4) spacer bars to the back of (1) left, (1) right, and (9) doubles with nails.

Top & bottom spacer bars should have a nail just on each end, and a middle notch, (1) middle spacer bar should have a nail in each notch. This can be done with the provided nails or with a brad nailer.



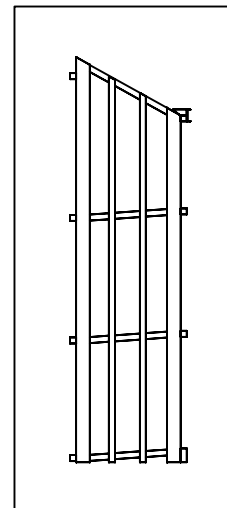
2.

a. Attach spacer bar bottle stop and (2) spacer bars to front of (1) left, (1) right, and (9) doubles. nail through end notches and a middle notch.



b. Screw through front end posts into all front spacerbars on left and right side of rack with $1\frac{1}{2}$ " #8 screws. Pre-drill wood first with a $\frac{1}{8}$ " drill bit.

c. Nail sq. cut base to racks.



**** For optional pricetrack ****

d. Pre-drill pricetrack and spacerbar bottle stop with a $\frac{3}{32}$ " drill bit. Attach price track to bottle stop with price track screws.

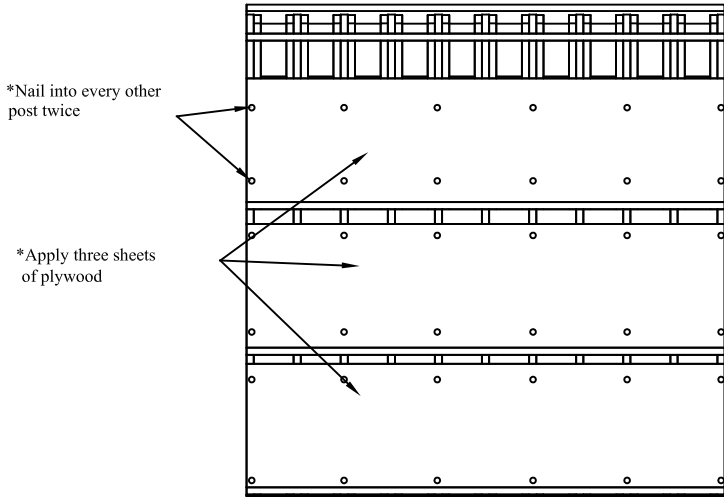


Stagger screws when attaching

3.

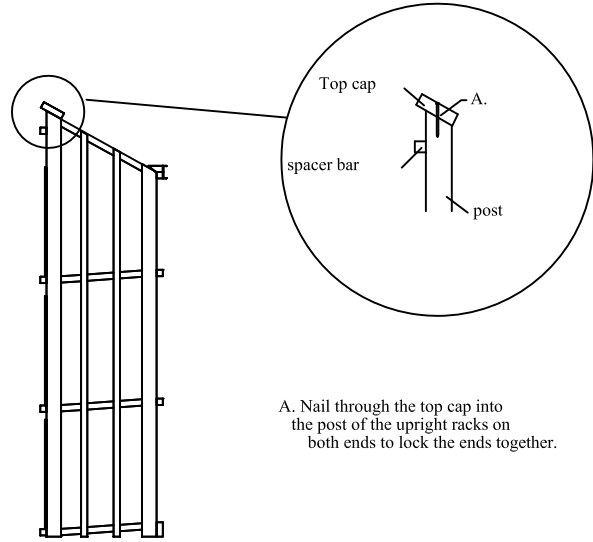
Apply the three sheets of plywood to the back of the racks just above the bottom and middle spacer bars.

Nail (2) 1 1/4" ring shank nails into every other rack.



4.

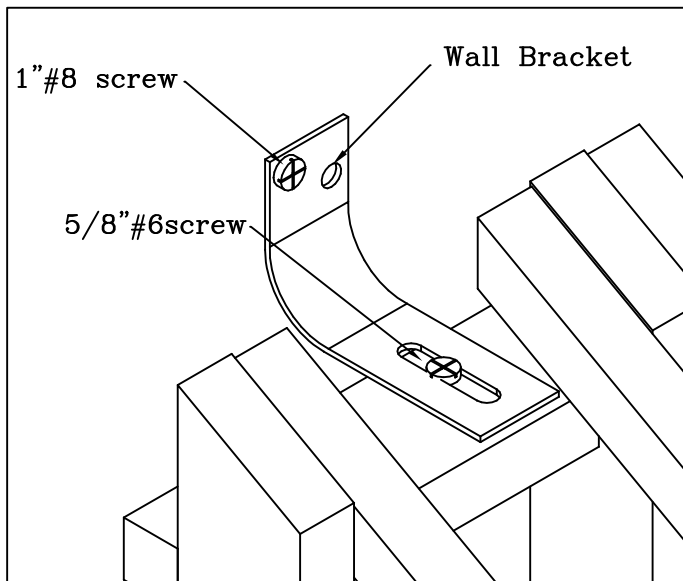
Nail the top cap to top of the back post.



A. Nail through the top cap into the post of the upright racks on both ends to lock the ends together.

Optional:

Secure rack to wall by attaching wall brackets to top back spacer bar. You will have 1 bracket on the left and 1 on the right.



*Note: Above detail shown without top cap for clarity.

Assembly now complete.

Always remove bottles before moving racks.

Wine Cellar Innovations

4575 Eastern Avenue
Cincinnati, Ohio 45226

Phone: (800) 229-9813

Fax: (513) 979-5280

www.winecellarinnovations.com