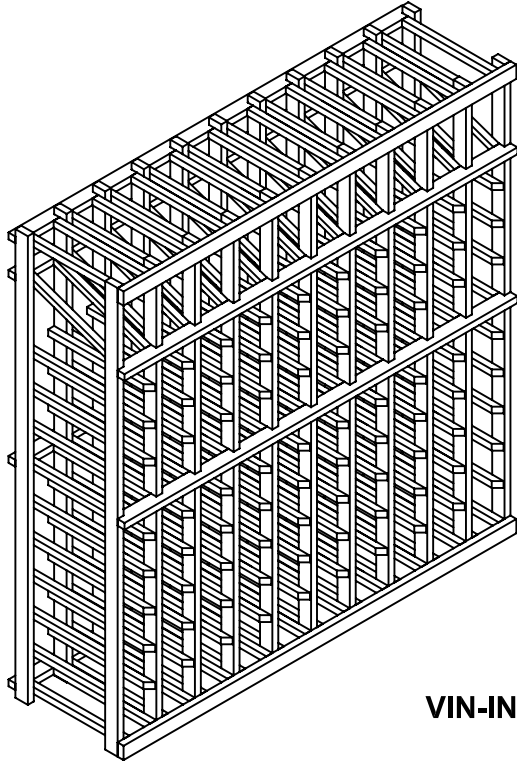


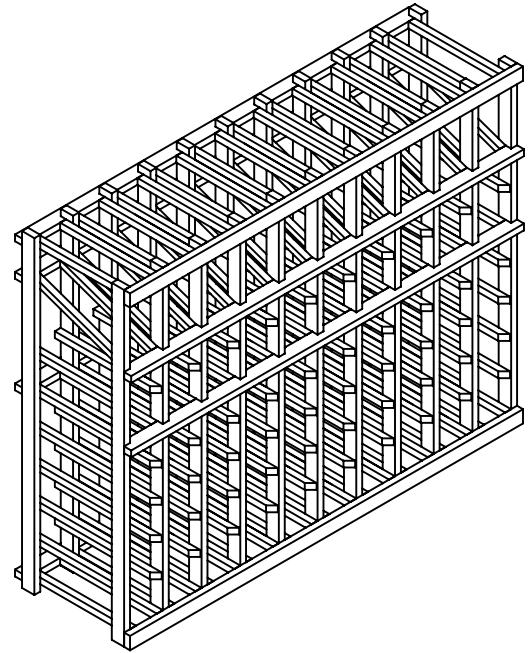
Vintner Series

Rev. 4/8/08

Individual Display

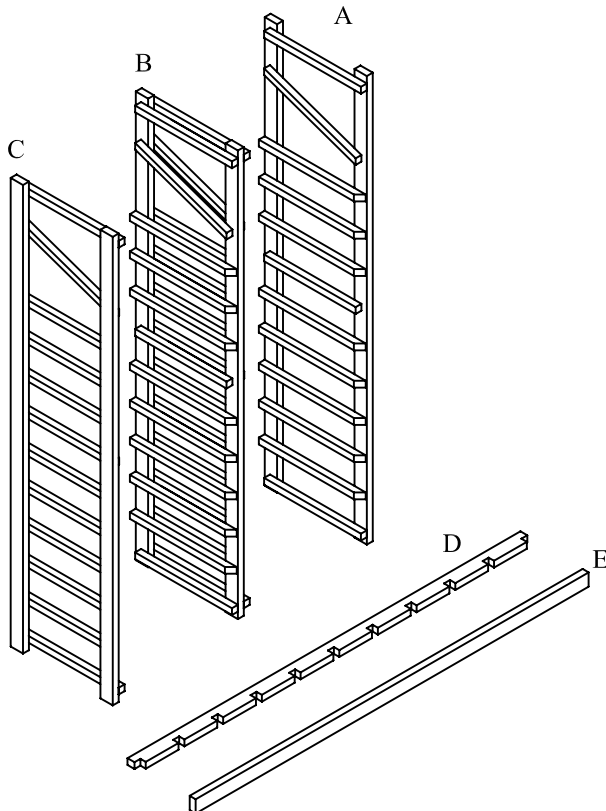


VIN-IND10DS



VIN3-IND10DS

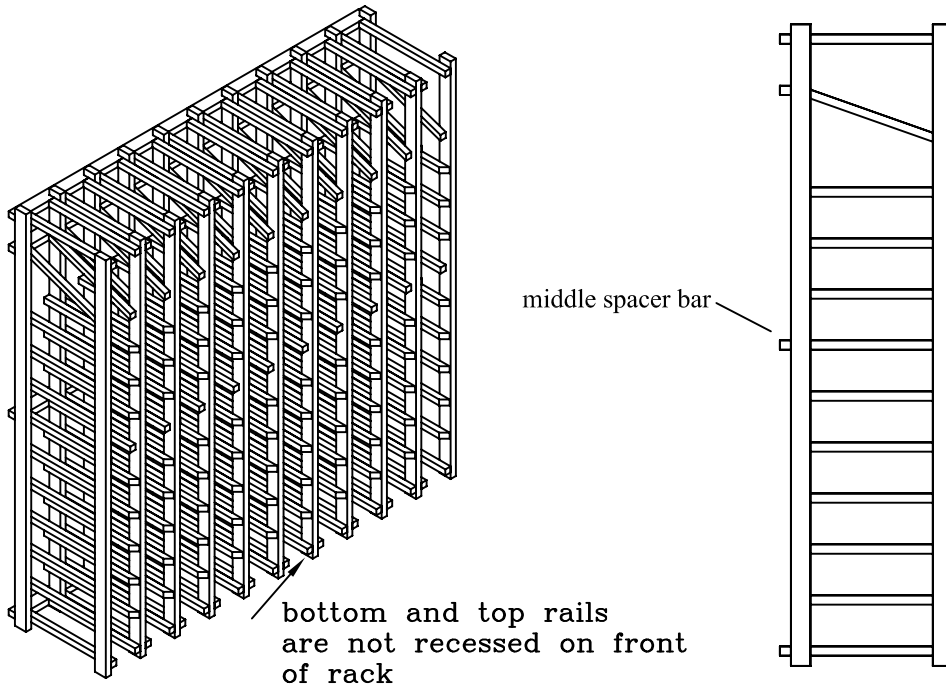
Note: The VIN-IND10DS is detailed in this manual however the assembly procedure for VIN-IND10DS and VIN3-IND10DS kit is the same.



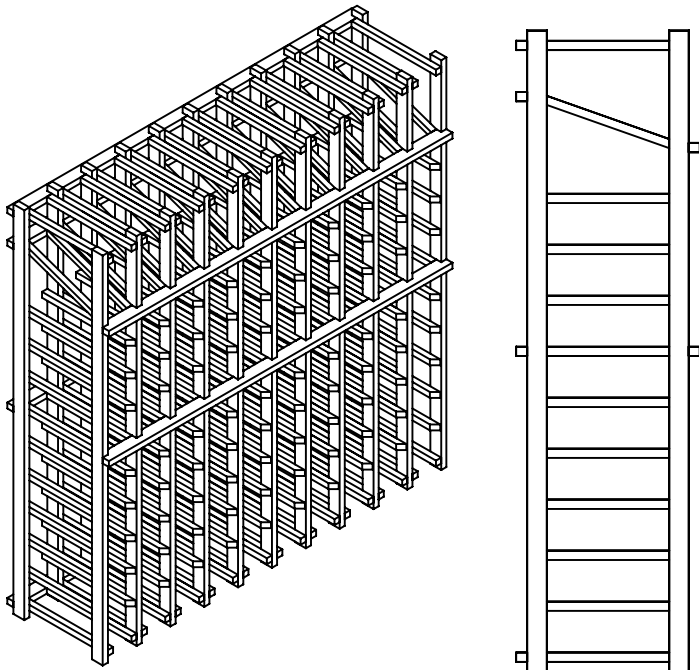
Parts List

#	qty.	description
A	1	Right Rack
B	9	Double Racks
C	1	Left Rack
D	6	Spacer bars
E	2	Top/ Bottom Trim
*	1	Bag of nails
*	1	Hardware Pack containing 2 1" Corner Brace 2 plastic anchors 2 1" #8 screws 2 5/8" #6 screws

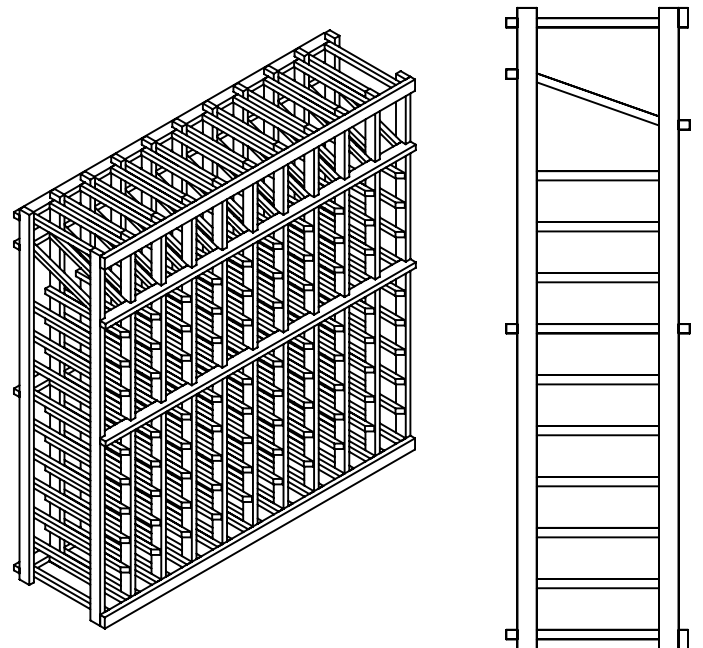
1. Attach (4) spacer bars to the back of the racks with nails. Top & bottom spacer bars should have a nail just on each end and the middle notch, the middle spacer bar should have a nail in each notch. This can be done with the provided nails or with a brad nailer.



2. Attach spacer bars to the front of the racks by nailing on the end and middle notches.



3. Attach top trim to front of racks with nails provided. If unit is not going to be stacked on top of another kit then attach bottom trim as well. If unit is going to be stacked on top of another kit then follow the trim kit instructions before attaching the bottom trim board.



Final Step

Securing to wall



Note: due to ceiling height restrictions it may be necessary to attach Corner brace on under side of Spacer bar.

Secure rack to wall by attaching 1" corner brace to top back spacer bar (or solid top) of unit. You will have 1 brace on the left and 1 on the right.

If you are securing a kit that is stacked on top of another unit follow the instructions for installing trim kit before attaching to wall.

Attach the corner braces to one of the middle spacer bars, if you have a bin unit or diamond cube unit that will have other racks stacked on top of it.