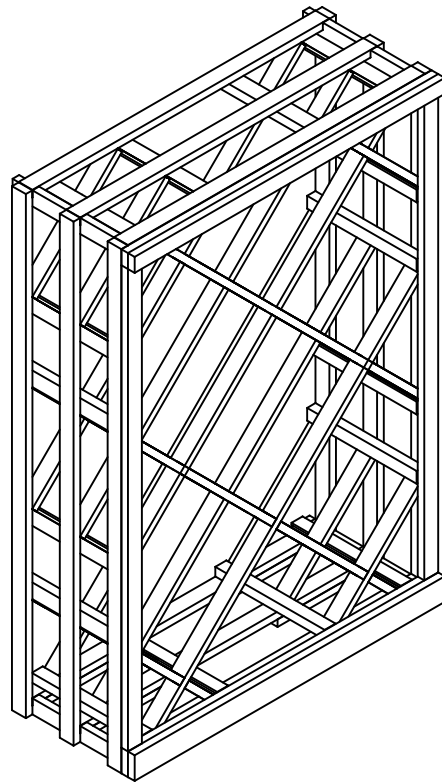


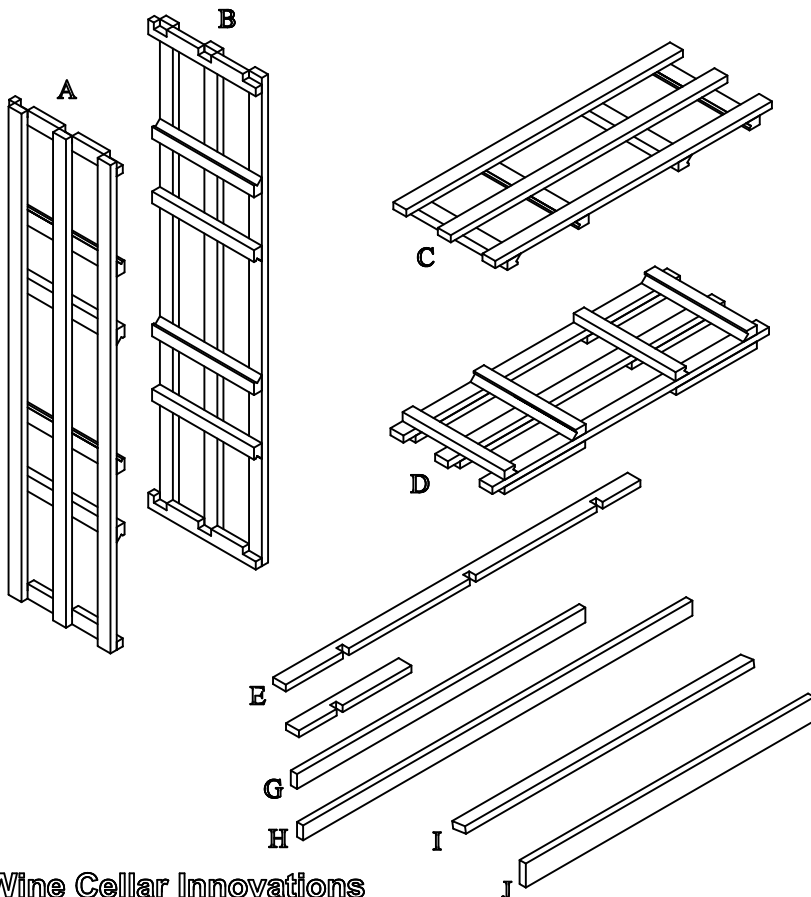
Vintner Series

Rev: 1/20/12

Open Diamond Bin



Parts List

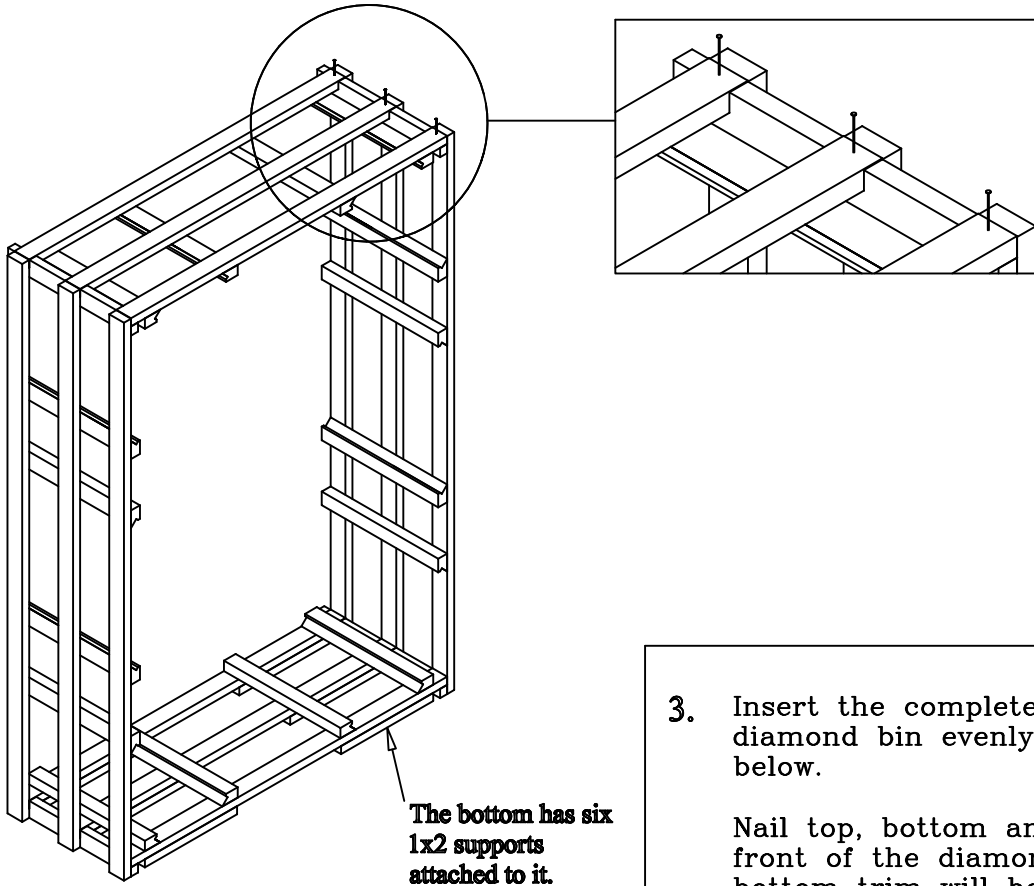


#	qty.	description
		Left Rack
		Right Rack
C	1	Top Rack
		Bottom Rack
	12	3 notch interlocks
	12	1 notch interlocks
G	2	Top Trim
H	2	Side Trim
I	2	Stackable Beam Supports
J	2	Bottom Trim
	1	Hardware Pack containing
		1 Bag of nails
		2 1" Corner Brace
		2 plastic anchors
		2 1" #8 screws
		2 5/8" #6 screws

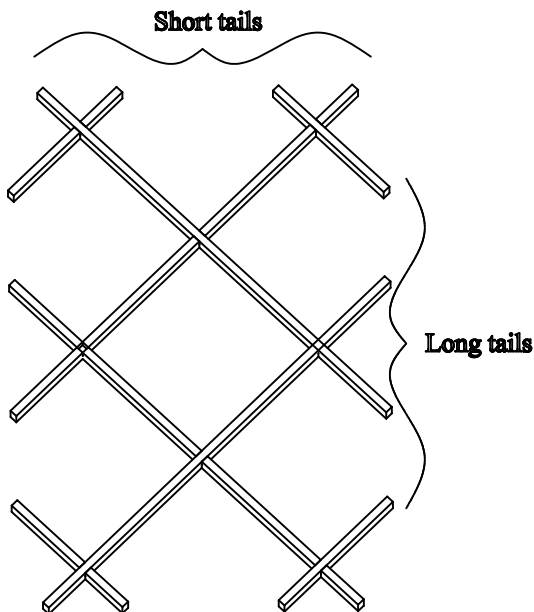
Wine Cellar Innovations
4575 Eastern Avenue
Cincinnati, Ohio 45226

Phone: (800) 229-9813
Fax: (513) 979-5280
www.winecellarinnovations.com

1. Locate the top and sides of the rack. The sides will be the longer of the two rack sizes, the top will be the shorter one without six 1x2 supports attached to the bottom. Making sure the notches in the sides are facing up, nail through the top into each notch of the sides. Repeat for the bottom.



2. Assemble a grid on the floor as shown being sure to nail through each intersection. Notice all short tails will face towards the top and bottom, the long tails towards the sides. Repeat for the other 2 grids.



3. Insert the completed grids into the diamond bin evenly spaced as shown below.

Nail top, bottom and side trim to the front of the diamonds bin. Your top and bottom trim will be double stacked.

If kit is going to be stacked with another kit follow trim kit instructions before attaching second bottom trim piece. If not then attach second bottom trim piece with nails.

