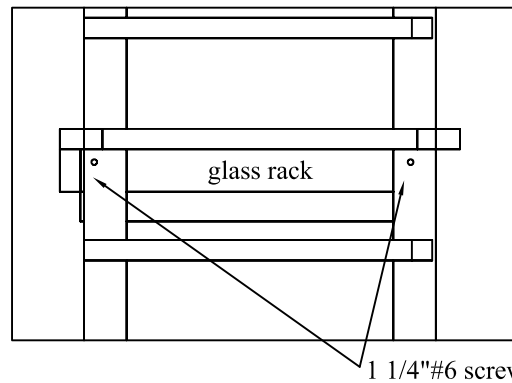
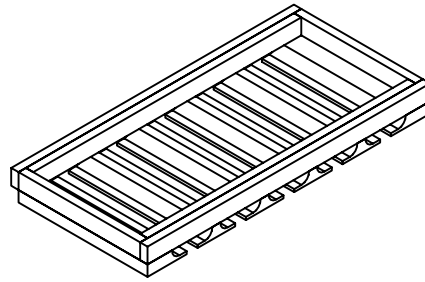
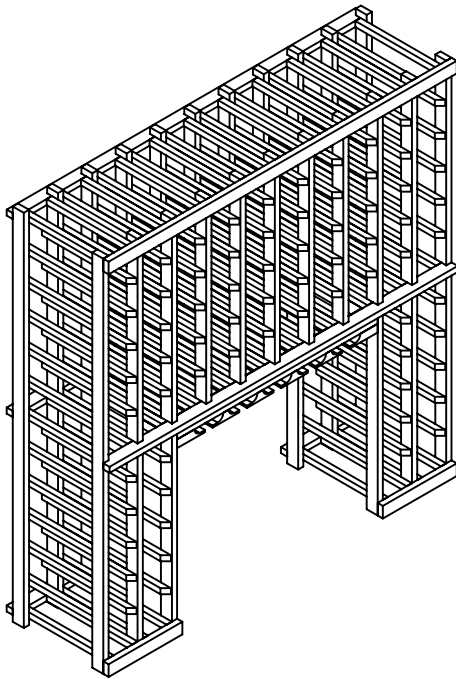


Vintner Series

Rev. 2/5/07

Glass Rack

includes: 4 1 1/4"#6 screws

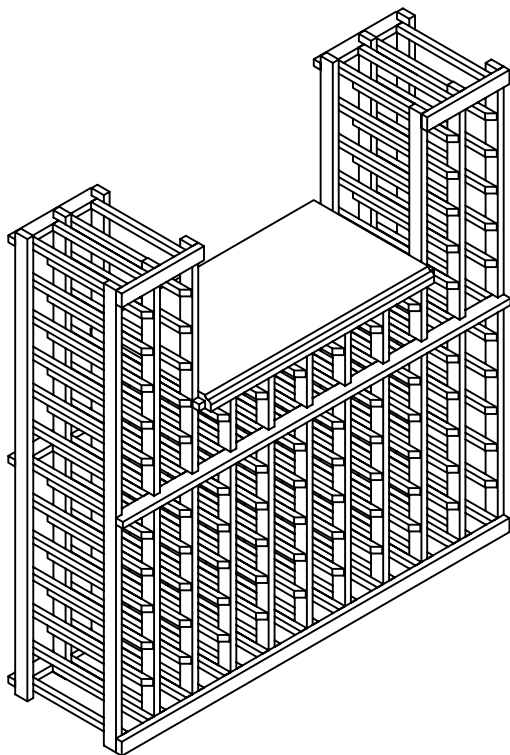


Screw through posts of racks into glass rack with four 1 1/4"#6 screws

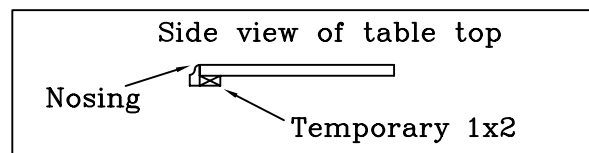
Table top and glass rack sold separately, all other kits shown sold separately.

Table Top

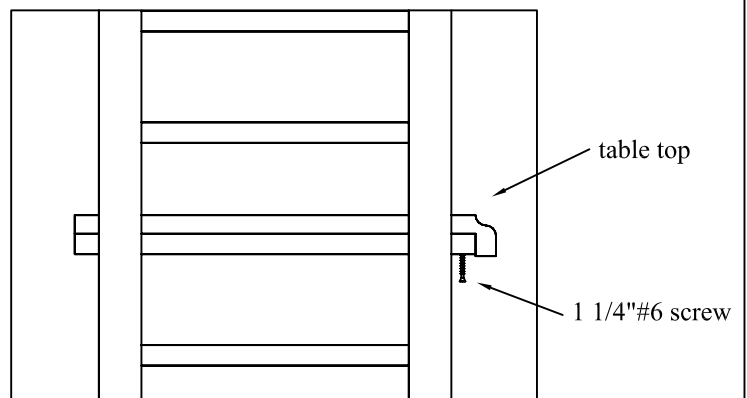
includes: 2 1 1/4"#6 screws



Remove temporary 1x2 behind table top nosing



Screw up through spacer bar into table top with two 1 1/4"#6 screws



Wine Cellar Innovations
4575 Eastern Avenue
Cincinnati, Ohio 45226

Phone: (800) 229-9813
Fax: (513) 979-5280
www.winecellarinnovations.com