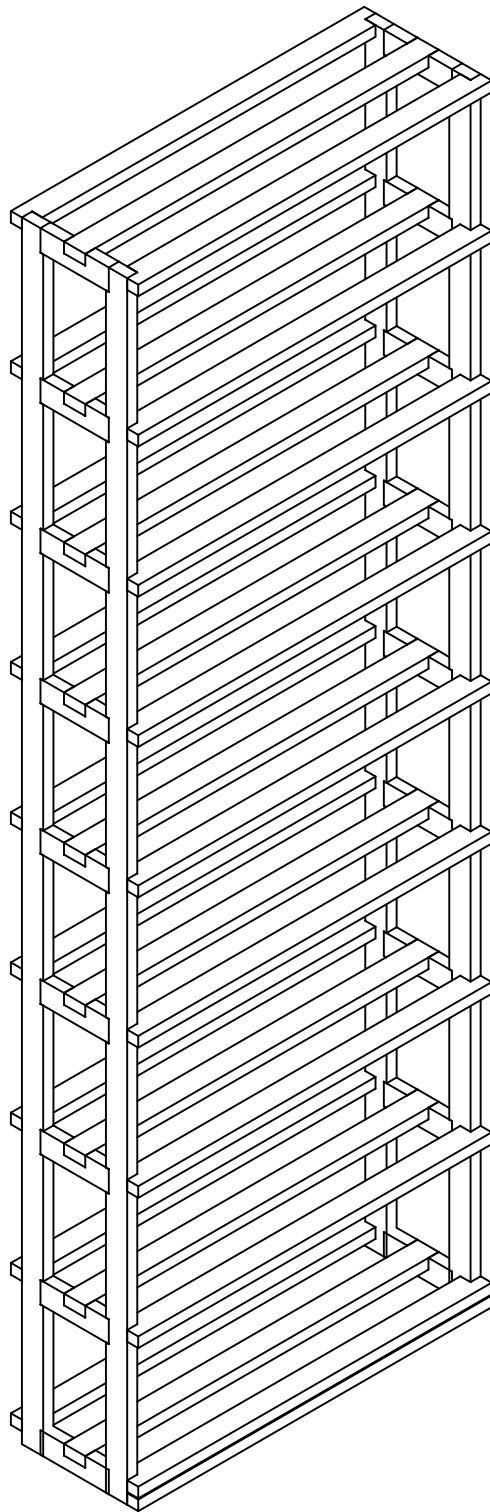


# Premium Clear Wood Case Rack

Rev. 4/18/08



**Wine Cellar Innovations**  
4575 Eastern Avenue  
Cincinnati, Ohio 45226

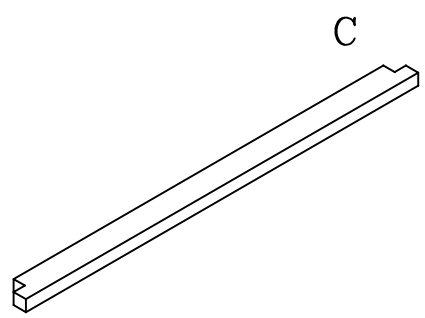
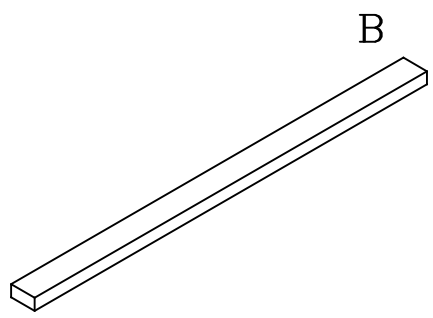
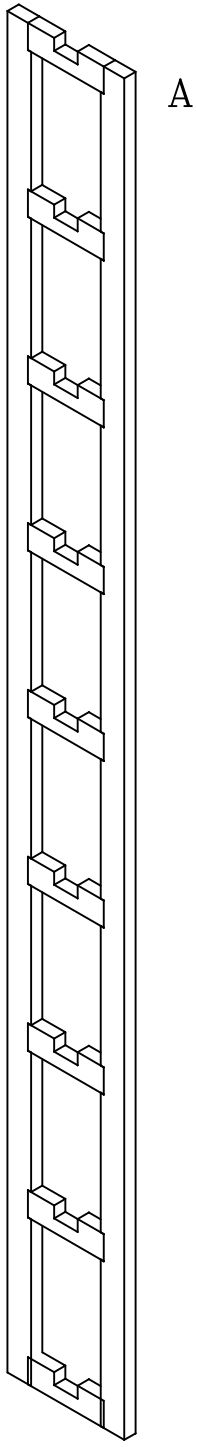
Phone: (800) 229-9813  
Fax: (513) 979-5280  
[www.winecellarinnovations.com](http://www.winecellarinnovations.com)

Wood Case

Rev. 4/18/08

Parts List

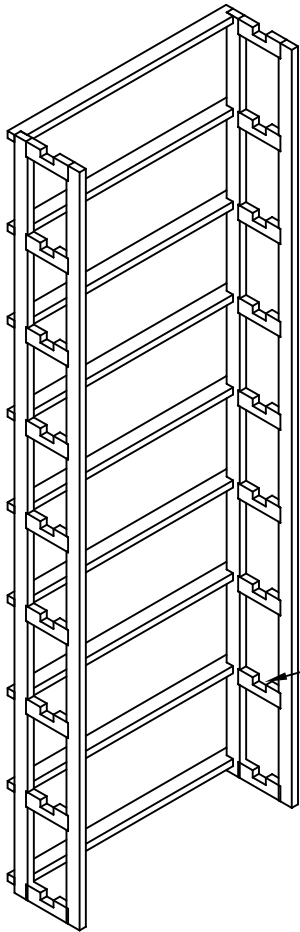
#	qty.	description
A	2	Racks
B	9	Slats
C	19	Spacer bars
*	1	Bag of nails
*	1	Hardware Pack containing 2 angle brackets 2 plastic anchors 2 1" #8 screws 2 5/8" #6 screws



1.

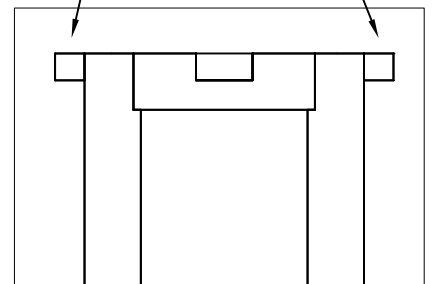
a. Attach (9) spacer bars to racks with nails

Nail the nails into each spacer bar. This can be done with the provided nails or with a brad nailer.



notches on rails  
need to face ceiling

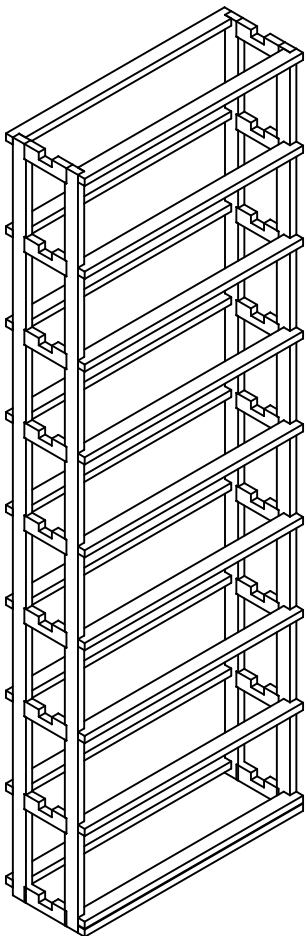
Spacer bars should be  
flush with the top of  
the rails.



2.

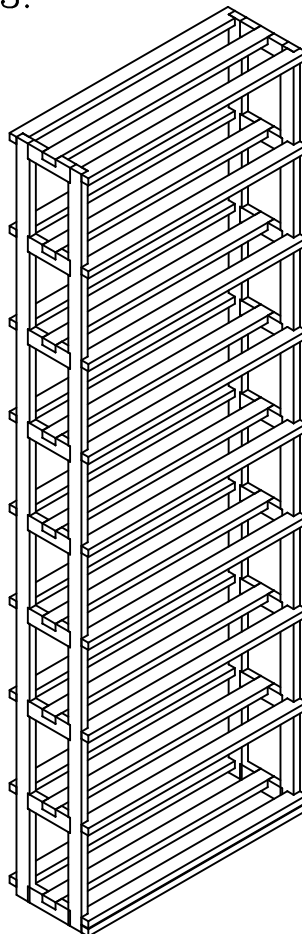
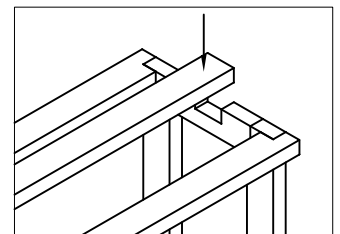
Attach 10 spacer bars  
to the front of the  
racks as in step 1.

Note: 2 spacer bars  
are stacked on the  
bottom.

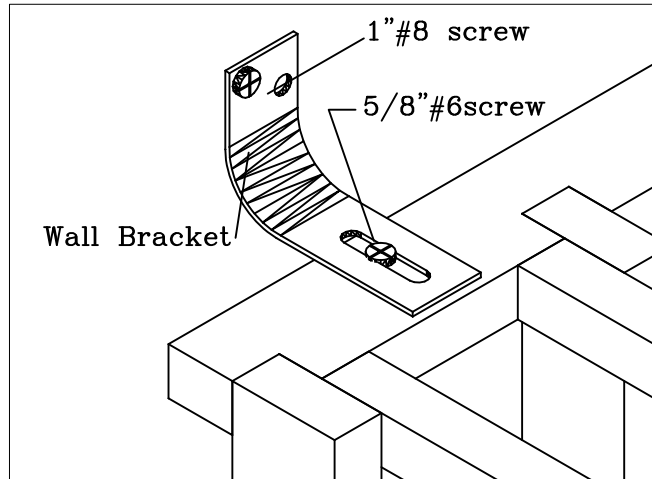


3.

Insert (9) slats into  
notched rails.



4.



Secure rack to wall by attaching wall brackets to top back spacer bar. You will have 1 bracket on the left and 1 on the right.

Wood Case  
assembly complete.

always remove bottles before moving racks.

**Wine Cellar Innovations**  
4575 Eastern Avenue  
Cincinnati, Ohio 45226

Phone: (800) 229-9813  
Fax: (513) 979-5280  
[www.winecellarinnovations.com](http://www.winecellarinnovations.com)