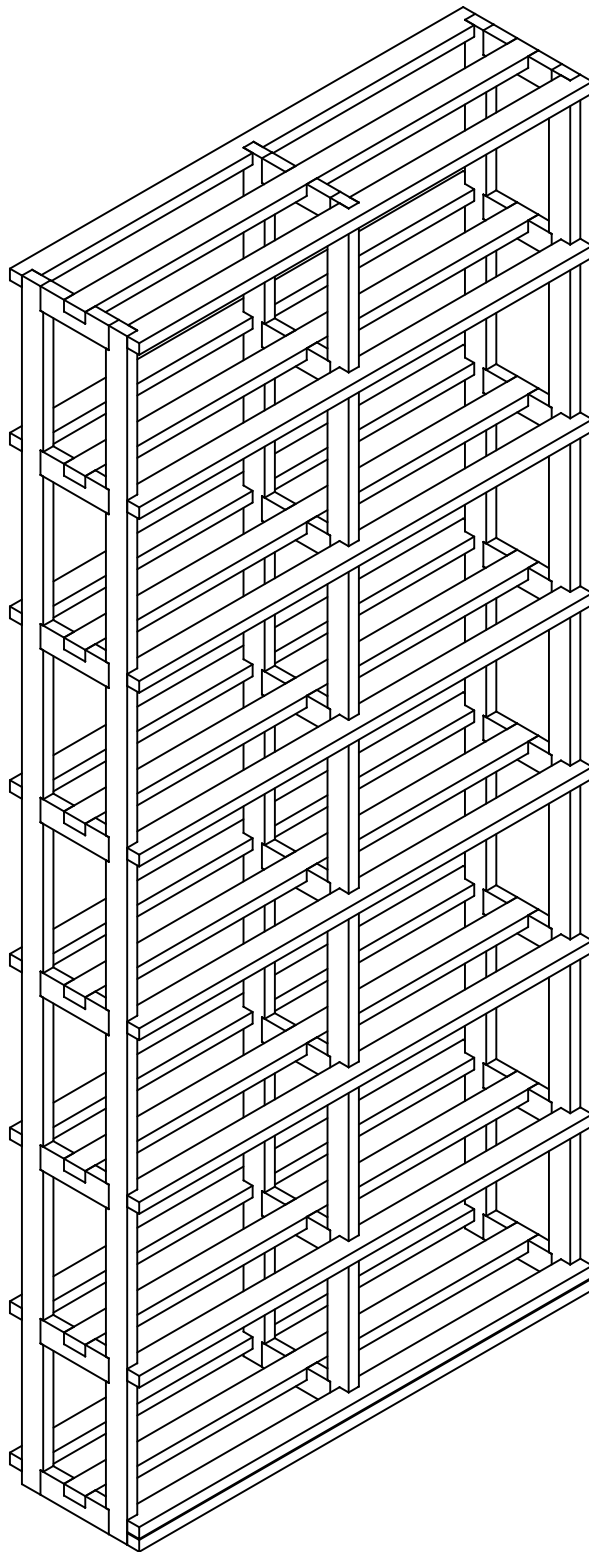


Premium Clear Redwood Rectangular Bin

Rev. 4/18/08



Wine Cellar Innovations
4575 Eastern Avenue
Cincinnati, Ohio 45226

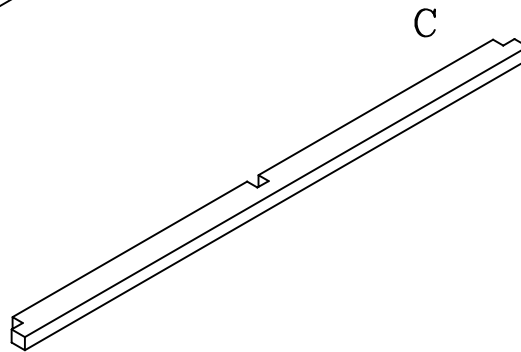
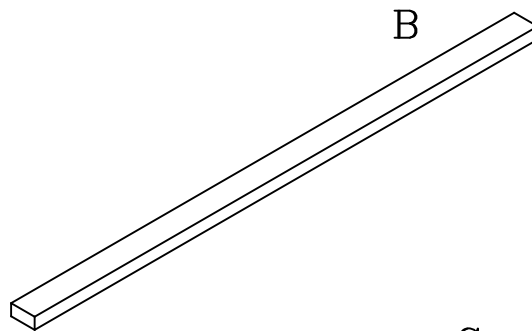
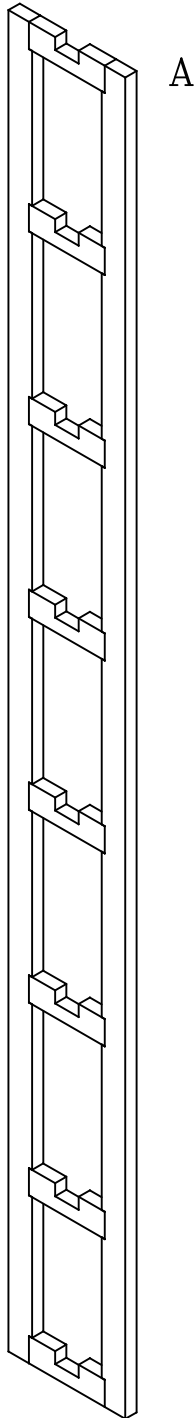
Phone: (800) 229-9813
Fax: (513) 979-5280
www.winecellarinnovations.com

Rectangular Bin

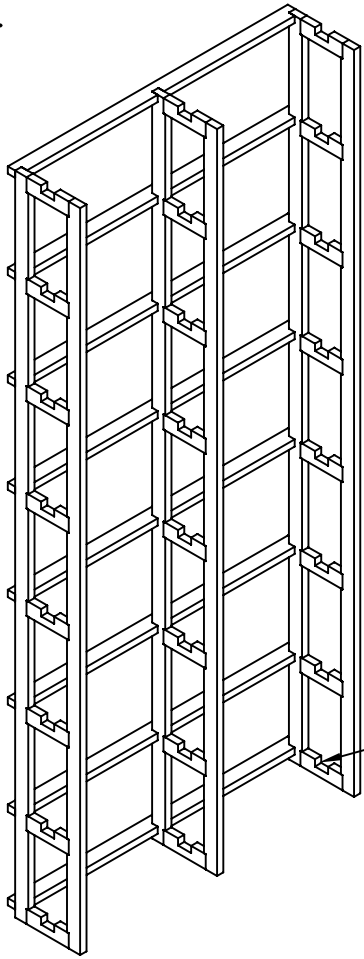
Rev. 4/18/08

Parts List

#	qty.	description
A	3	Racks
B	8	Slats
C	17	Spacer bars
*	1	Bag of nails
*	1	Hardware Pack containing 2 angle brackets 2 plastic anchors 2 1" #8 screws 2 5/8" #6 screws



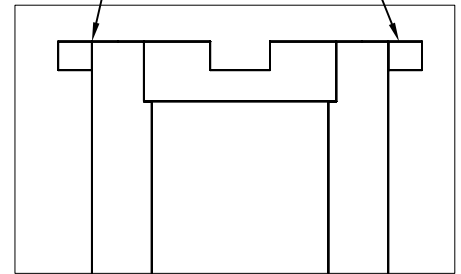
1.



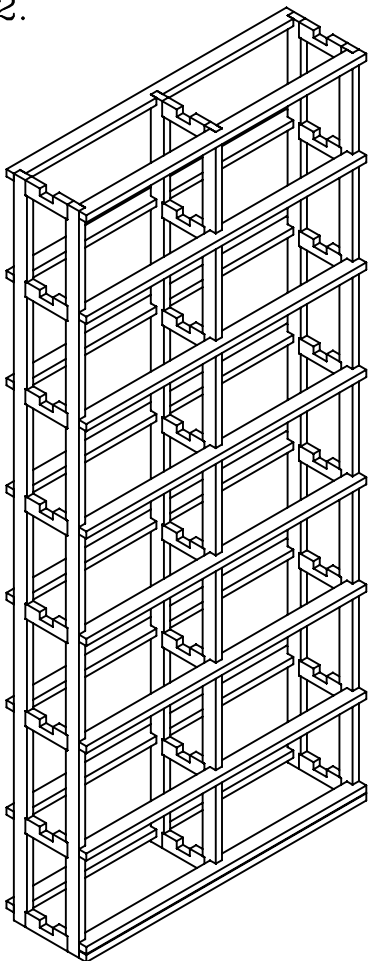
a. Attach (8) spacer bars to racks with nails
Nail the nails into each spacer bar. This can be done with the provided nails or with a brad nailer.

notches on rails
need to face ceiling

Spacer bars should be
flush with the top of
the rails.



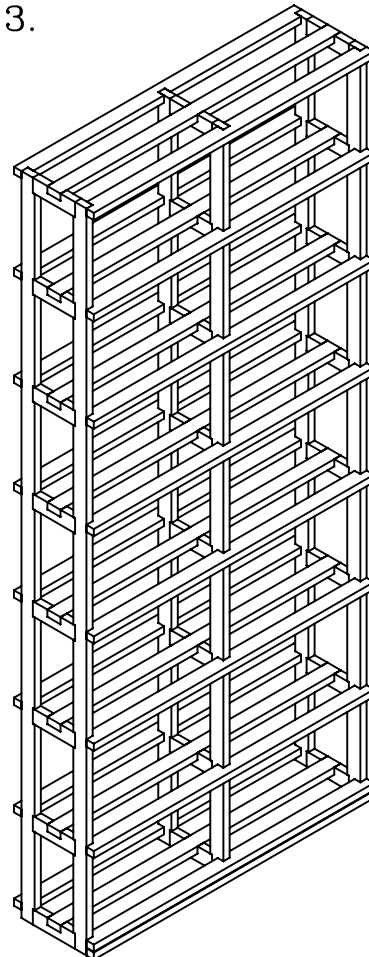
2.



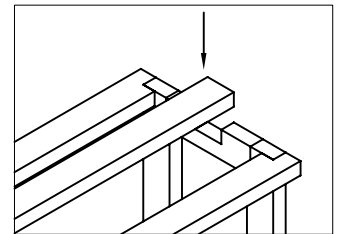
Attach 9 spacer bars
to the front of the
racks as in step 1.

Note: 2 spacer bars
are stacked on the
bottom.

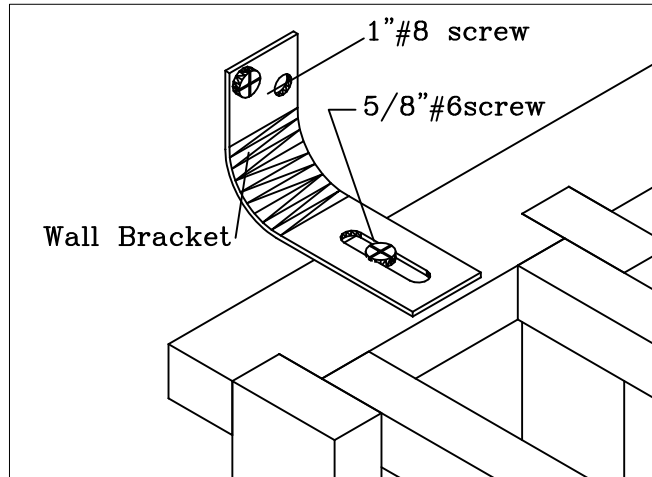
3.



Insert (8) slats into
notched rails.



4.



Secure rack to wall by attaching wall brackets to top back spacer bar. You will have 1 bracket on the left and 1 on the right.

Rectangular bin
assembly complete.

always remove bottles before moving racks.

Wine Cellar Innovations
4575 Eastern Avenue
Cincinnati, Ohio 45226

Phone: (800) 229-9813
Fax: (513) 979-5280
www.winecellarinnovations.com