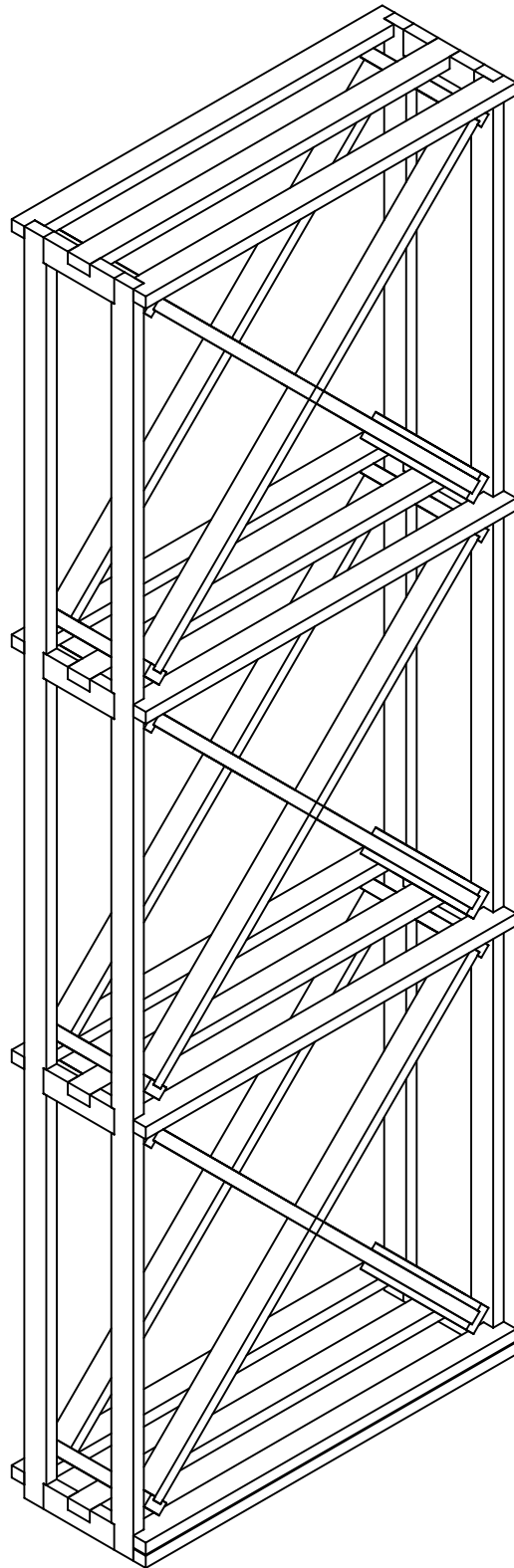


# Premium Clear Redwood Open Diamond Cube

Rev. 4/17/08



**Wine Cellar Innovations**  
4575 Eastern Avenue  
Cincinnati, Ohio 45226

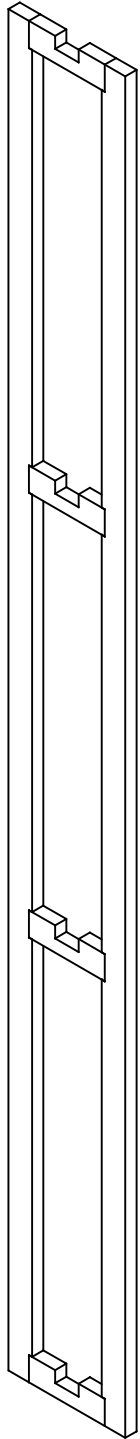
Phone: (800) 229-9813  
Fax: (513) 979-5280  
[www.winecellarinnovations.com](http://www.winecellarinnovations.com)

# Open Diamond Cube

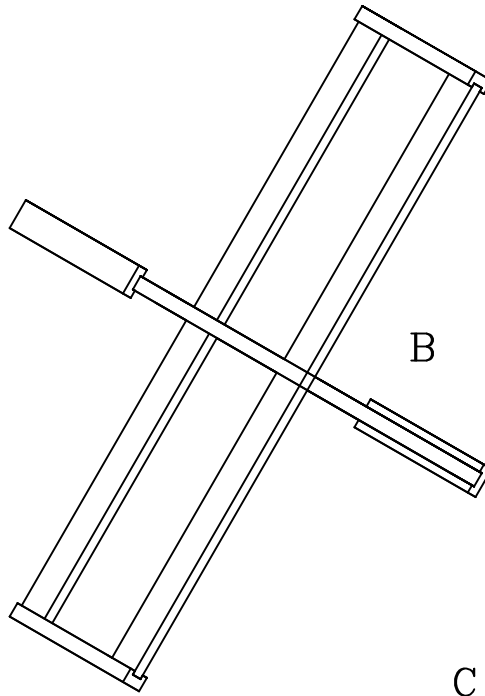
Rev. 4/17/08

## Parts List

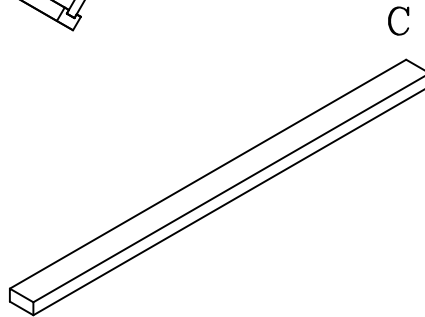
#	qty.	description
A	2	Racks
B	3	X interlocks
C	4	Slats
D	9	Spacer bars
*	1	Bag of nails
*	1	Hardware Pack containing 2 angle brackets 2 plastic anchors 2 1" #8 screws 2 5/8" #6 screws



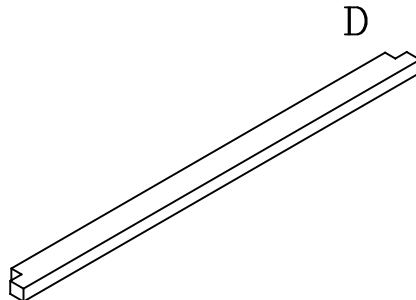
A



B

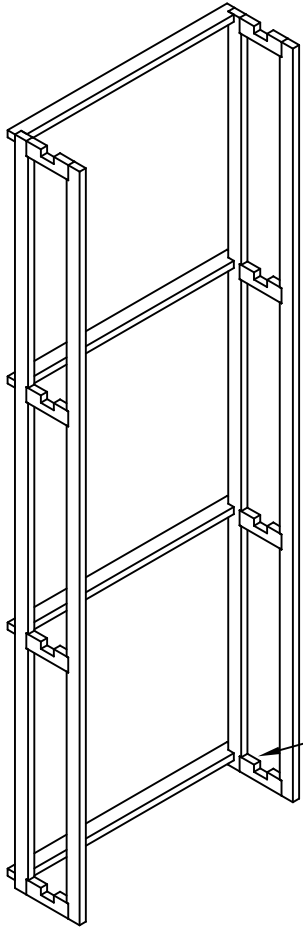


C



D

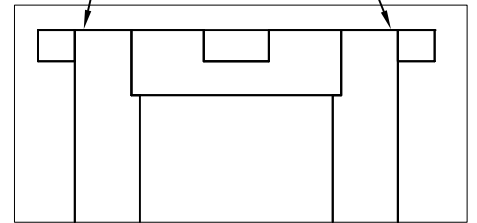
1.



a. Attach (4) spacer bars to racks with nails

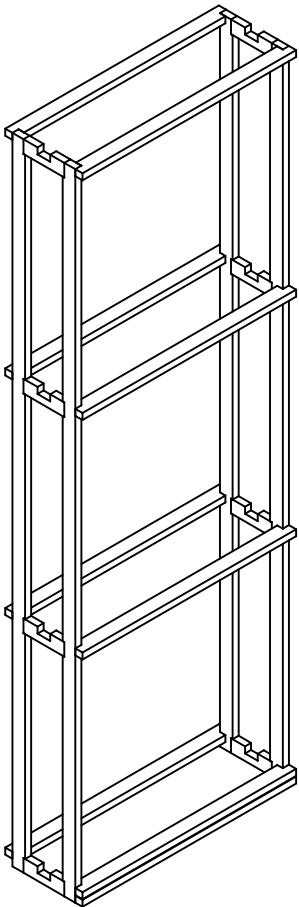
Nail the nails into each spacer bar. This can be done with the provided nails or with a brad nailer.

Spacer bars should be flush with the top of the rails.



notches on rails  
need to face ceiling

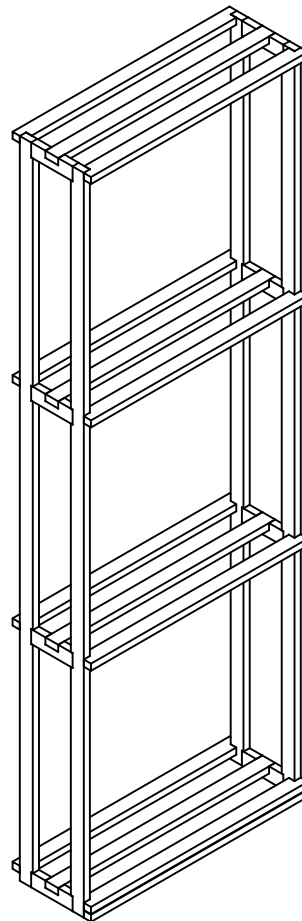
2.



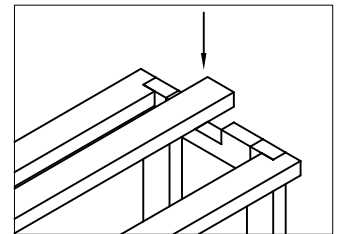
Attach 5 spacer bars to the front of the racks as in step 1.

Note: 2 spacer bars are stacked on the bottom.

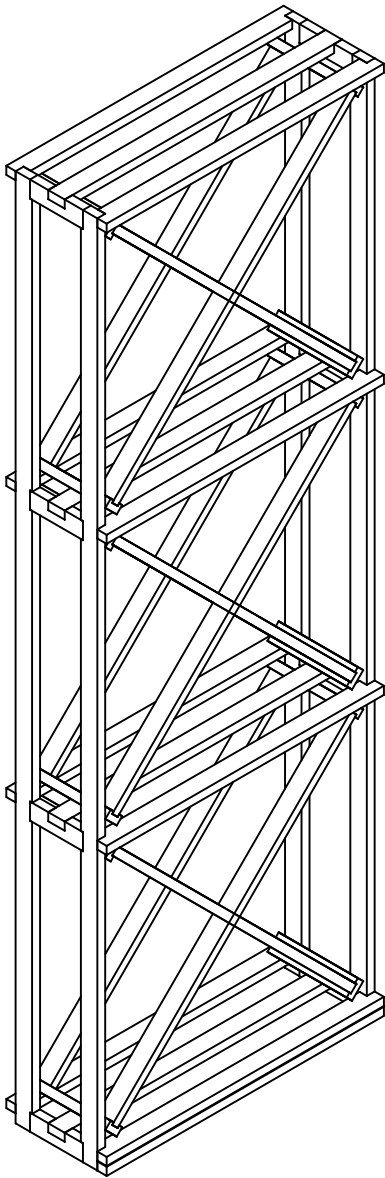
3.



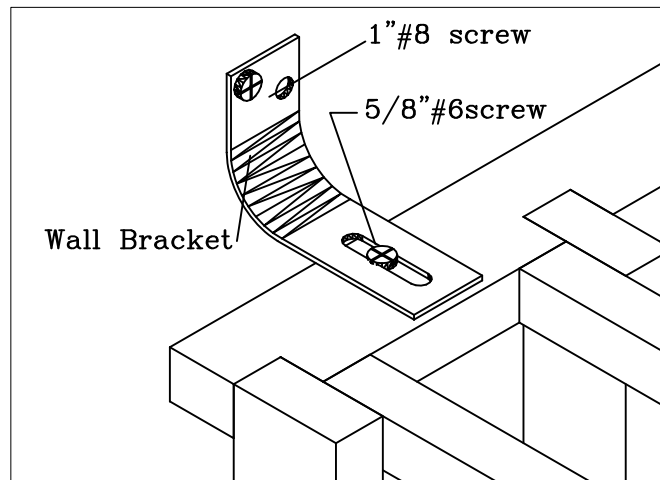
Insert (4) slats into notched rails.



4.



Insert (3) X interlocks into openings. Do not nail in place.



Secure rack to wall by attaching wall brackets to top back spacer bar. You will have 1 bracket on the left and 1 on the right.

## Open Diamond Cube assembly complete.

always remove bottles before moving racks.

**Wine Cellar Innovations**  
4575 Eastern Avenue  
Cincinnati, Ohio 45226

Phone: (800) 229-9813  
Fax: (513) 979-5280  
[www.winecellarinnovations.com](http://www.winecellarinnovations.com)