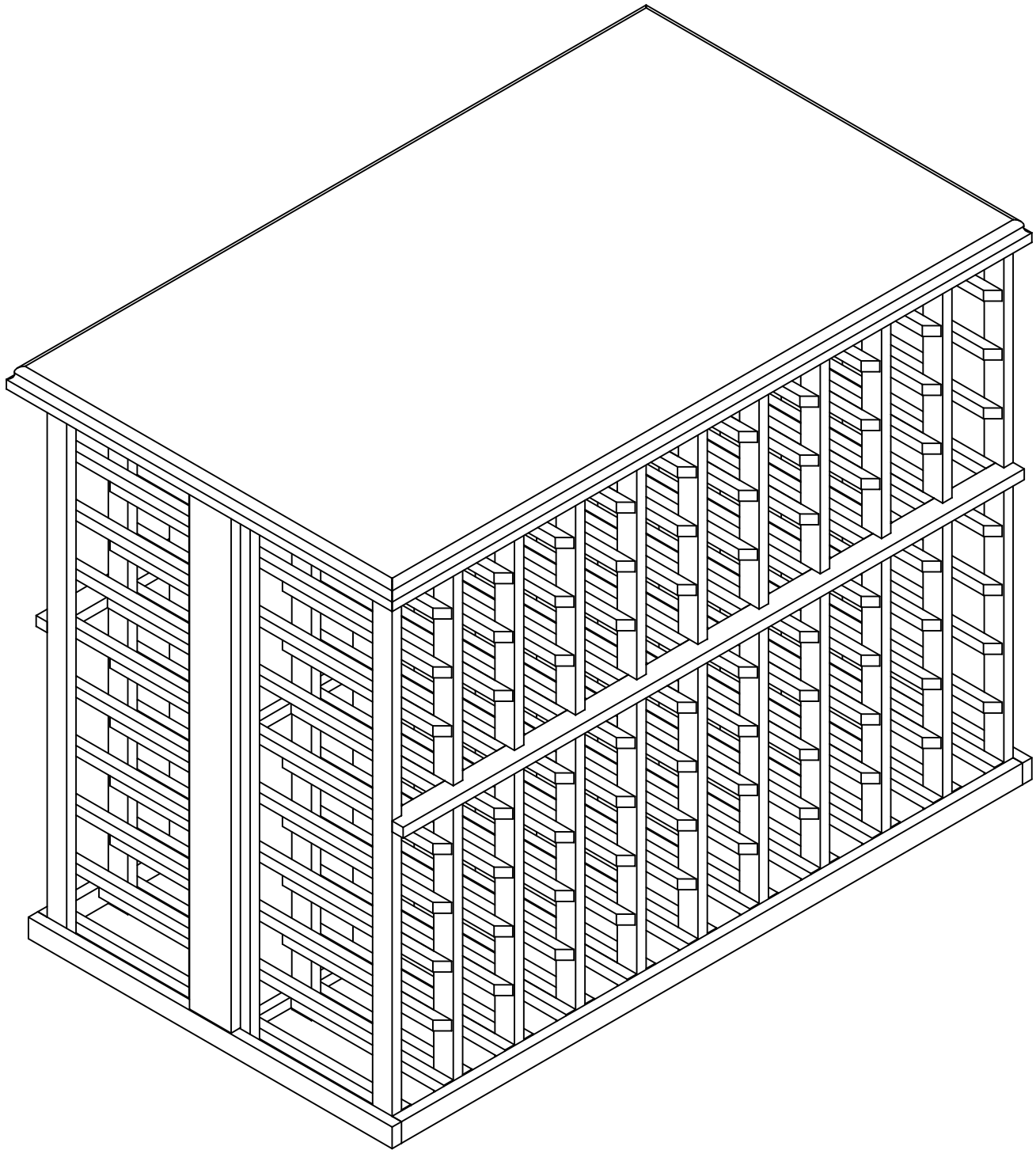


ATT180 Bottle Tasting Table

Rev. 4/22/08



Wine Cellar Innovations
4575 Eastern Avenue
Cincinnati, Ohio 45226

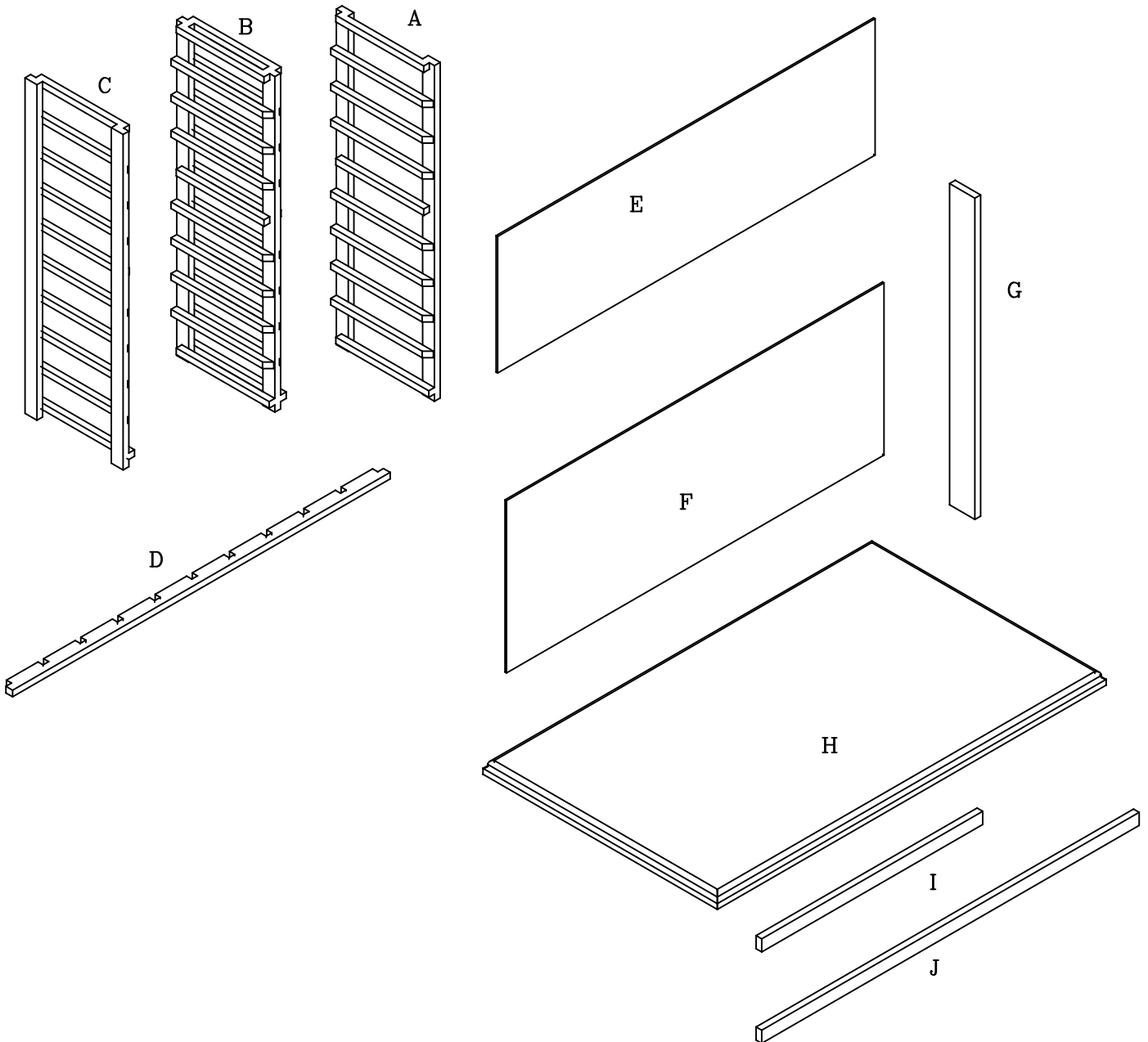
Phone: (800) 229-9813
Fax: (513) 979-5280
www.winecellarinnovations.com

180 Bottle Table

Parts List

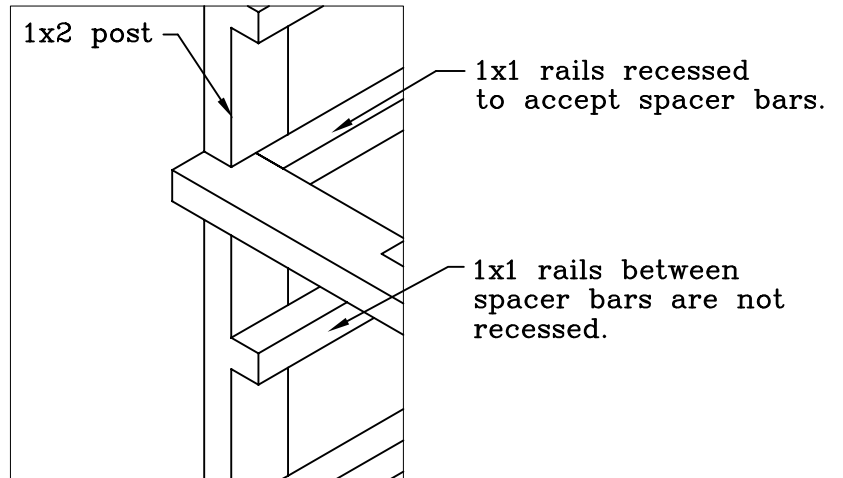
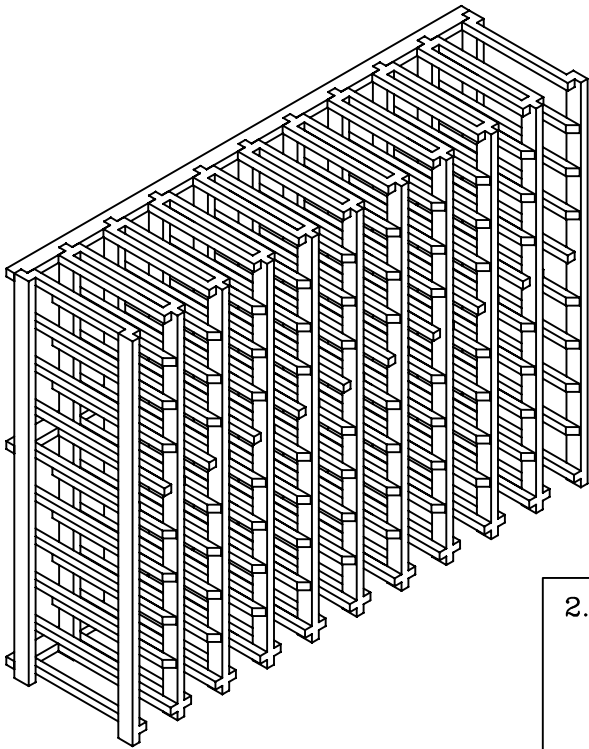
Rev. 4/22/08

#	qty.	description
A	2	Left
B	18	Doubles
C	2	Right
D	10	Spacer Bars
E	2	1/4" Ply Back
F	2	1/4" Ply Back
G	2	Side Panel
H	1	Table Top
I	2	Side Trim
J	2	Front Trim
*	6	1" #8 Screw
*	1	Bag of Nails

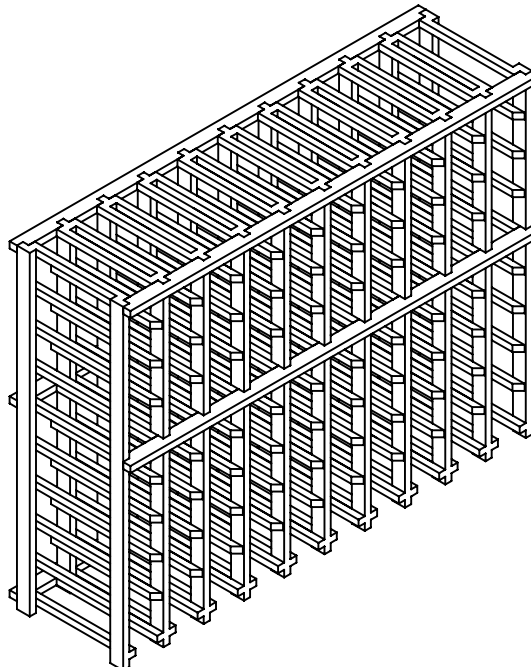


1. Attach (3) spacer bars to the back of the racks with nails.

Top & bottom spacer bars should have a nail just on each end and middle notch, the middle spacer bar should have a nail in each notch. This can be done with the provided nails or with a brad nailer.

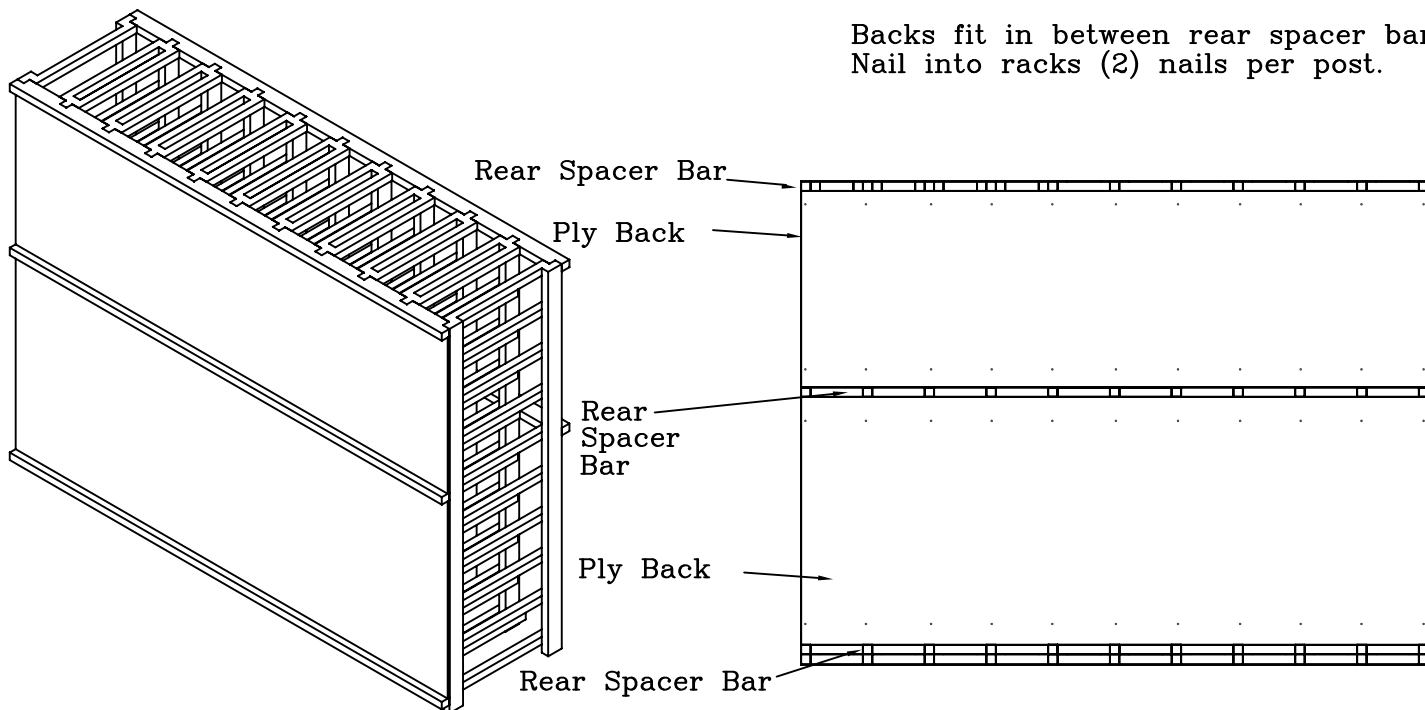


2. Attach 2 spacer bars to the front of the racks. Nail through end and middle notches into post.



3.

Attach (2) 1/4" ply backs to rear of racks.
Top ply back is slightly shorter than bottom
ply back.



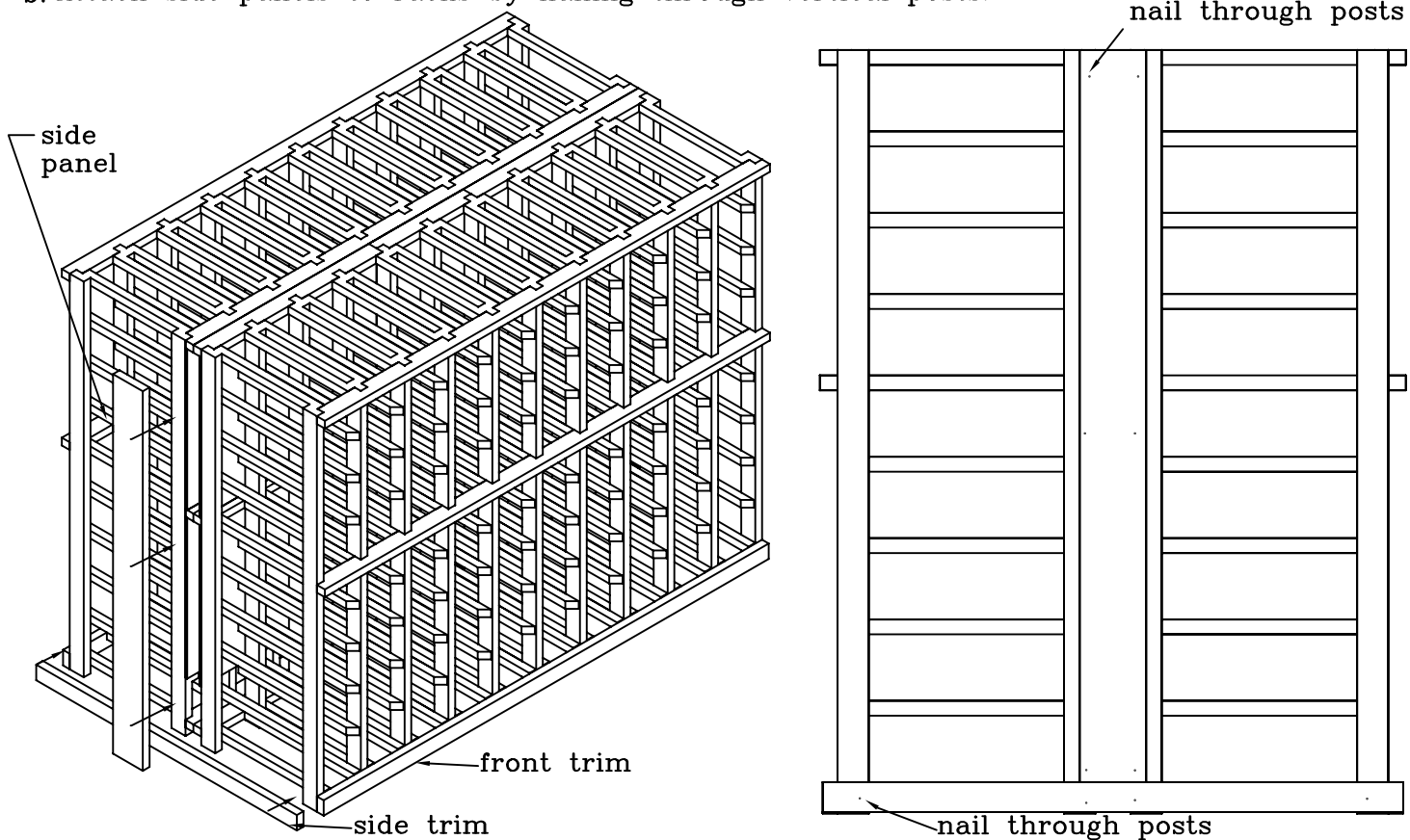
Backs fit in between rear spacer bars.
Nail into racks (2) nails per post.

**** Repeat Steps 1-3 for Remaining half of kit ****

4.

a. Attach side & front trims to bottom of all sides by nailing through vertical posts.

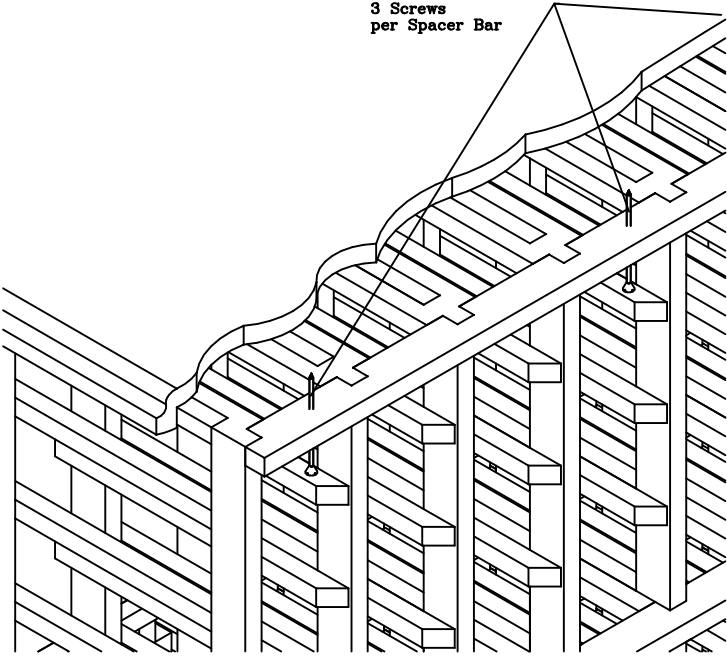
b. Attach side panels to racks by nailing through vertical posts.



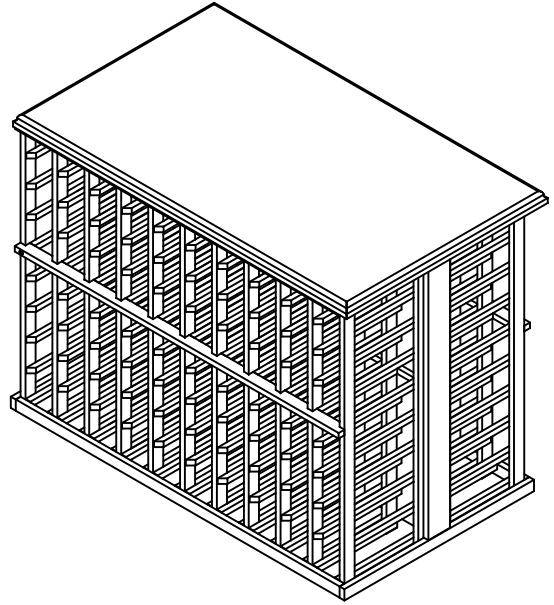
5.

Attach table top to kit by screwing up through top spacer bars with (6) 1" #8 screws into table top.

3 Screws
per Spacer Bar



Note: predrill spacer bar with a 1/8" drill bit to reduce risk of splitting wood.



180 Bottle Table Assembly complete.
Always remove all bottles before moving
kit.

Phone: (800) 229-9813

Fax: (513) 979-5280

www.winecellarinnovations.com