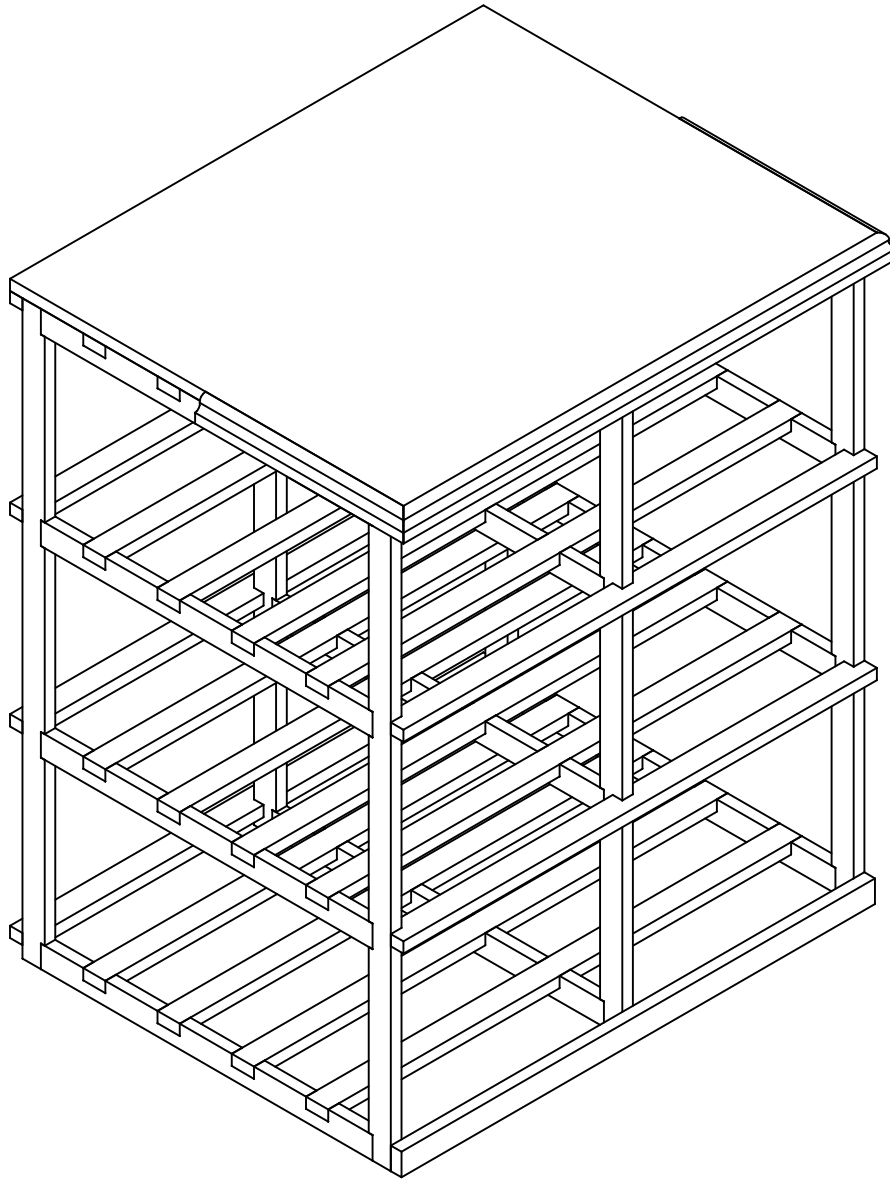


Designer Series

Rev. 6/9/08

Double Deep Case with Table Top



Thank you for your purchase from Wine Cellar Innovations. In the manufacturing and packaging of your products numerous people have reviewed your order for accuracy and attention to detail. We believe this focus is what has made us the worldwide leader in wine storage products.

When assembling the products, please refer to the instructions provided and follow them closely. Always pre-drill pieces any time a screw will be used as a fastener. The cellar has been engineered with the weight of the bottles factored into the layout, and will be capable of sustaining loads far greater than this when assembled correctly.

If you happen to break a piece during installation we will replace it for free. In such a situation, feel free to contact us Monday through Friday between 8am and 5pm Eastern time.

Wine Cellar Innovations
4575 Eastern Avenue
Cincinnati, Ohio 45226

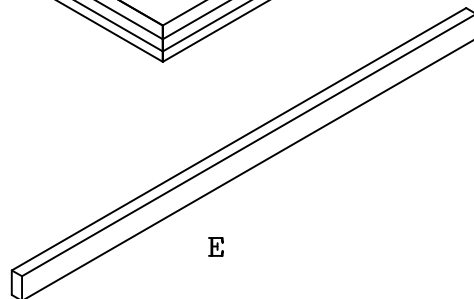
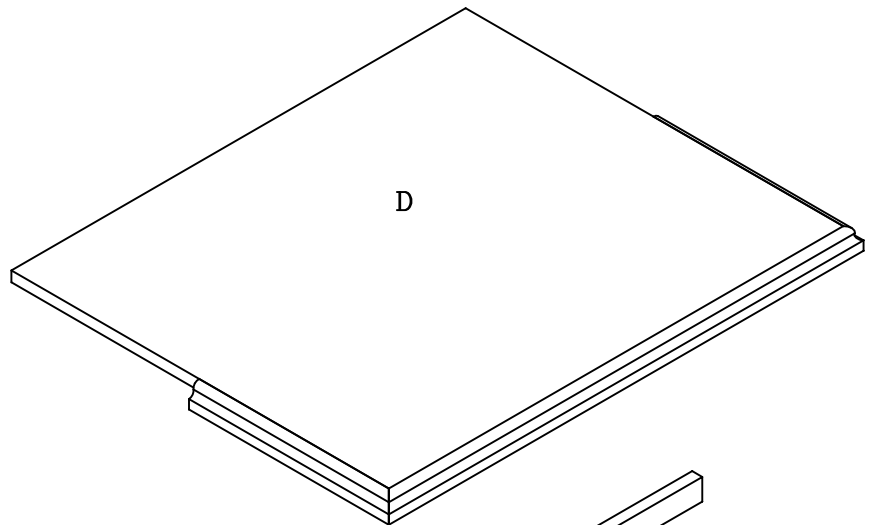
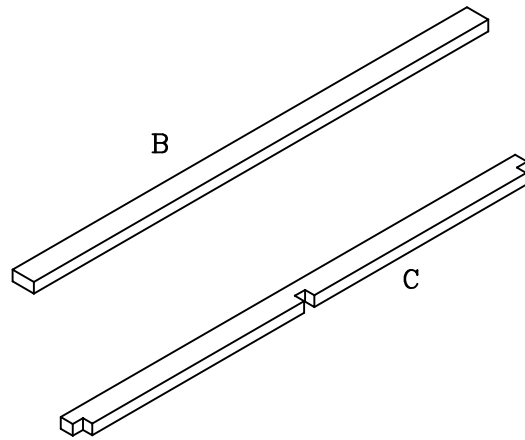
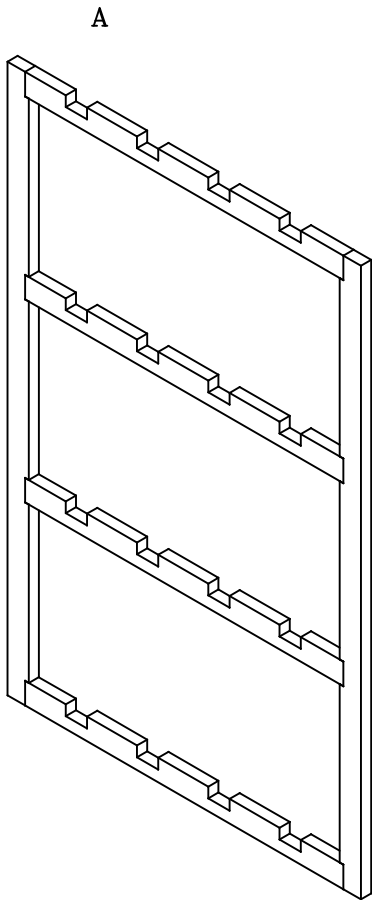
Phone: (800) 229-9813
Fax: (513) 979-5280
www.winecellarinnovations.com

Double Deep Case with Table Top

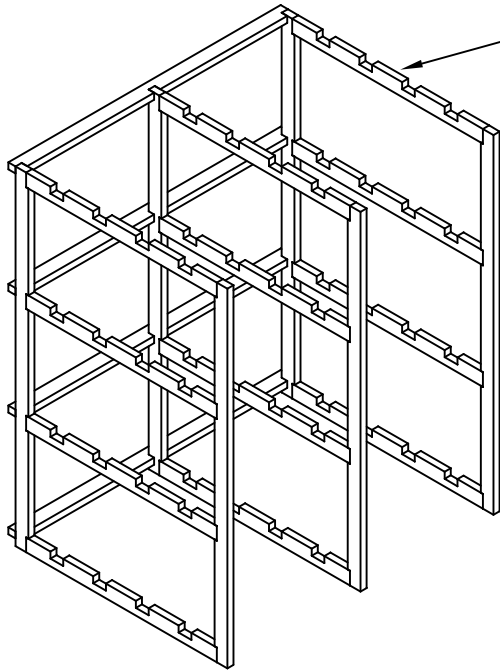
Rev. 6/9/08

Parts List

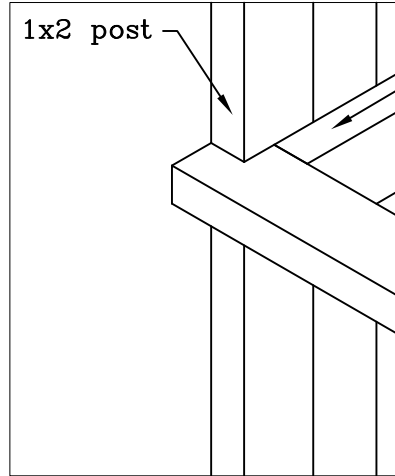
#	qty.	description
A	3	Racks
B	16	Slats
C	7	Spacer bars
D	1	Table Top
E	1	Sq. Cut Base
*	4	1" #8 screws
*	1	Bag of nails
*	1	Hardware Pack containing 2 angle brackets 2 plastic anchors 2 1" #8 screws



1. Attach (4) spacer bars to racks with nails
Nail through notches in spacer bars into post. This can be done with provided nails or with a brad nailer.



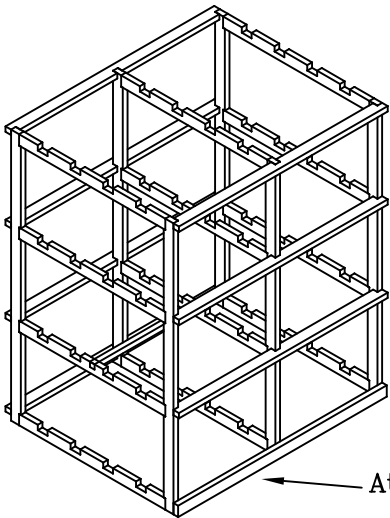
notches on rails
need to face ceiling



1x2 post

Spacer Bars should be
flush with top of rails.

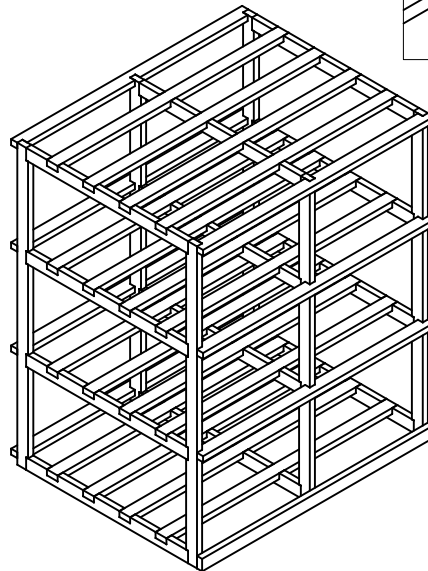
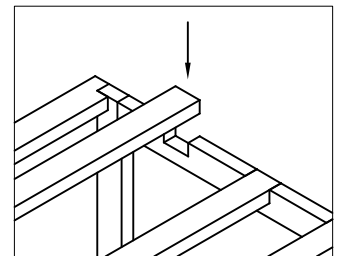
2. Attach 3 spacer bars to the front of the racks in the same manner as step 1.



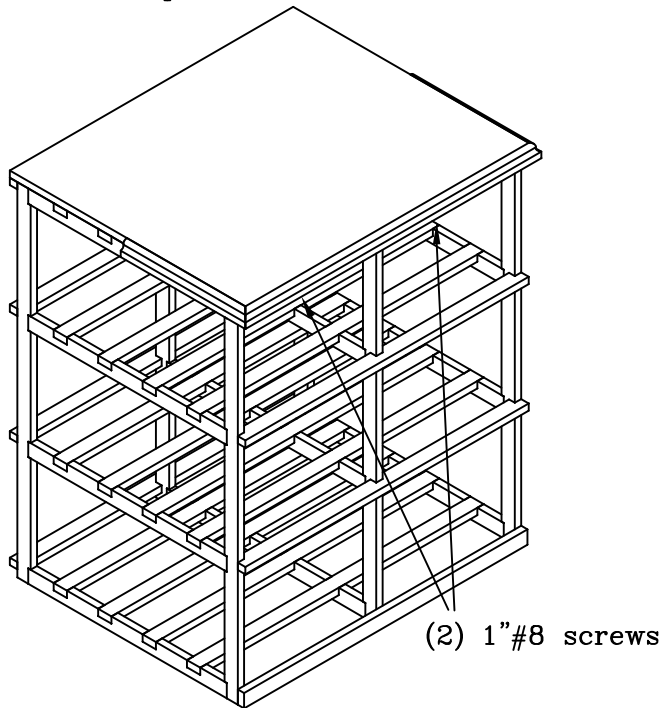
Attach sq. cut base.

Note: Sq. cut base will not be used
if additional moldings are purchased.

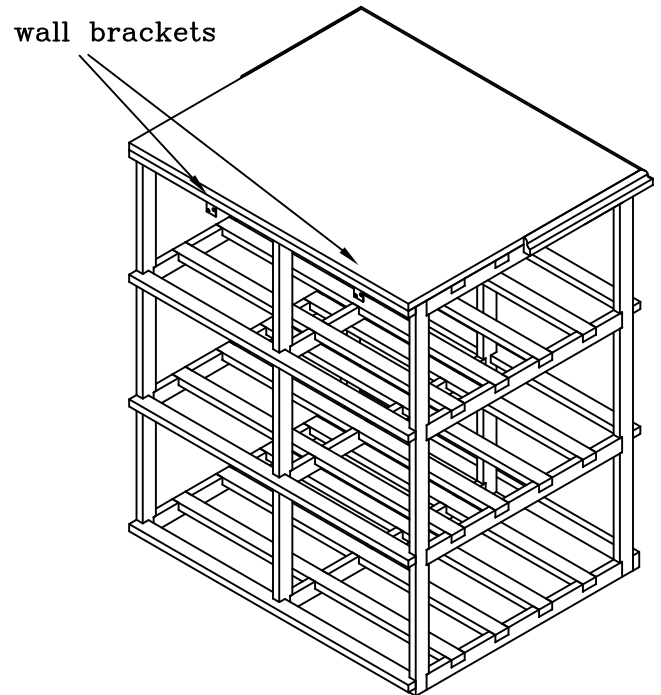
3. Insert (16) slats into notched rails.



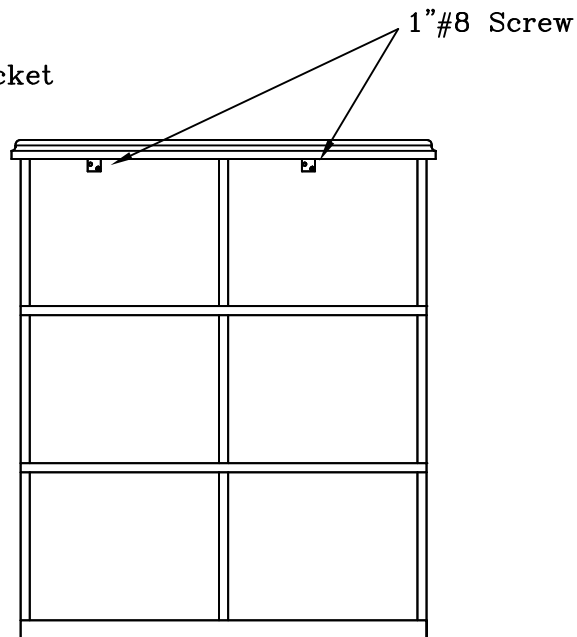
4. Screw Through top front spacer bar into table top.



5. Use 1" #8 screws to attach wall brackets to back top spacer bar. Screw up through spacer bar into table top.



6. Screw through wall bracket into wall with (1) 1" #8 screw per bracket



Double Deep Case
assembly complete.

always remove bottles before moving racks.

Wine Cellar Innovations
4575 Eastern Avenue
Cincinnati, Ohio 45226

Phone: (800) 229-9813
Fax: (513) 979-5280
www.winecellarinnovations.com