

Designer Series

Rev: 3/3/09

Straight Base and Crown Molding

* Note: Base/ Crown moldings are the same size and have the same OG profile. Crown molding will be inverted when attached to racks.

Note: The following material is for instructional use only. Diagrams do not necessarily represent exact items ordered by customer.

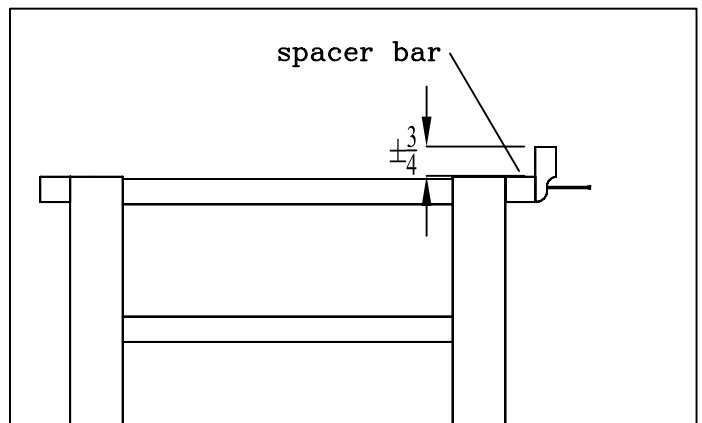
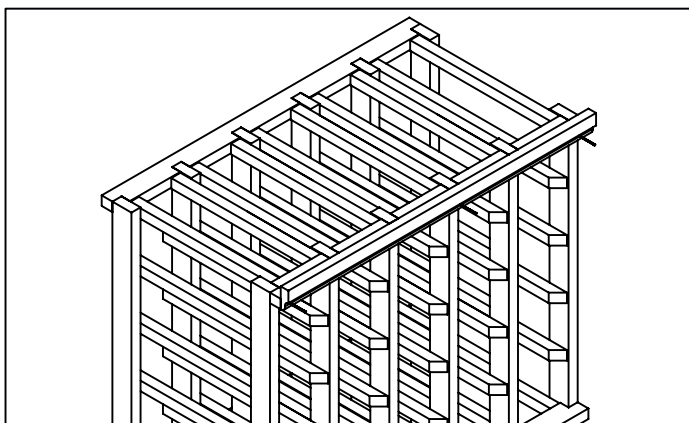
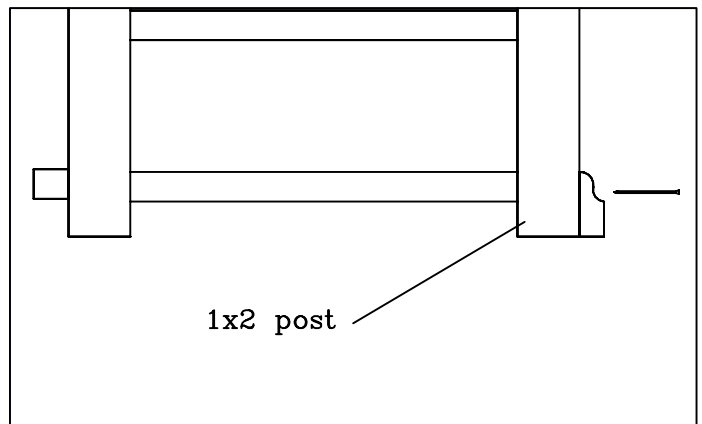
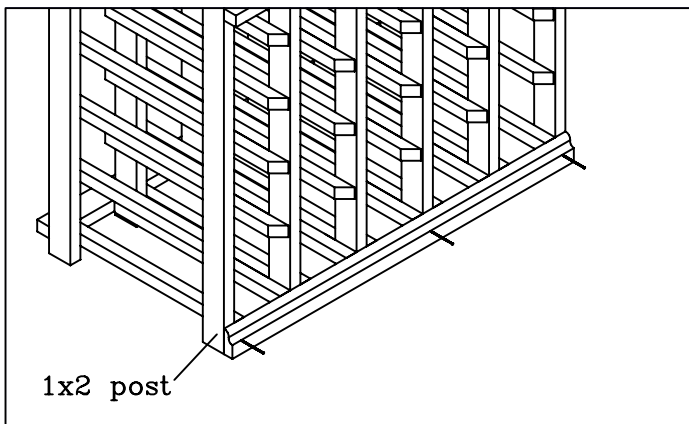
Note: Moldings are shipped long and need to be cut to fit assembled sections of racking.

Parts List

2	1 7/16" OG molding 48" long
1	Bag of nails

Assemble racks according to assembly instructions provided for each kit.

Attach molding to bottom front of racking, nail through baseboard into vertical 1x2 post. Nail through baseboard into 1x2 perimeter trim for kits with solid sides.



Nail through crown into top front spacer to attach to rack.

Nail through crown into 1x2 perimeter trim for kits with solid sides. crown will extend approximately 3/4" above assembled kit.

Wine Cellar Innovations
4575 Eastern Avenue
Cincinnati, Ohio 45226

Phone: (800) 229-9813
Fax: (513) 979-5280
www.winecellarinnovations.com