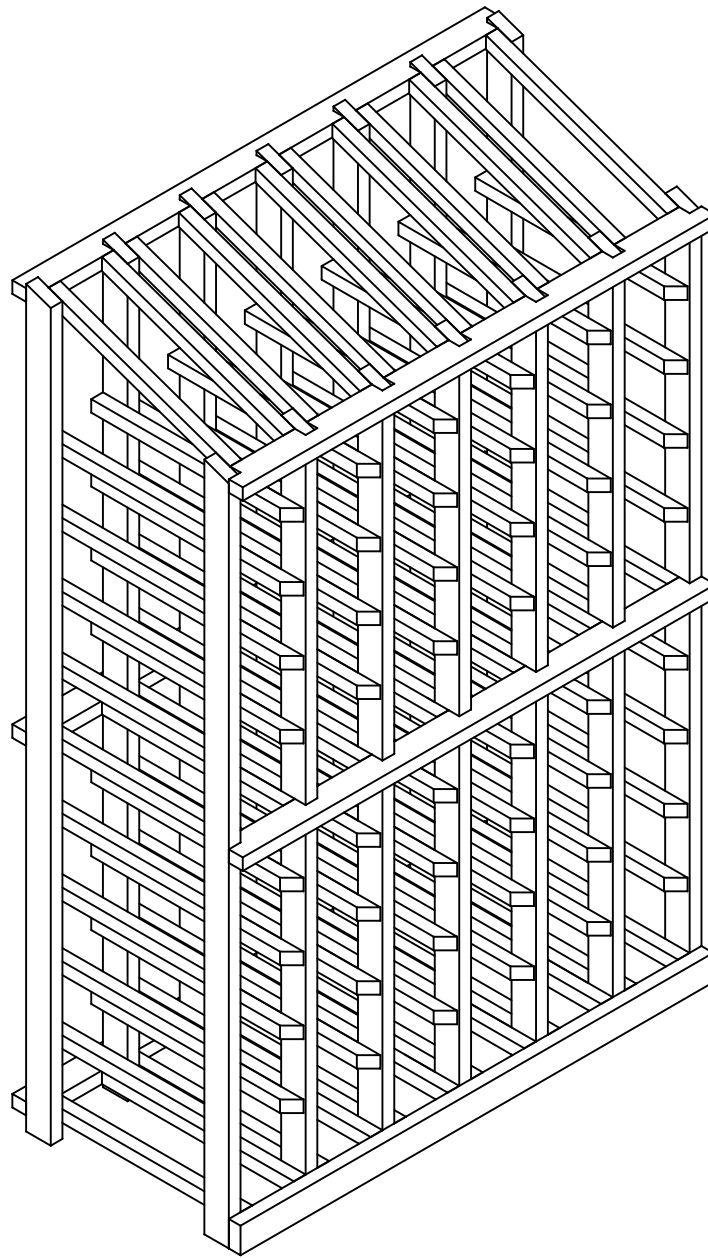


Individual 6 Column Half Height with display

Rev 5/29/08



Thank you for your purchase from Wine Cellar Innovations. In the manufacturing and packaging of your products numerous people have reviewed your order for accuracy and attention to detail. We believe this focus is what has made us the worldwide leader in wine storage products.

When assembling the products, please refer to the instructions provided and follow them closely. Always pre-drill pieces any time a screw will be used as a fastener. The cellar has been engineered with the weight of the bottles factored into the layout, and will be capable of sustaining loads far greater than this when assembled correctly.

If you happen to break a piece during installation we will replace it for free. In such a situation, feel free to contact us Monday through Friday between 8am and 5pm Eastern time.

Wine Cellar Innovations
4575 Eastern Avenue
Cincinnati, Ohio 45226

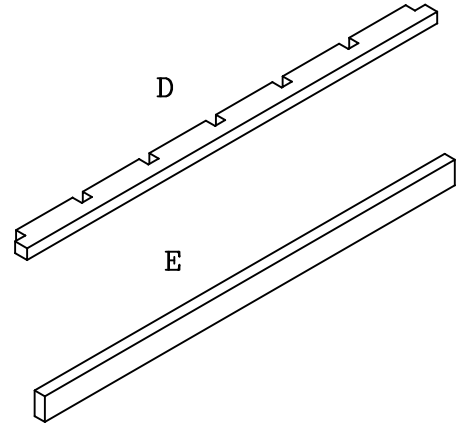
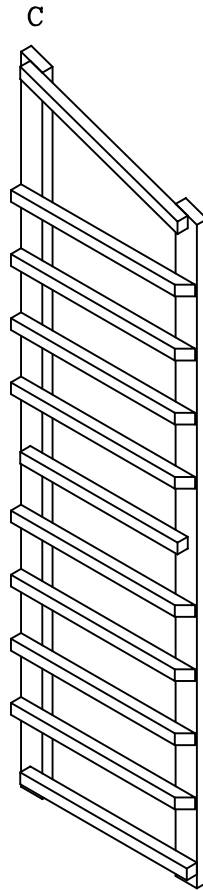
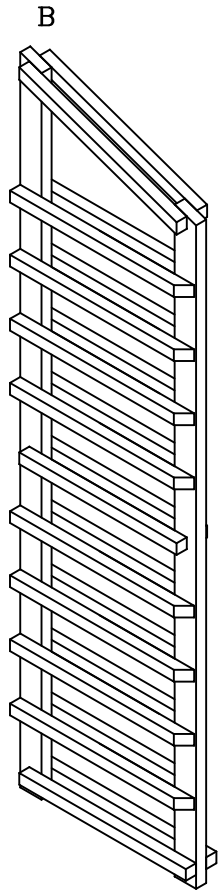
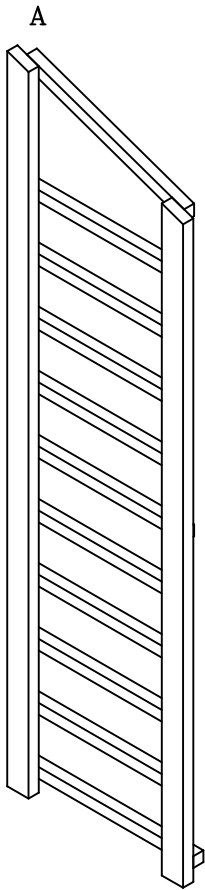
Phone: (800) 229-9813
Fax: (513) 979-5280
www.winecellarinnovations.com

Individual 6 Column Half Height with display

Parts List

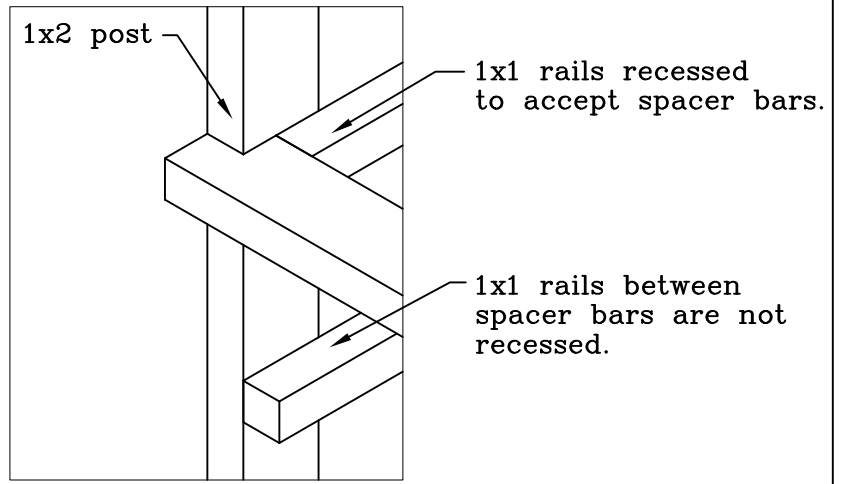
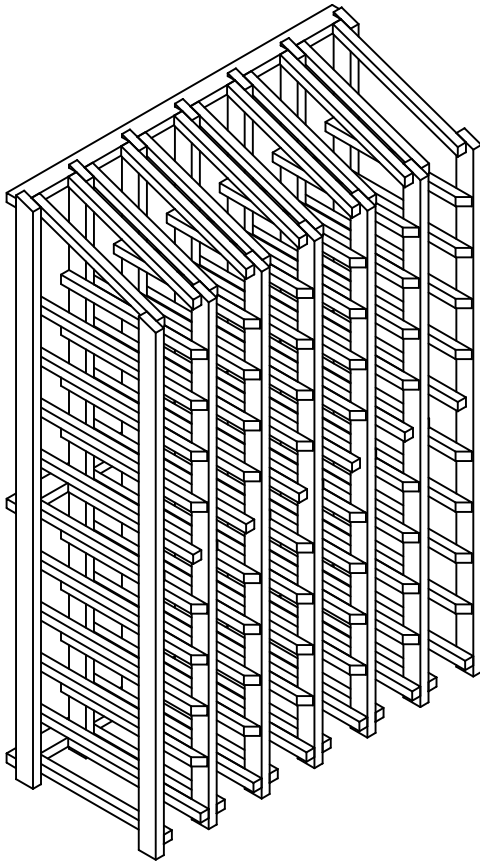
Rev 5/29/08

#	qty.	description
A	1	Left
B	5	Doubles
C	1	Right
D	5	spacer bars
E	1	Sq. Cut Base
*	1	bag of nails
*	1	Hardware Pack containing 2 angle brackets 2 plastic anchors 2 1" #8 screws 2 5/8" #6 screws

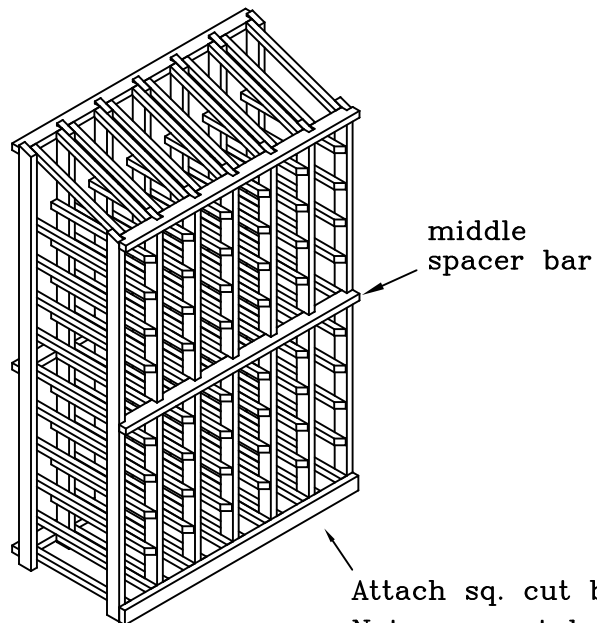


1. Attach (3) spacer bars to the back of the racks with nails.

Top & bottom spacer bars should have a nail just on each end, the middle spacer bar should have a nail in each notch. This can be done with the provided nails or with a brad nailer.



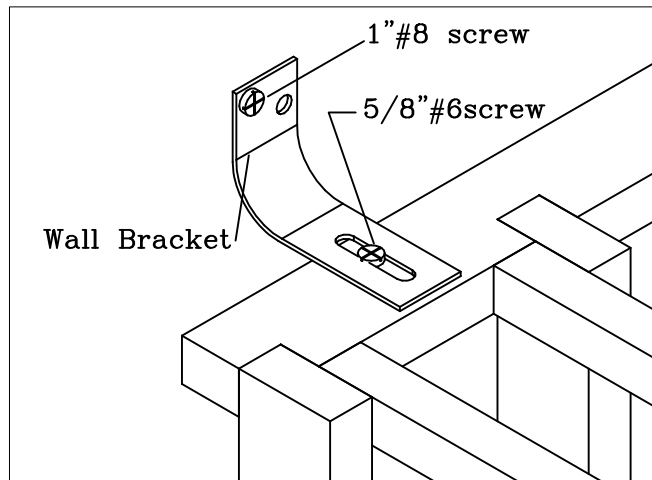
2. Attach 2 spacer bars to the front of the racks. Middle spacer bar should be attached as described in step 1.



Attach sq. cut base

Note: sq. cut base will not be used if additional base kit is purchased

3.



Secure rack to wall by attaching wall brackets to top back spacer bar. You will have 1 bracket on the left and 1 on the right.

Individual 6 column Half Height assembly complete.

always remove bottles before moving racks.