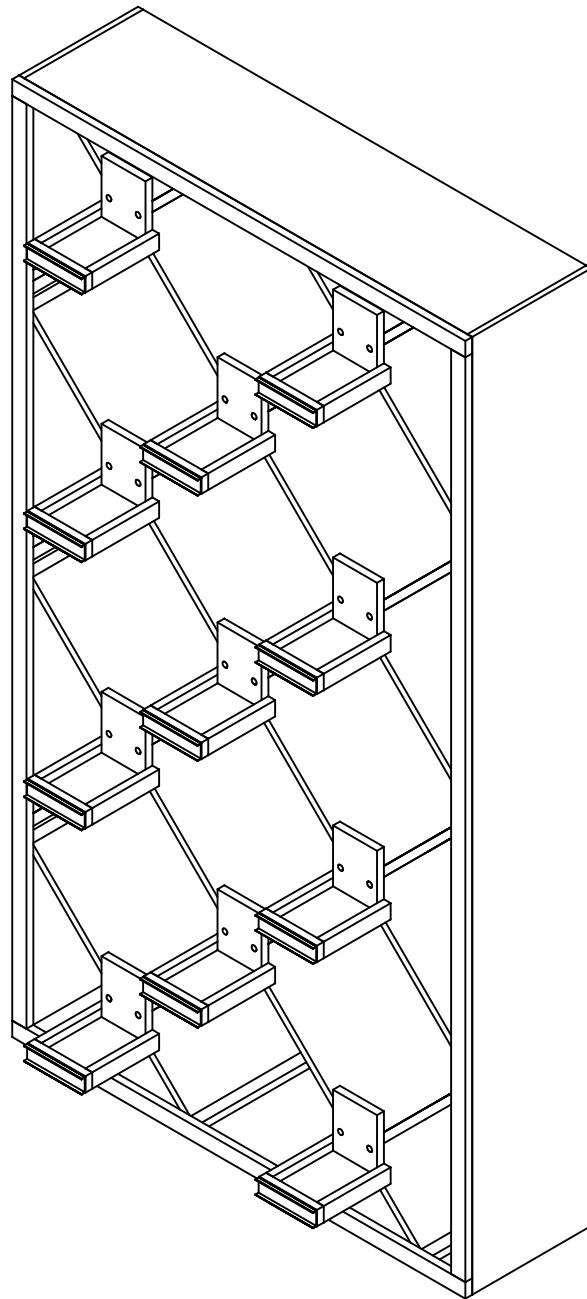


Commercial Display Racking

REV: 4/16/10

Diamond Bin With Face Trim



Thank you for your purchase from Wine Cellar Innovations. In the manufacturing and packaging of your products numerous people have reviewed your order for accuracy and attention to detail. We believe this focus is what has made us the worldwide leader in wine storage products.

When assembling the products, please refer to the instructions provided and follow them closely. Always pre-drill pieces any time a screw will be used as a fastener. Redwood is a soft and beautiful wood species, but will split like all other wood types if placed under unusual stresses. The cellar has been engineered with the weight of the bottles factored into the layout, and will be capable of sustaining loads far greater than this when assembled correctly.

If you happen to break a piece during installation we will replace it for free. In such a situation, feel free to contact us Monday through Friday between 8am and 5pm Eastern time.

Wine Cellar Innovations
4575 Eastern Avenue
Cincinnati, Ohio 45226

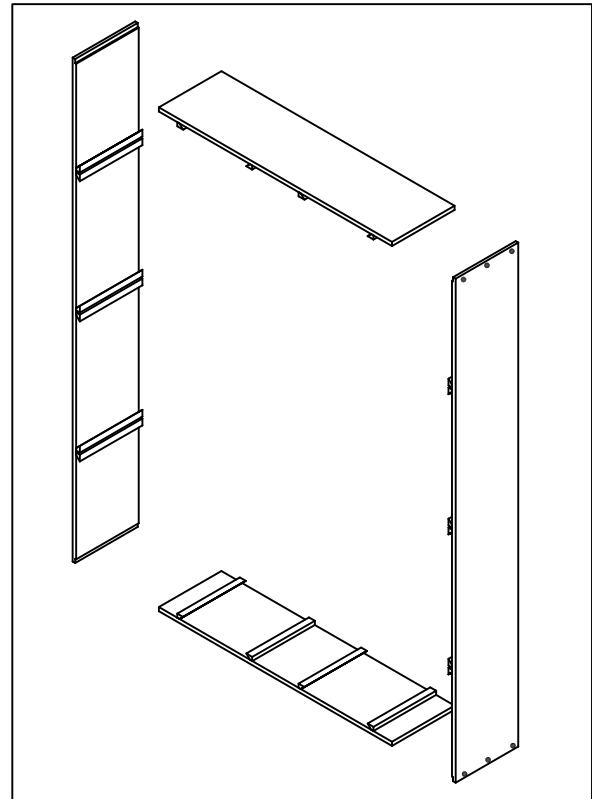
Phone: (800) 229-9813
Fax: (513) 979-5280
www.winecellarinnovations.com

Diamond Bin

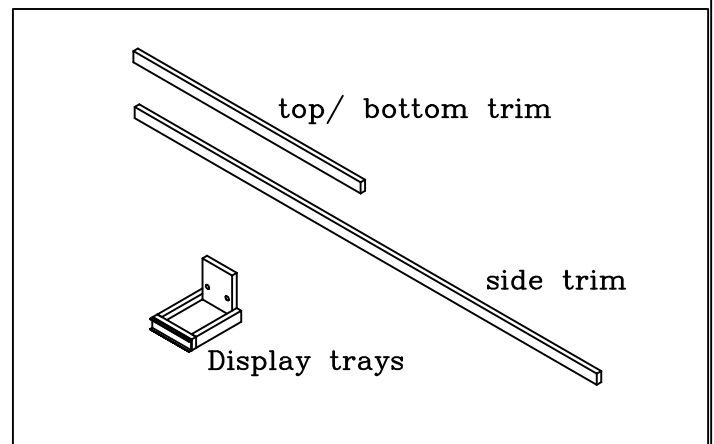
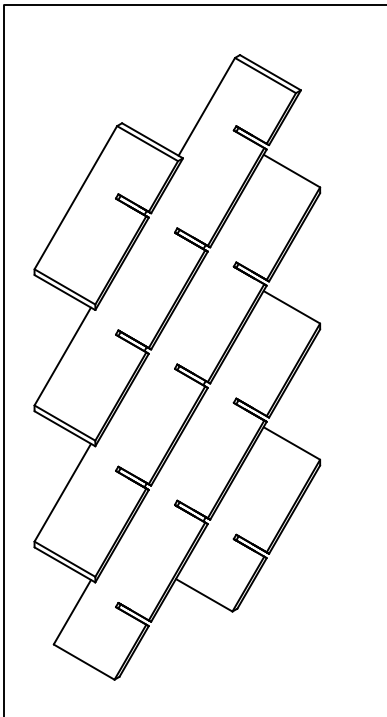
REV: 4/16/10

Parts List

qty.	description
2	(1 each) Top/ Bottom
2	Sides
2	(1 each) Top/ Bottom Trim
2	Side Trim
11	Display trays
1	Bag of Nails
22	1 1/4" #8 screws
1	Screw Driver Bit
12	1 5/8" #6 screws
1	Hardware Pack containing 2 wooden side anchors 2 -2" #8 Screws 4 -1 1/4" #8 screws
X-Interlock boards	
10 total boards	4 1 Notched 6 3 Notched

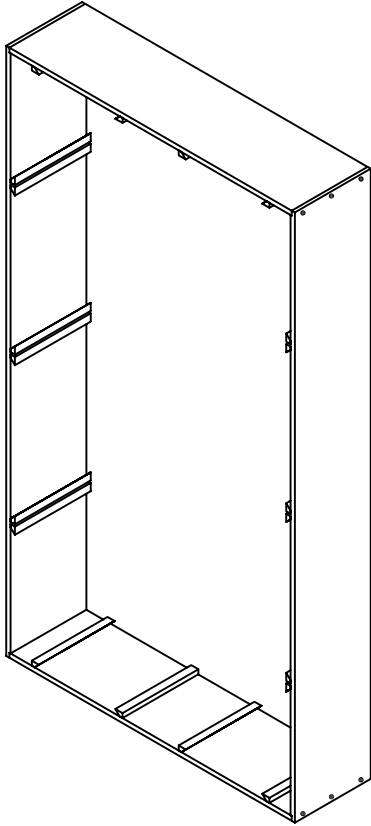


X-Interlocks

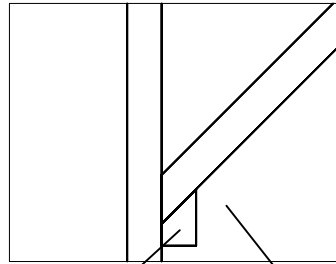


** Optional pricetrack shown **

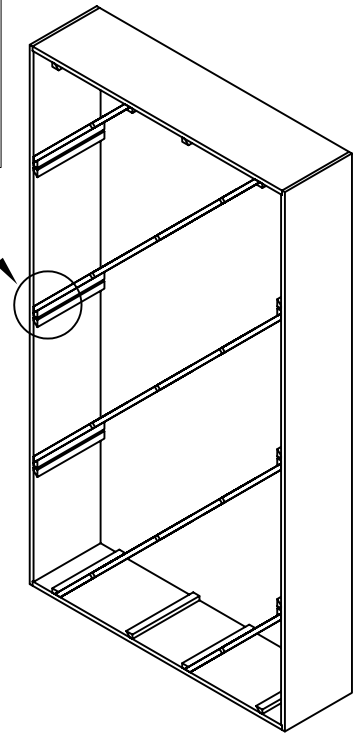
1. Attach the top, bottom, and, sides together with the 1 5/8" #6 screws.



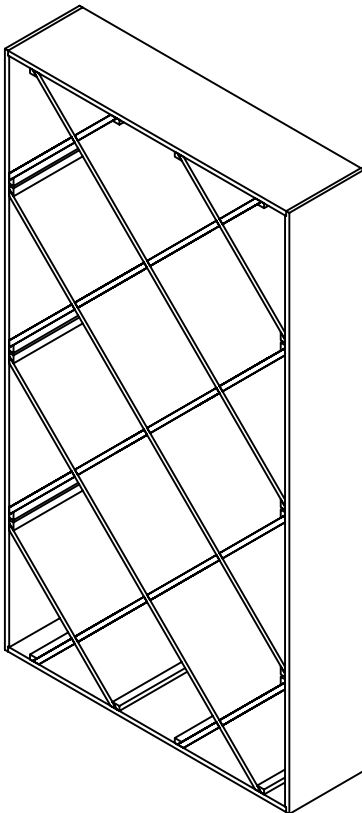
2. Insert 1/2 of interlock boards into termination blocks, notches on interlock boards should face front.



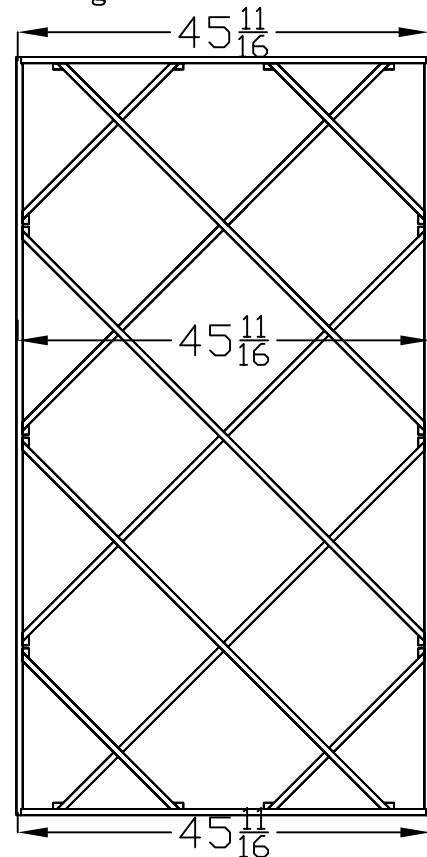
Termination Block



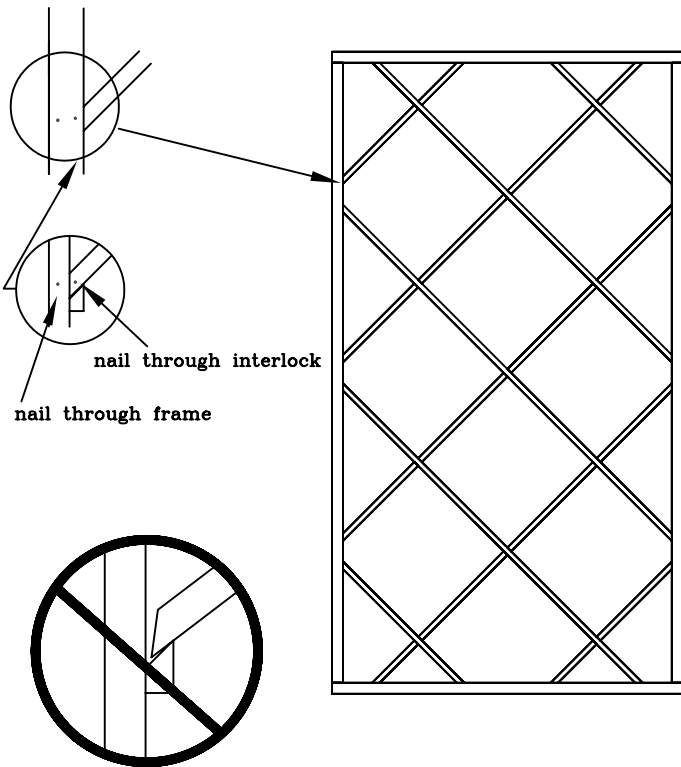
3. Insert remaining interlock boards into termination blocks, notches on interlock boards should face wall.



4. Measure top, middle and bottom of Diamond bin, to prevent gaps in trim all three must equal 45 11/16" Be sure to maintain 45 11/16" dimension while attaching trim.

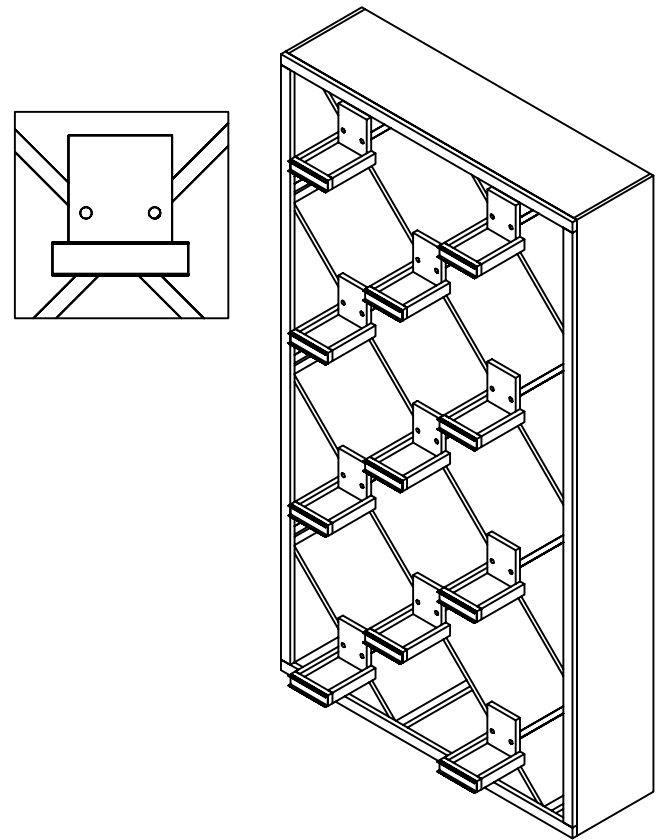


5. Attach Perimeter Trim. At each interlock nail through frame (top, bottom, sides) and interlock.

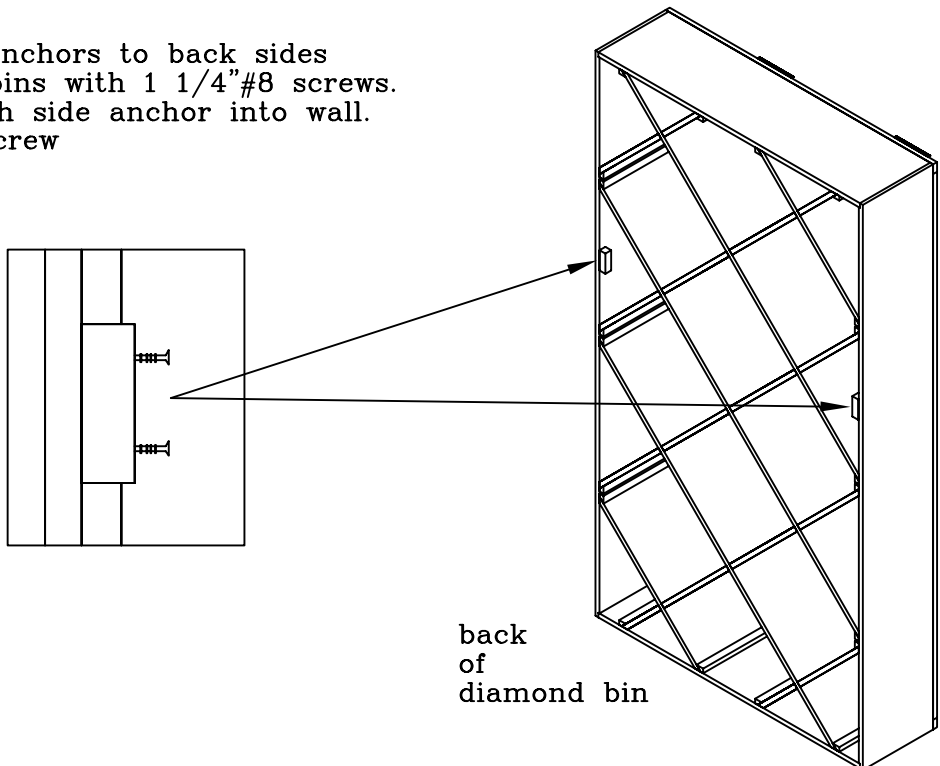


There should be no gaps between interlocks and frame. If gaps occur, measure top, bottom, and middle as in step:4.

6. Attach Display trays to interlocks with 1 1/4" #8 wood screws.



7. Attach side anchors to back sides of diamond bins with 1 1/4" #8 screws. Screw through side anchor into wall with 2" #8 Screw



back of diamond bin

Diamond Bin Assembly Complete. Always remove bottles before moving rack.

Wine Cellar Innovations
4575 Eastern Avenue
Cincinnati, Ohio 45226

Phone: (800) 229-9813
Fax: (513) 979-5280
www.winecellarinnovations.com