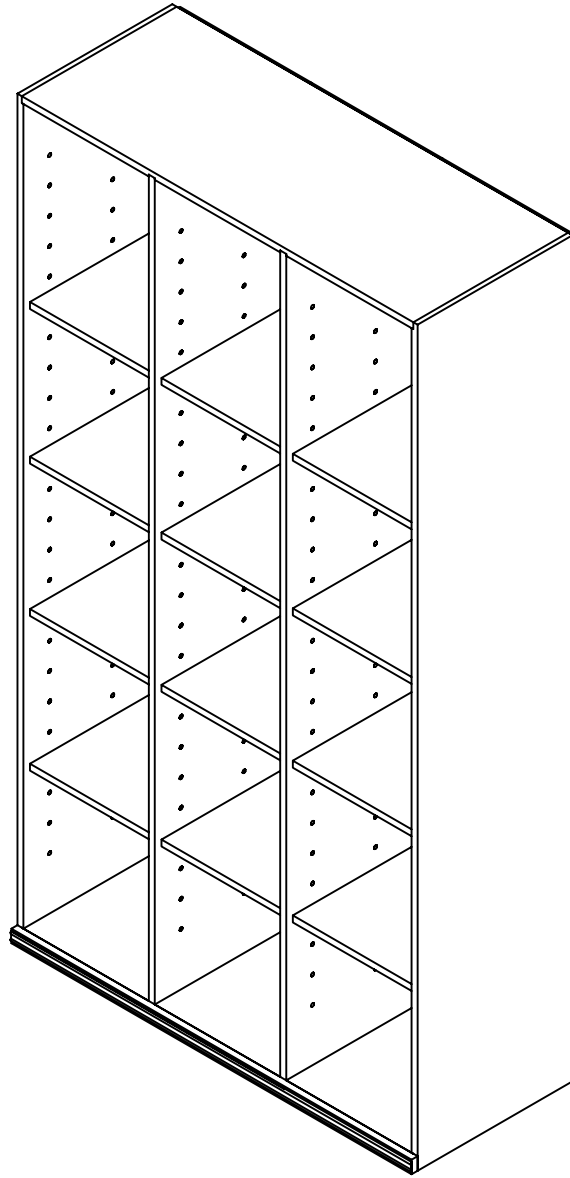


# Commercial Display Racking

## Glass Shelf Accessory Cabinet



Thank you for your purchase from Wine Cellar Innovations. In the manufacturing and packaging of your products numerous people have reviewed your order for accuracy and attention to detail. We believe this focus is what has made us the worldwide leader in wine storage products.

When assembling the products, please refer to the instructions provided and follow them closely. Always pre-drill pieces any time a screw will be used as a fastener. Redwood is a soft and beautiful wood species, but will split like all other wood types if placed under unusual stresses. The cellar has been engineered with the weight of the bottles factored into the layout, and will be capable of sustaining loads far greater than this when assembled correctly.

If you happen to break a piece during installation we will replace it for free. In such a situation, feel free to contact us Monday through Friday between 8am and 5pm Eastern time.

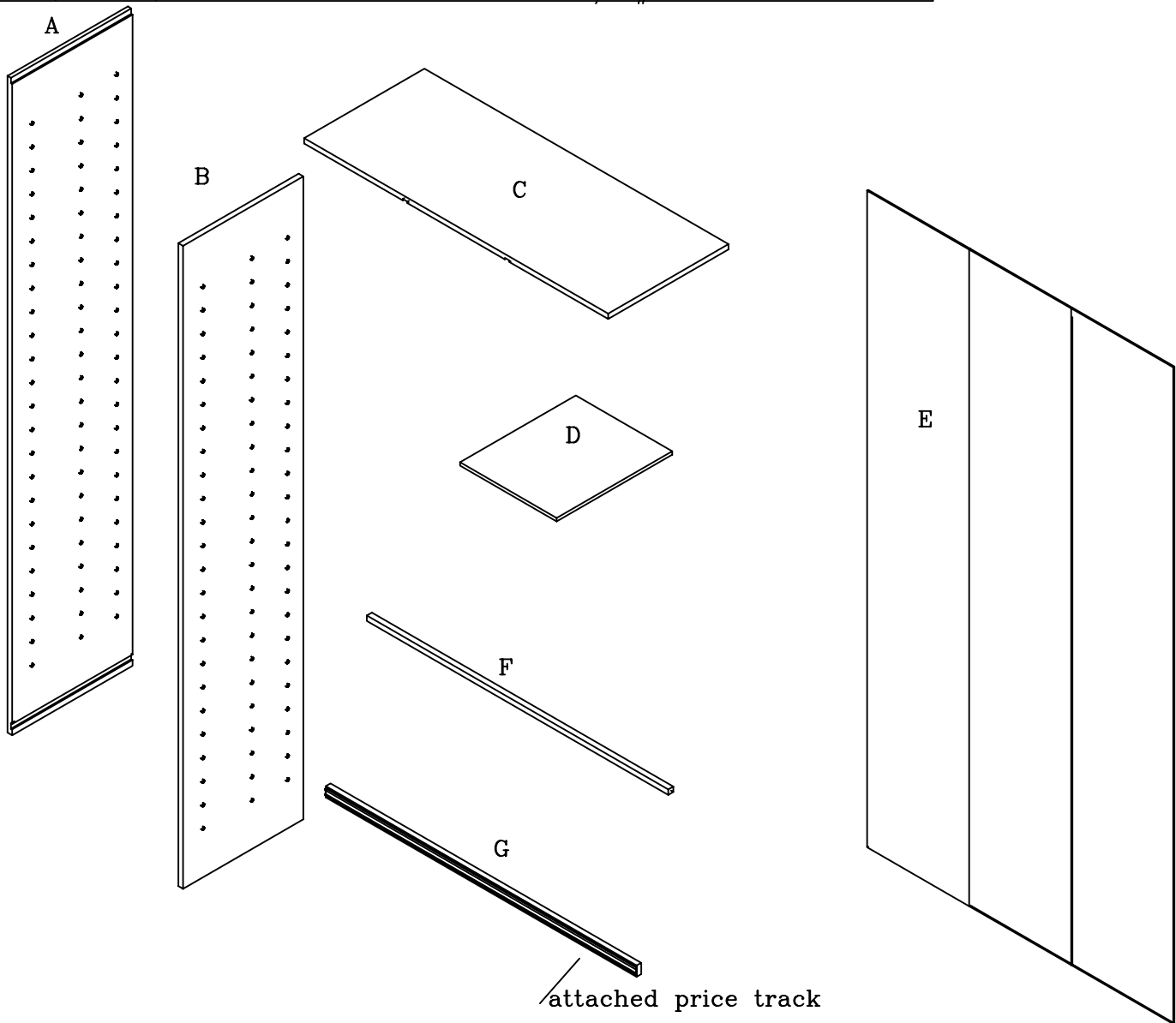
**Wine Cellar Innovations**  
4575 Eastern Avenue  
Cincinnati, Ohio 45226

Phone: (800) 229-9813  
Fax: (513) 979-5280  
[www.winecellarinnovations.com](http://www.winecellarinnovations.com)

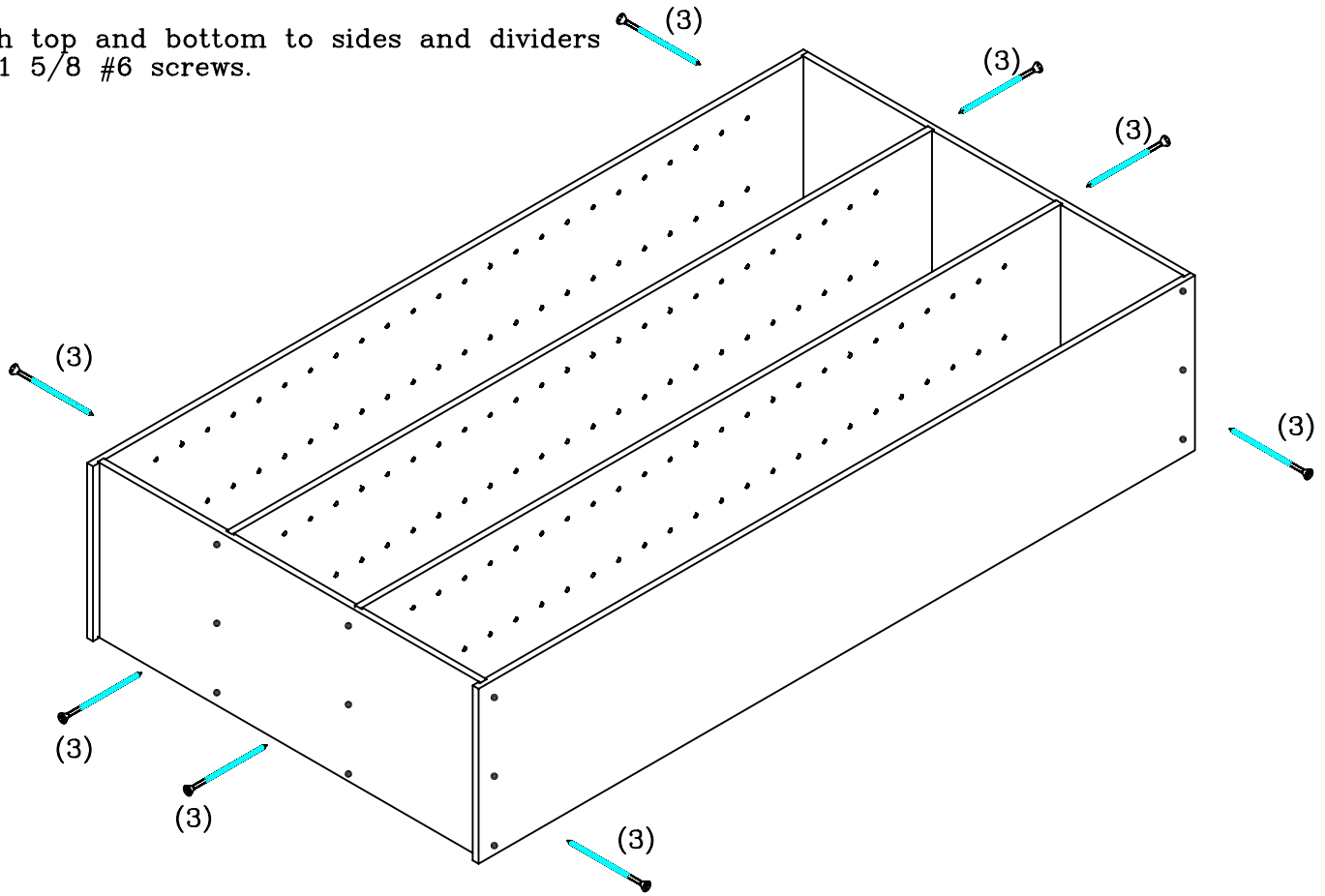
# Commercial Display Racking

## Glass Shelf Accessory Cabinet

Item	Qty.	Description
A	2	Sides
B	2	Dividers
C	2	Top/ Bottom
D	12	Glass Shelves
E	3	Plywood backs
F	2	Bottom Supports
G	1	Base Board w/ attached price track
*	72	Shelf Clips metal, with flat top
*	24	1 5/8" #6 Wood Screws
*	1	screw driver bit
*	30	1 1/4" Ring shank nails
*	50	finish nails
*	1	Hardware Pack containing: 2 angle brackets 2 plastic anchors 2 1" #8 screws 2 5/8" #6 screws

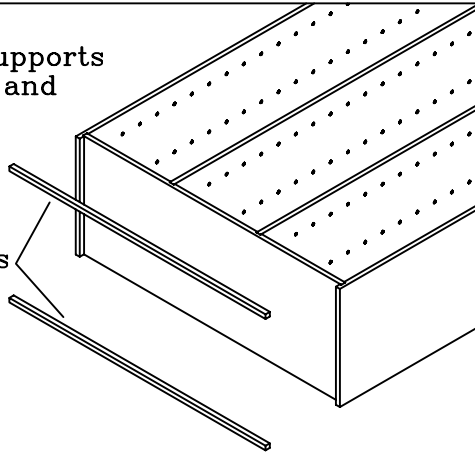


1. Attach top and bottom to sides and dividers with 1 5/8 #6 screws.

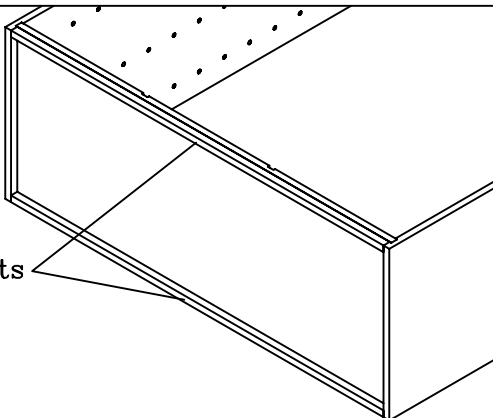


2. Attach bottom supports to bottom front and back of cabinet with finish nails.

bottom supports



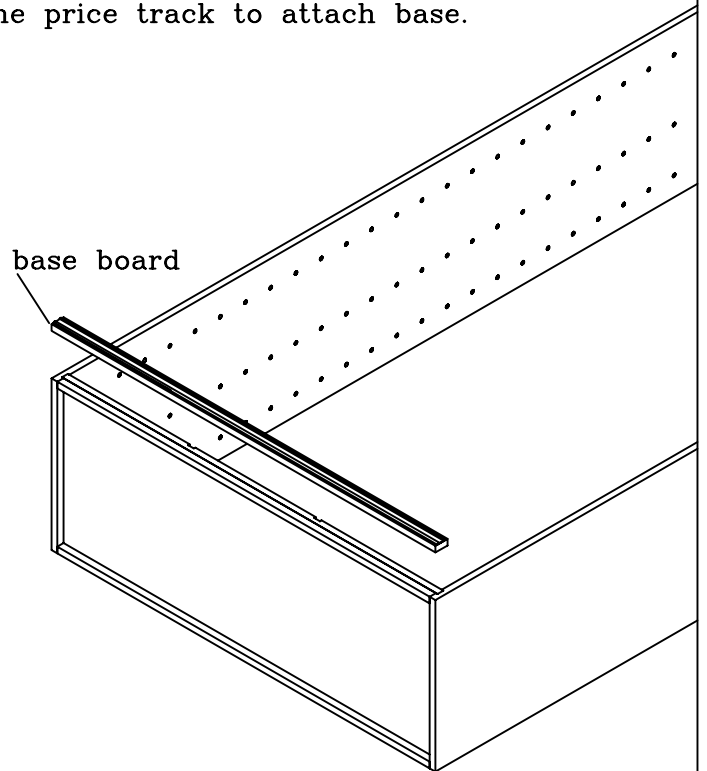
bottom supports



Nail through the sides and down through bottom shelf.

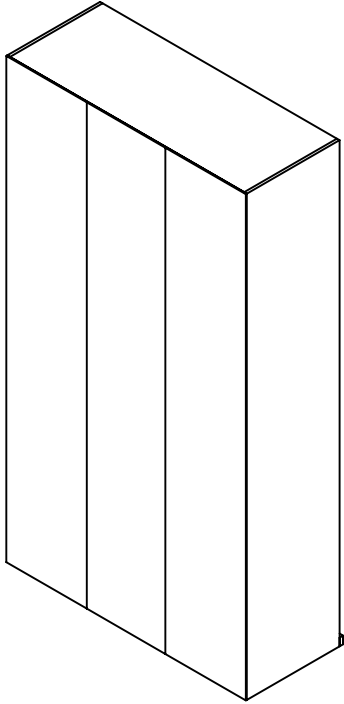
3. Attach base board to bottom of cabinet with finish nails. You may need to remove the price track to attach base.

base board



4. Attach (3) plywood backs to back of cabinet.  
 Note: the (2) wider pieces go on the outsides.

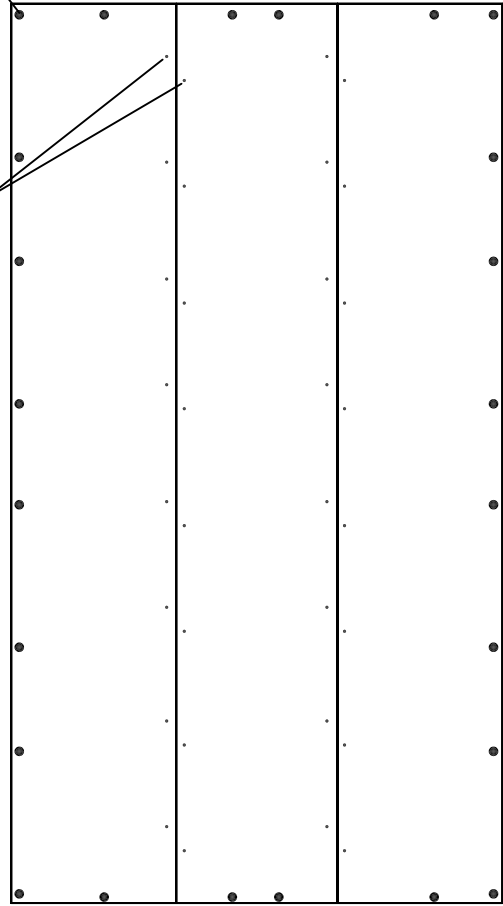
use 1 1/4" ring shank nails on the perimeter and finish nails for the inner edges.



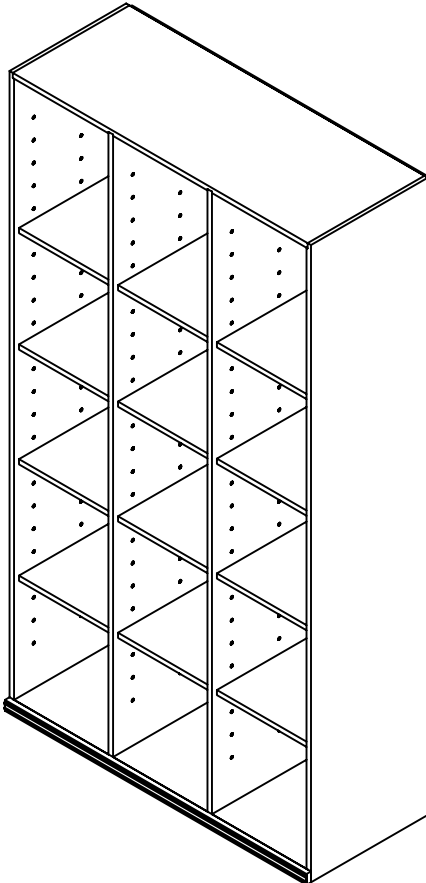
Finish nails will need to be staggered in order to fit.

1 1/4" ring shank nails (24)

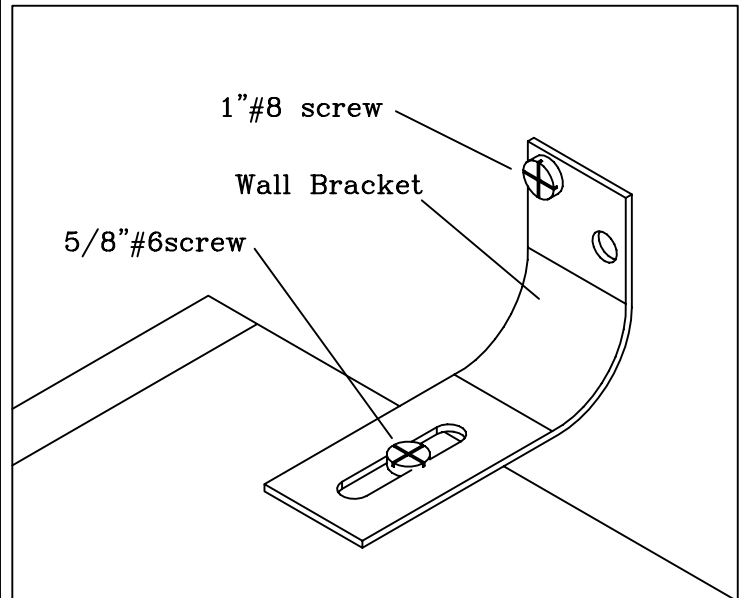
finish nails (±32)



5. Insert shelf clips at desired shelf height. Insert shelves.



Optional



Secure rack to wall by attaching wall brackets to top rear of unit. You will have 1 bracket on the left and 1 on the right.

Unit Complete