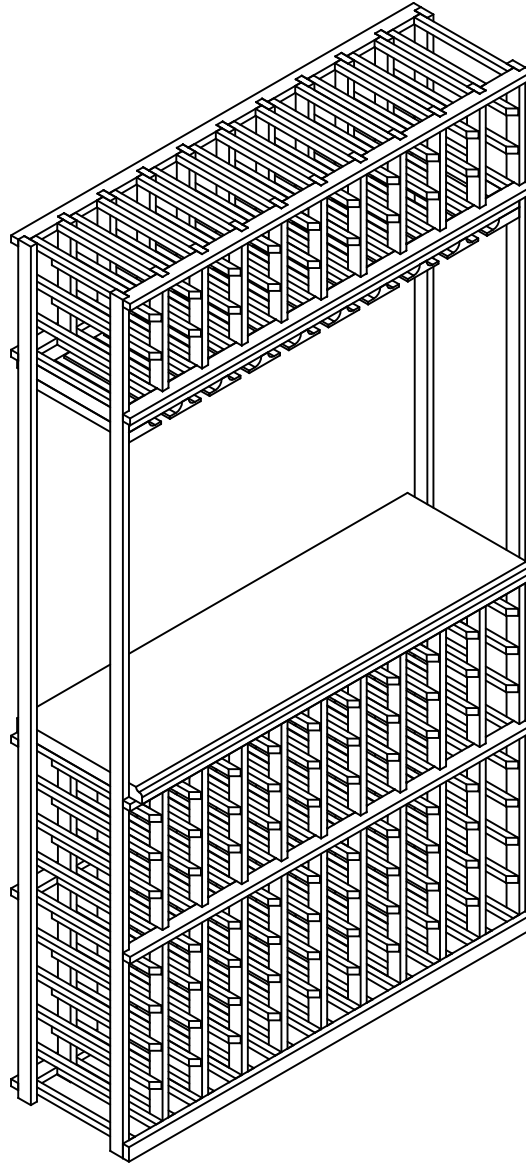


Commercial Display Racking

GRTTS

Rev. 4/17/08



Thank you for your purchase from Wine Cellar Innovations. In the manufacturing and packaging of your products numerous people have reviewed your order for accuracy and attention to detail. We believe this focus is what has made us the worldwide leader in wine storage products.

When assembling the products, please refer to the instructions provided and follow them closely. Always pre-drill pieces any time a screw will be used as a fastener. Redwood is a soft and beautiful wood species, but will split like all other wood types if placed under unusual stresses. The cellar has been engineered with the weight of the bottles factored into the layout, and will be capable of sustaining loads far greater than this when assembled correctly.

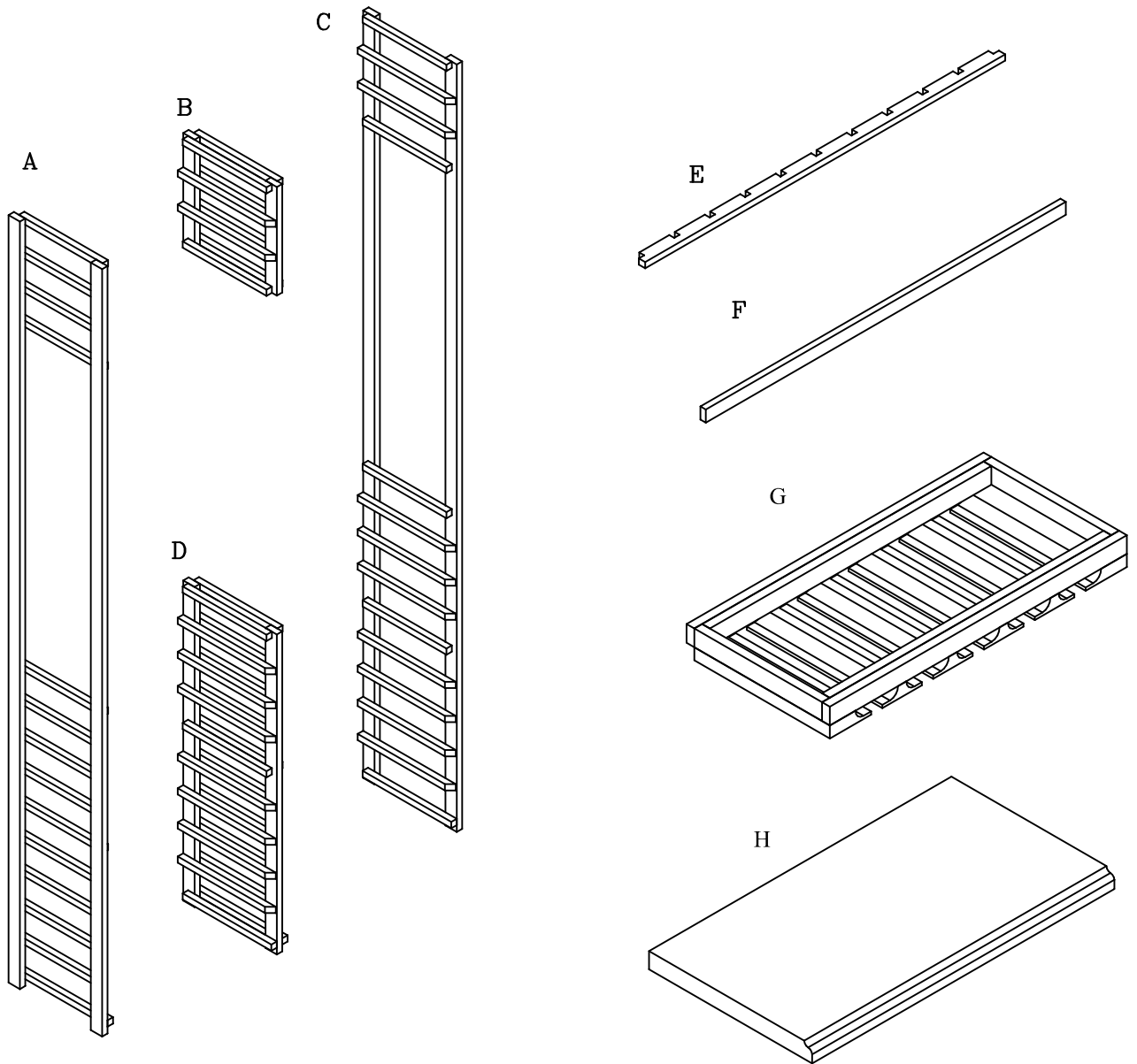
If you happen to break a piece during installation we will replace it for free. In such a situation, feel free to contact us Monday through Friday between 8am and 5pm Eastern time.

Wine Cellar Innovations
4575 Eastern Avenue
Cincinnati, Ohio 45226

Phone: (800) 229-9813
Fax: (513) 979-5280
www.winecellarinnovations.com

Parts List

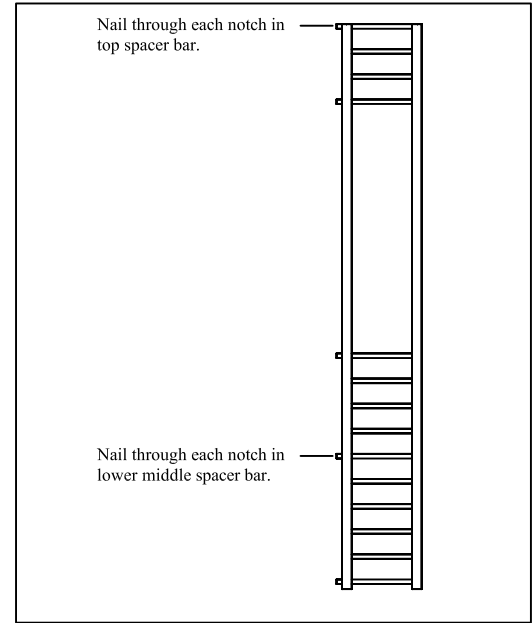
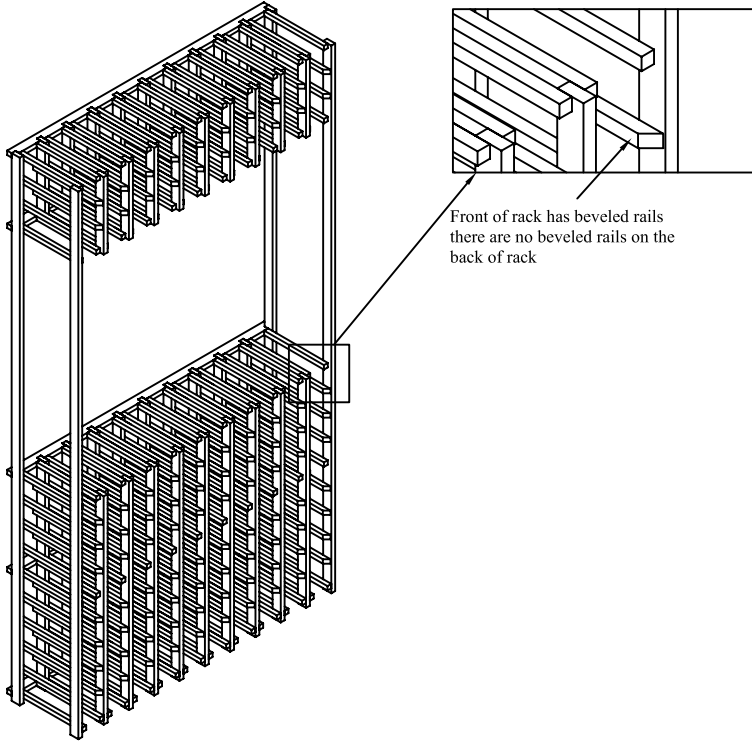
#	Qty.	Description		
A	1	Rack- Left	G	1 Glass Rack- 44 5/16
B	9	Rack- Upper Doubles	H	1 Table Top- 44 5/16
C	1	Rack- Right		
D	9	Rack- Lower Doubles		
E	9	Spacer Bars- 45 11/16		
F	1	Sq. Cut Base- 45 11/16		
			* 6	1 1/4" #6 screws
*	1	Bag of Nails		
*	1	Hardware Pack containing 2 angle brackets 2 plastic anchors 2 1" #8 screws 2 5/8" #6 screws		



1.

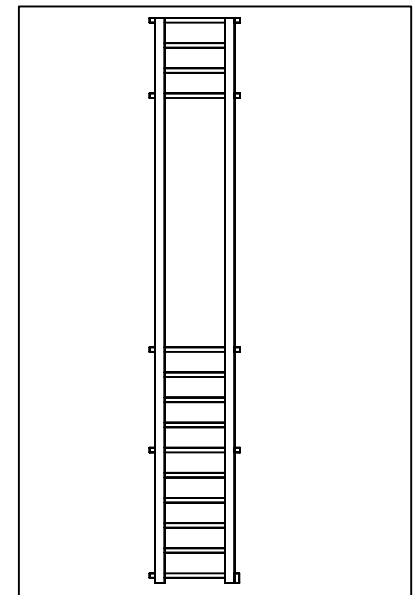
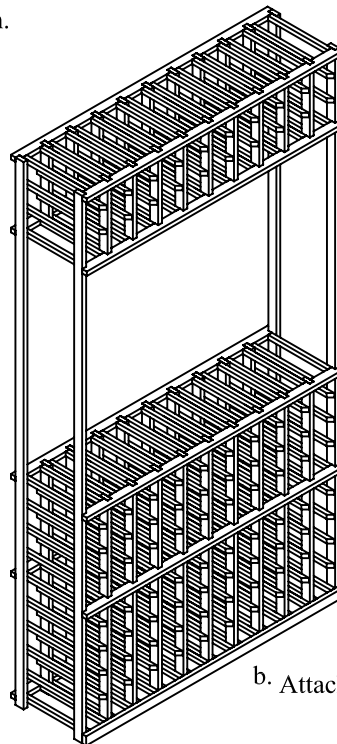
Attach (5) spacer bars to the back of (1) left, (1) right, and (9) upper doubles and (9) lower doubles with nails.

Top spacer bar and lower middle spacer bar should be nailed through each notch on spacer bar. Remaining spacer bars only need nails on end notches and a middle notch. This can be done with the provided nails or with a brad nailer.



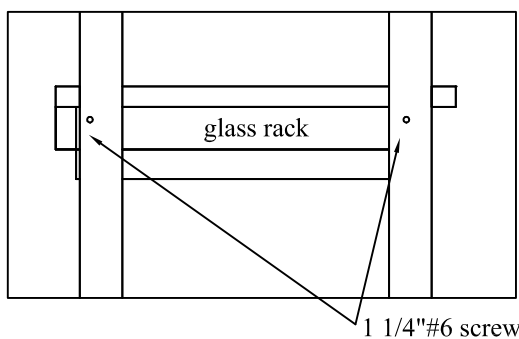
2.

a. Attach (4) spacer bars to front of racks with nails.
Nail through end notches and a middle notch.



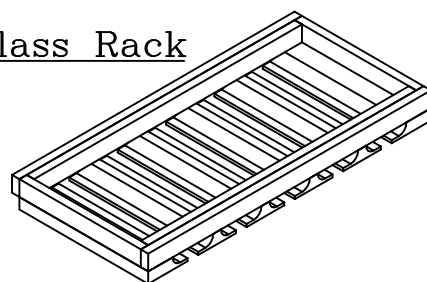
b. Attach sq. cut base to racks.

3. Attach glass rack and table top to racks.



a.
Screw through posts of racks
into glass rack with four
1 1/4"#6 screws

Glass Rack



b.
Screw up through spacer bar into table top
with two 1 1/4"#6 screws

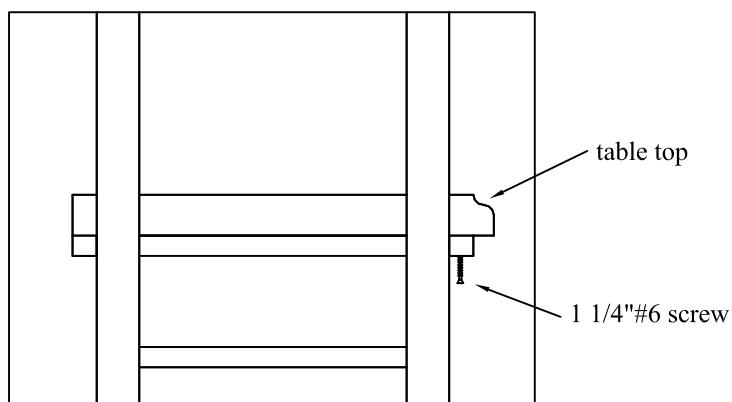
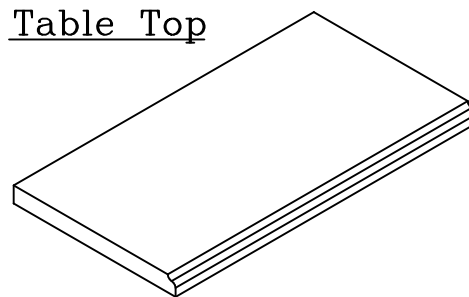
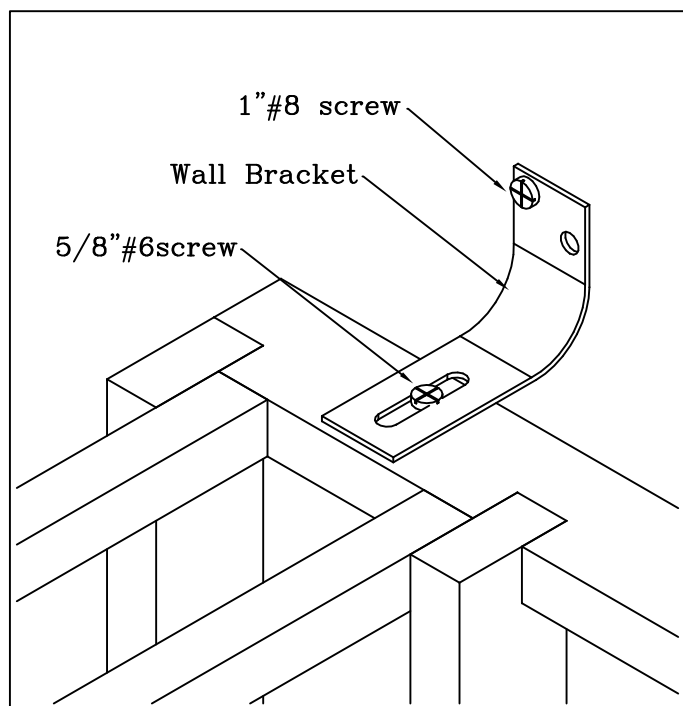


Table Top



4. (Optional)

Secure rack to wall by attaching wall brackets to top back spacer bar. You will have 1 bracket on the left and 1 on the right.



Assembly now complete.

Always remove bottles before moving racks.

Wine Cellar Innovations

4575 Eastern Avenue
Cincinnati, Ohio 45226

Phone: (800) 229-9813

Fax: (513) 979-5280

www.winecellarinnovations.com