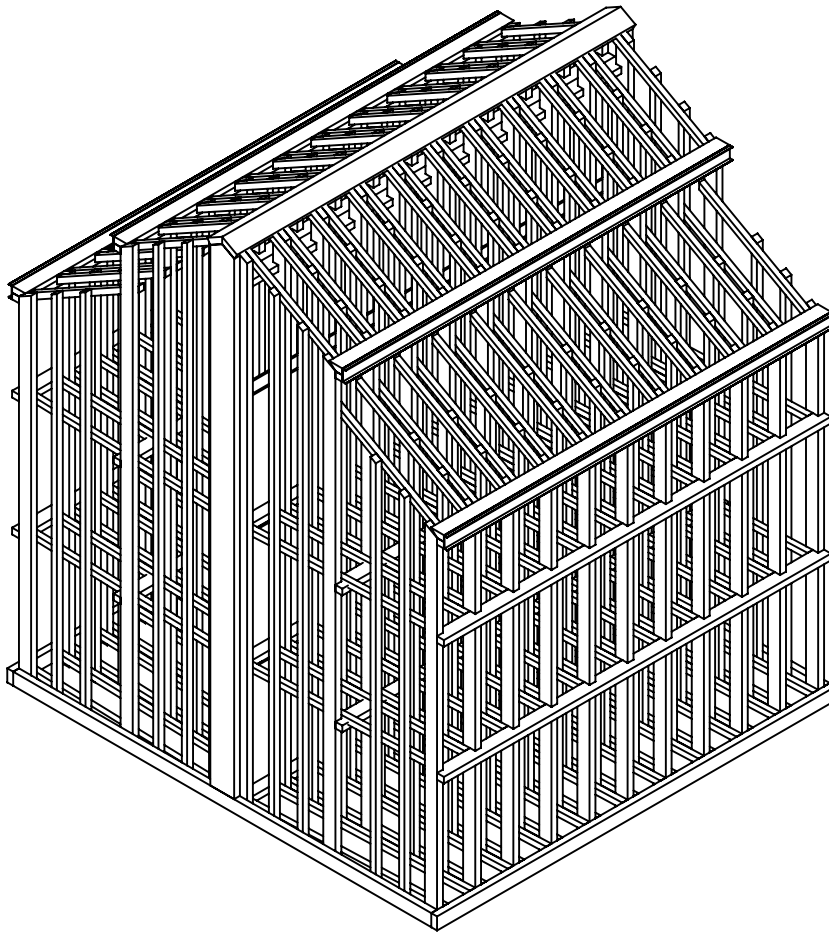


# Commercial Display Racking

## Two Tier Island Display



Thank you for your purchase from Wine Cellar Innovations. In the manufacturing and packaging of your products numerous people have reviewed your order for accuracy and attention to detail. We believe this focus is what has made us the worldwide leader in wine storage products.

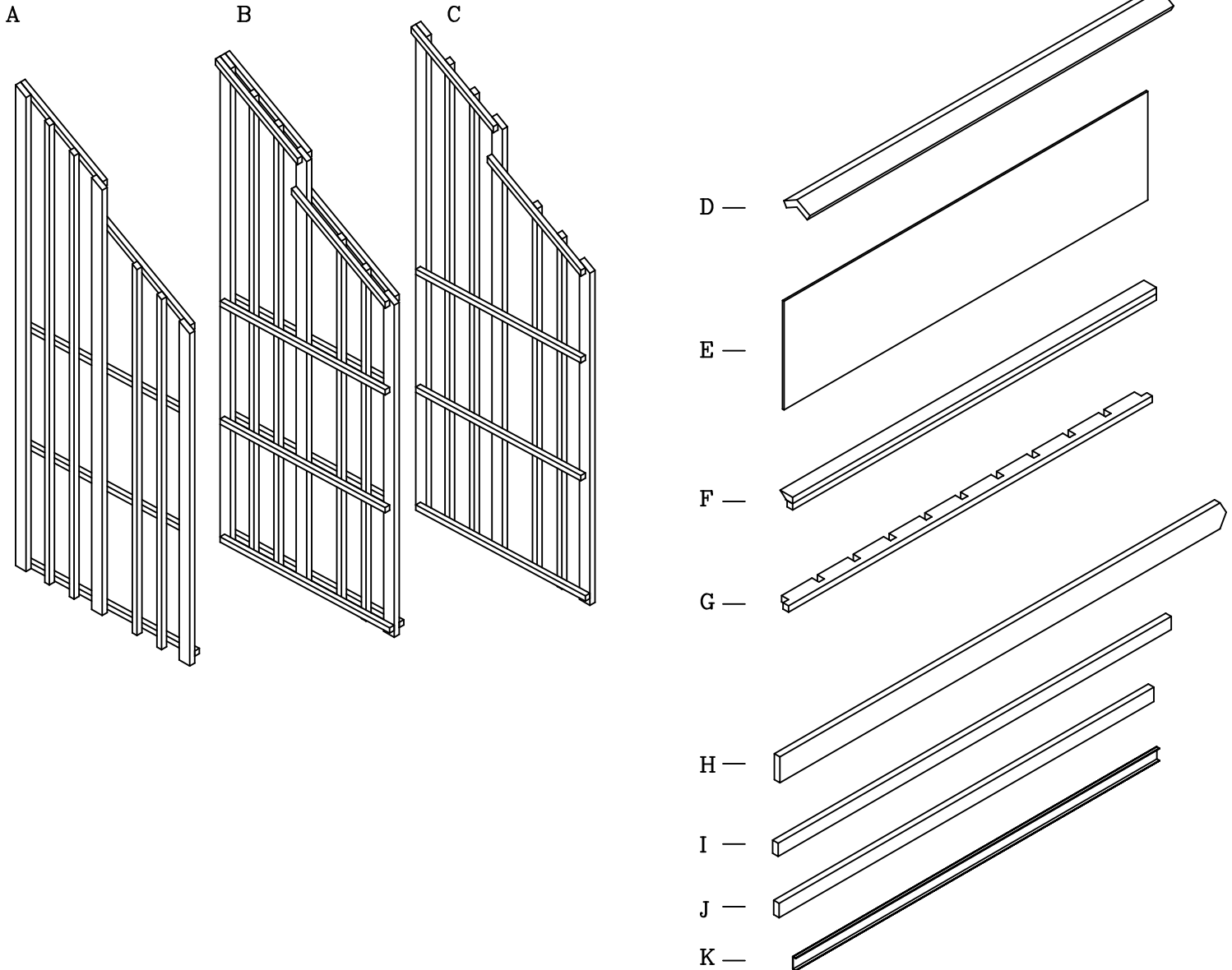
When assembling the products, please refer to the instructions provided and follow them closely. Always pre-drill pieces any time a screw will be used as a fastener. Redwood is a soft and beautiful wood species, but will split like all other wood types if placed under unusual stresses. The cellar has been engineered with the weight of the bottles factored into the layout, and will be capable of sustaining loads far greater than this when assembled correctly.

If you happen to break a piece during installation we will replace it for free. In such a situation, feel free to contact us Monday through Friday between 8am and 5pm Eastern time.

# Two Tier Island Display

## Parts List

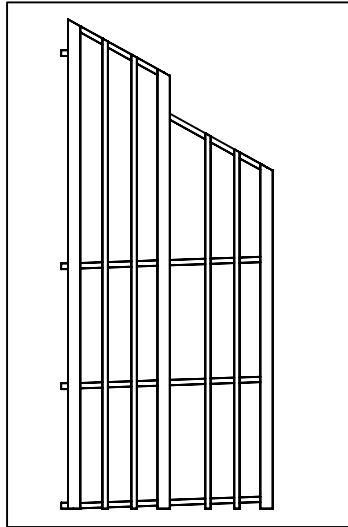
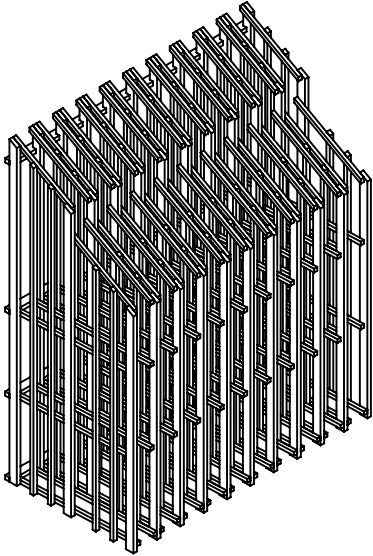
#	Qty.	Description
A	2	Rack- Lefts
B	18	Rack- Doubles
C	2	Rack- Rights
D	1	Top Cap 47 1/16
E	6	1/4" Plywood Backs 45 11/16 x 11 13/16
F	4	Spacer Bar Bottle Stop 45 11/16
G	16	Spacer Bars 45 11/16
H	2	Vertical Side Trim 56 1/16
I	2	Side Trim 49 3/8
J	2	Front Trim 47 1/16
K	4	Price Track 45 11/16 (OPTIONAL)
*	10	5/8" #6 Screws for price track (OPTIONAL)
*	20	1 1/2" #8 Screws
*	1	Bag of Nails
*	132	Ring Shanked Nails



1.

Attach (4) spacer bars to the back of (1) left, (1) right, and (9) doubles with nails.

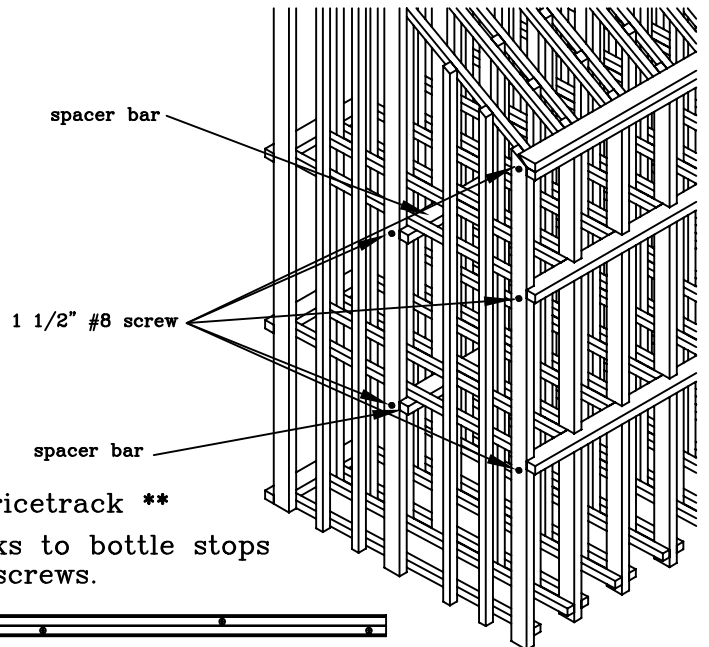
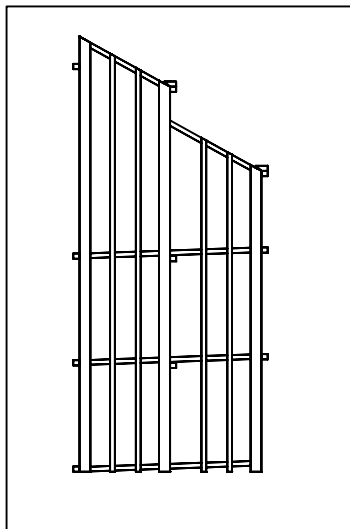
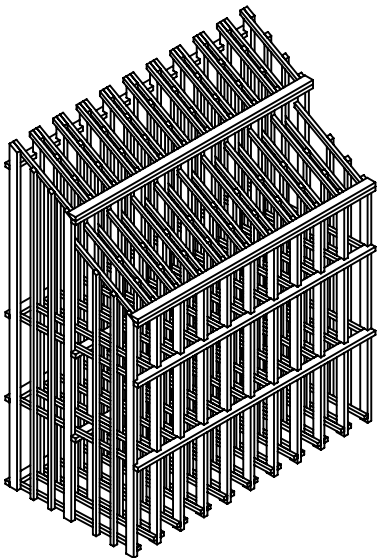
Top & bottom spacer bars should have a nail just on each end, and a middle notch, (1) middle spacer bar should have a nail in each notch. This can be done with the provided nails or with a brad nailer.



2.

a. Attach (2) spacer bar bottle stops and (2) spacer bars to front of (1) left, (1) right, and (9) doubles. nail through end notches and a middle notch.

b. Screw through front and middle end posts into spacerbars on left and right side of rack with  $1\frac{1}{2}$ " #8 screws. Pre-drill wood first with a  $\frac{1}{8}$ " drill bit.



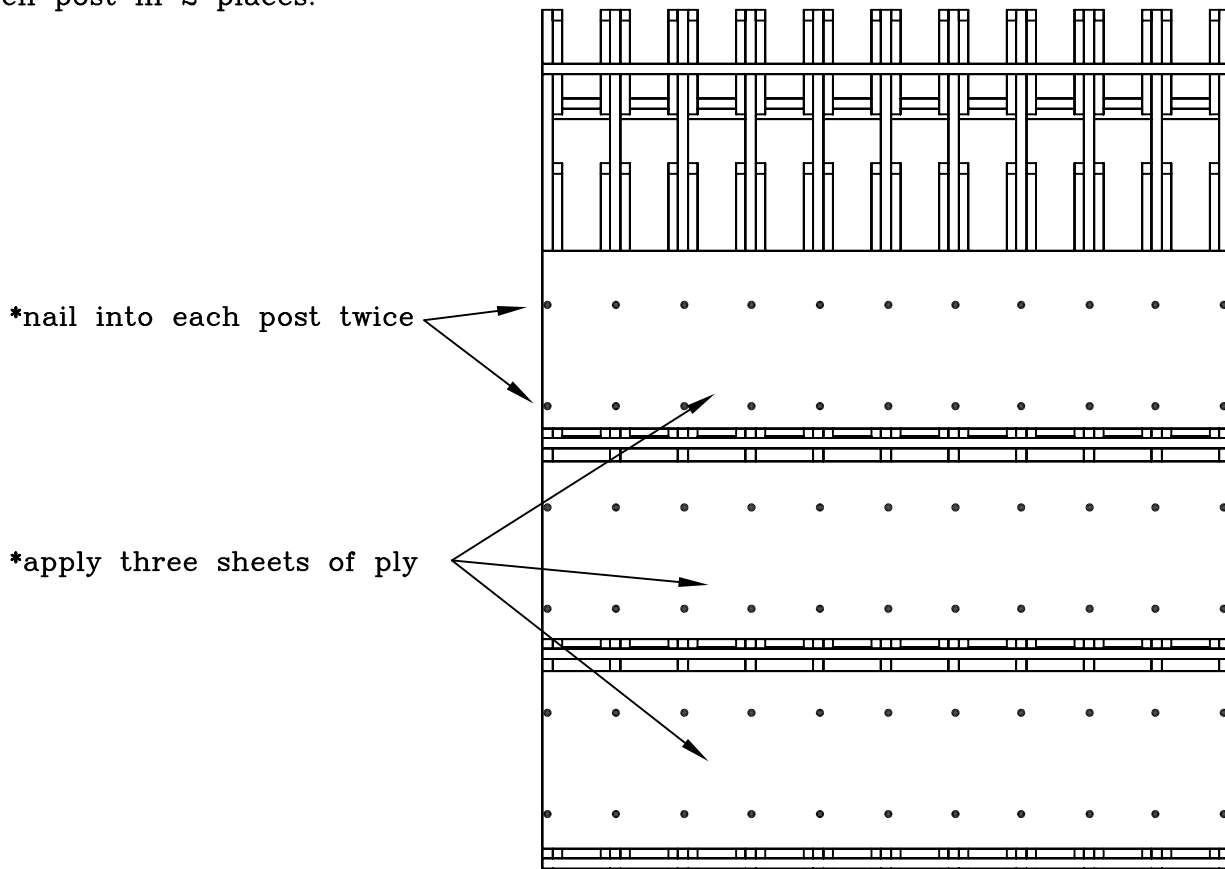
\*\* For optional pricetrack \*\*

c. Attach price tracks to bottle stops with price track screws.

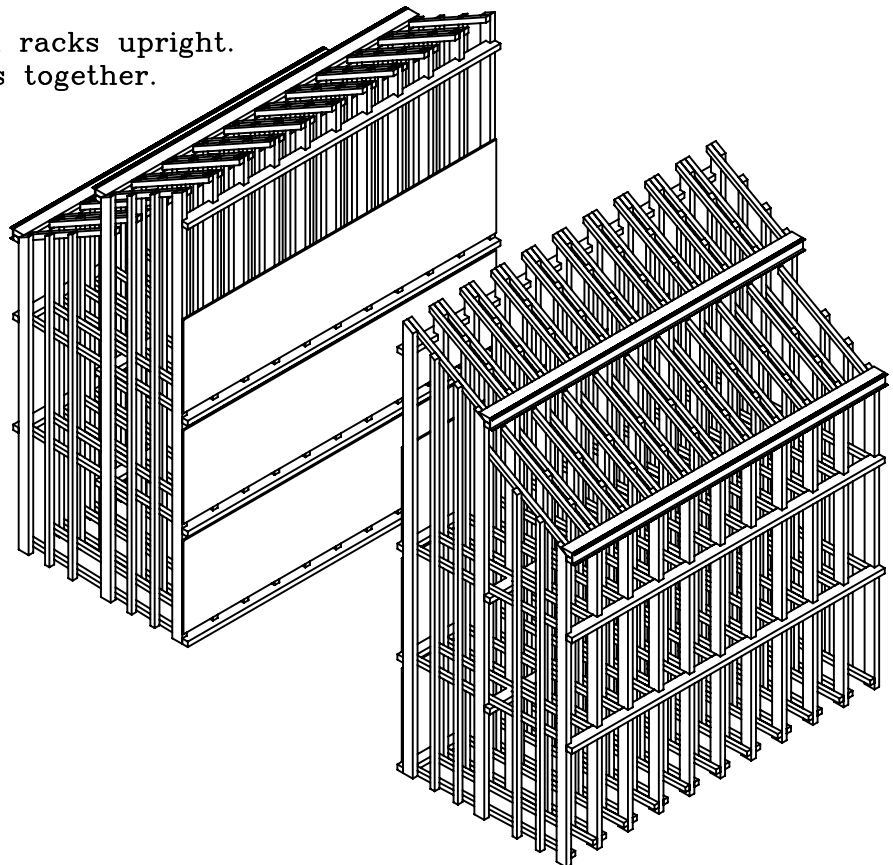


Stagger screws when attaching

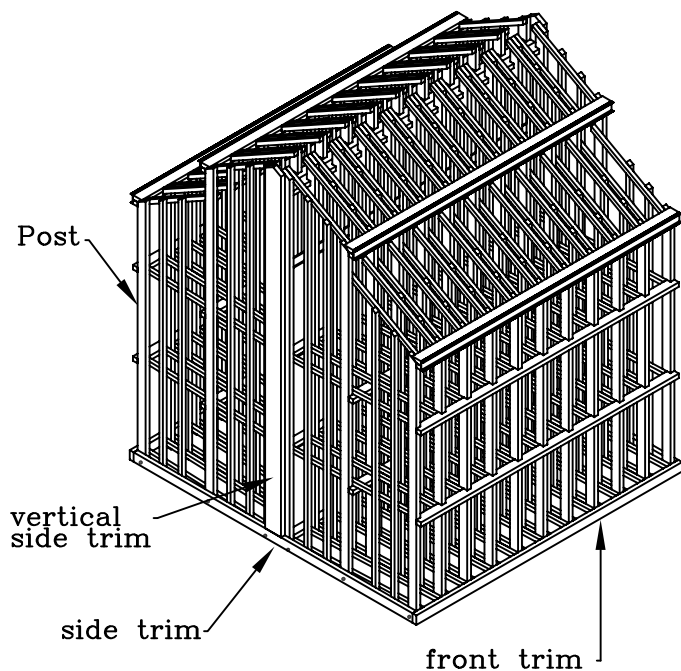
3. Attach (3) sheets of 1/4" ply to back of assembled racks. Nail through ply into each post in 2 places.



4. Repeat steps 1-3 for remaining half of Racks. Stand both halves of assembled racks upright. Push the Assembled rack halves together.

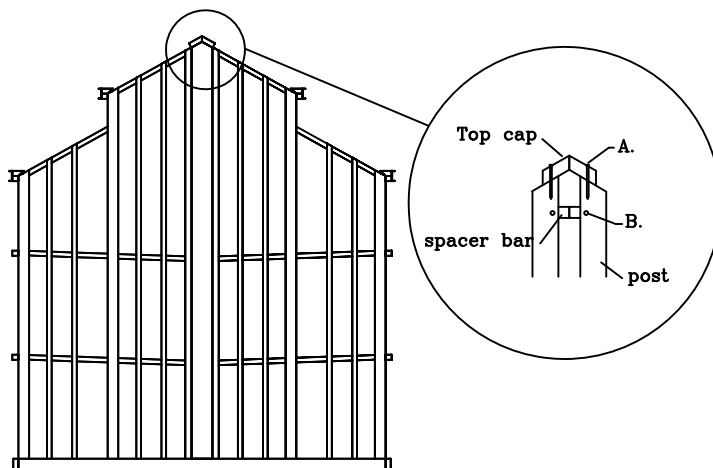


5. Nail through 1x2 posts to attach side trims and front trim.



6. Nail top cap through the top of back posts

- A. Nail through the top cap into the post of the upright racks on both ends to lock the ends together.  
B. Nail through the end post into the spacer bar to lock the two sides together.



**\*Island Display**  
is now complete. Place  
in location and load it with  
wine. If you need to move  
the rack, unload it before  
doing so.