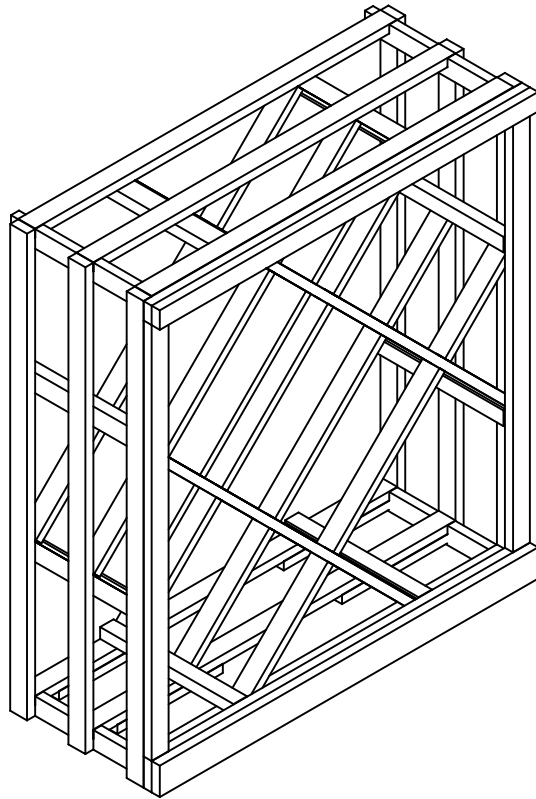
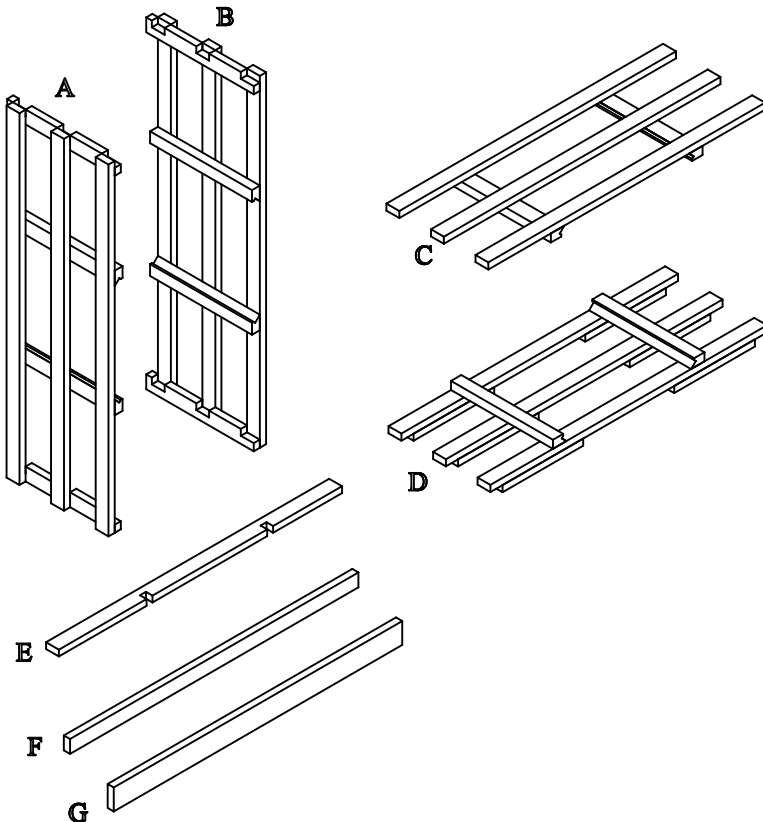


# Vintner Series

## Open 3ft Diamond Bin



### Parts List

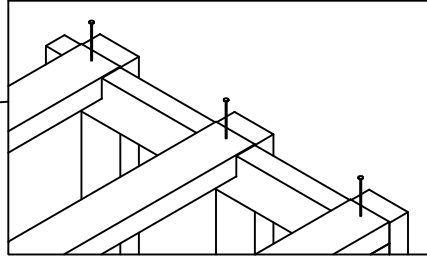
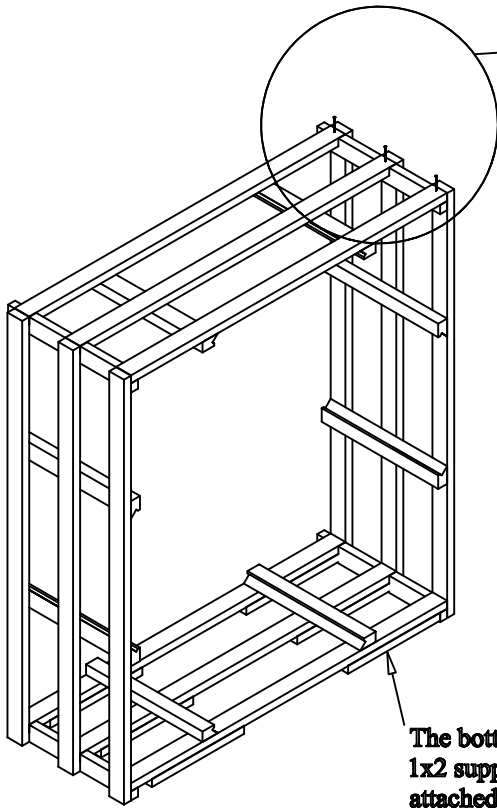


#	qty.	description
A	1	<b>Left Rack</b>
B	1	<b>Right Rack</b>
C	1	<b>Top Rack</b>
D	1	<b>Bottom Rack</b>
E	12	<b>2 notch Interlocks</b>
F	4	<b>Top/Side Trim</b>
G	2	<b>Bottom Trim</b>
*	1	Hardware Pack containing 1 <b>Bag of nails</b> 2 1" <b>Corner Brace</b> 2 <b>plastic anchors</b> 2 1" <b>#8 screws</b> 2 5/8" <b>#6 screws</b>

Wine Cellar Innovations  
 4575 Eastern Avenue  
 Cincinnati, Ohio 45226

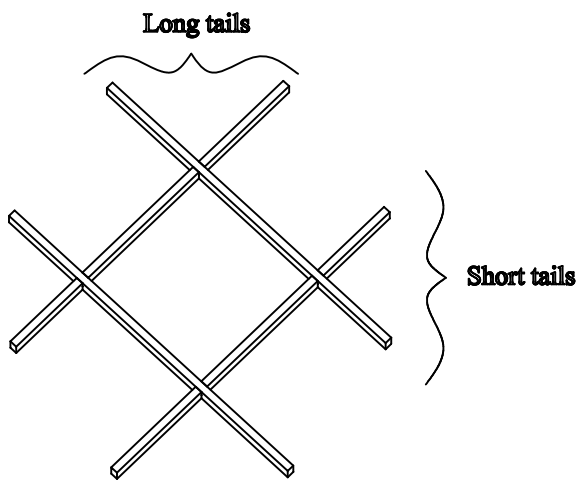
Phone: (800) 229-9813  
 Fax: (513) 979-5280  
[www.winecellarinnovations.com](http://www.winecellarinnovations.com)

1. Locate the top and sides of the rack. The sides will be the longer of the two rack sizes, the top will be the shorter one without six 1x2 supports attached to the bottom. Making sure the notches in the sides are facing up, nail through the top into each notch of the sides. Repeat for the bottom.



The bottom has six 1x2 supports attached to it.

2. Assemble a grid on the floor as shown being sure to nail through each intersection. Notice all long tails will face towards the top and bottom, the short tails towards the sides. Repeat for the other 2 grids.



3. Insert the completed grids into the diamond bin evenly spaced as shown below.

Nail top, bottom and side trim to the front of the diamonds bin. Your top and bottom trim will be double stacked.

If kit is going to be stacked with another kit follow trim kit instructions before attaching second bottom trim piece. If not then attach second bottom trim piece with nails.

The back of the rack has rail extensions, the front doesn't.

