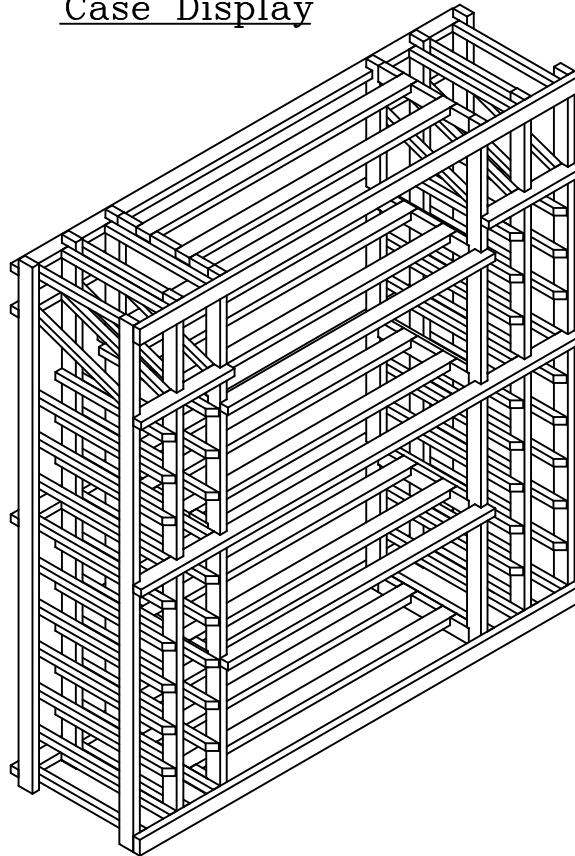


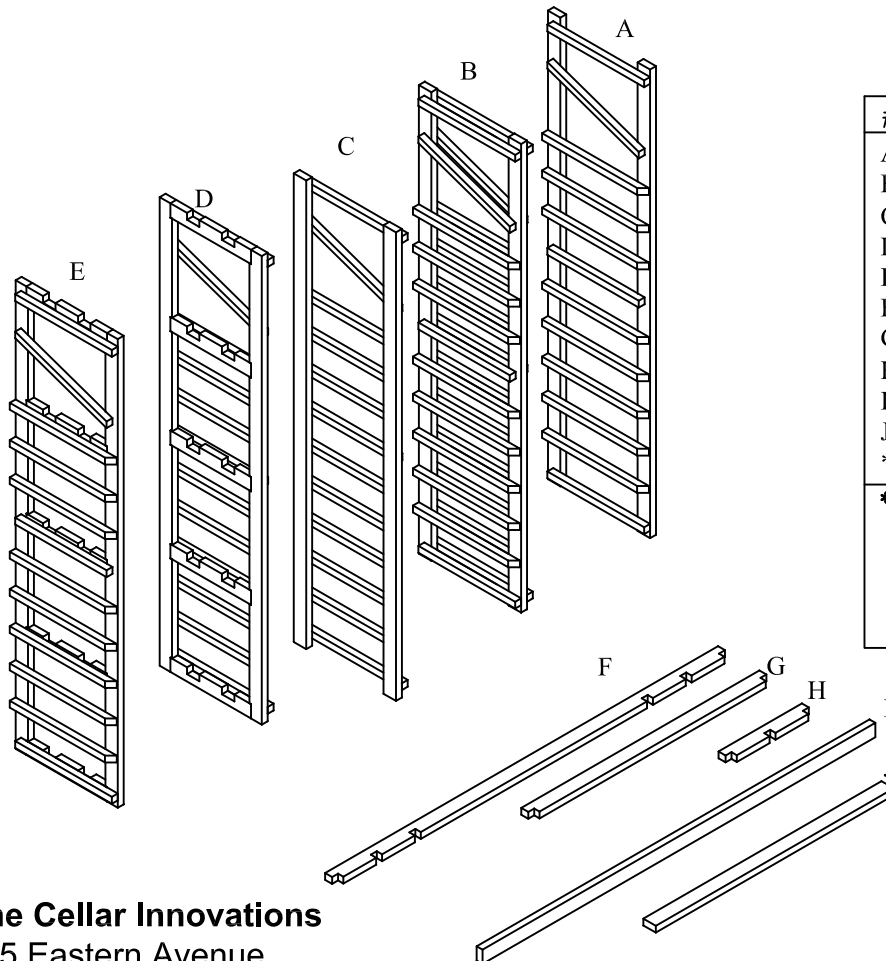
Vintner Series

Rev. 3/11/09

Case Display



Parts List



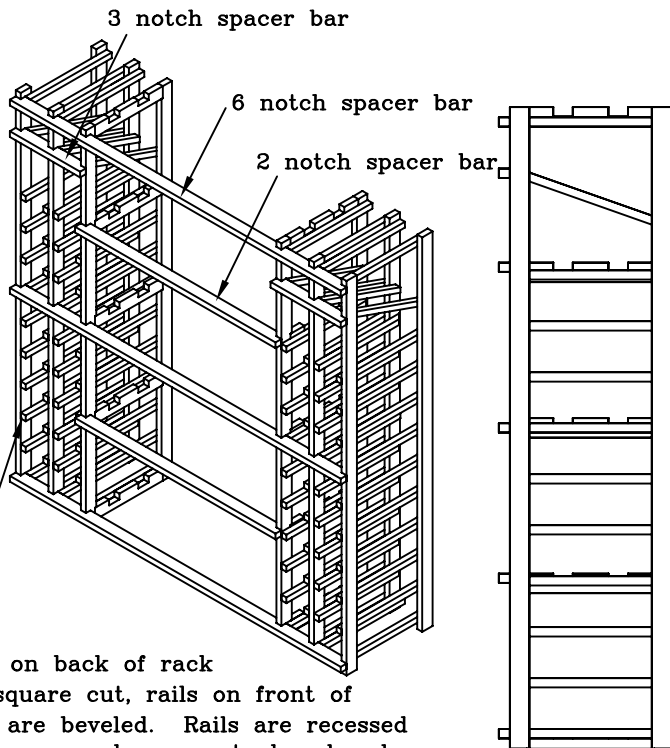
#	qty.	description
A	1	Right Rack
B	2	Double Racks
C	1	Left Rack
D	1	Common
E	1	Common
F	4	6 notch spacer bars
G	4	2 notch spacer bars
H	4	3 notch spacer bars
I	2	Top/Bottom Trim
J	10	Slats
*	1	Bag of Nails
*	1	Hardware Pack containing 2 1" Corner Brace 2 plastic anchors 2 1" #8 screws 2 5/8" #6 screws

Wine Cellar Innovations
4575 Eastern Avenue
Cincinnati, Ohio 45226

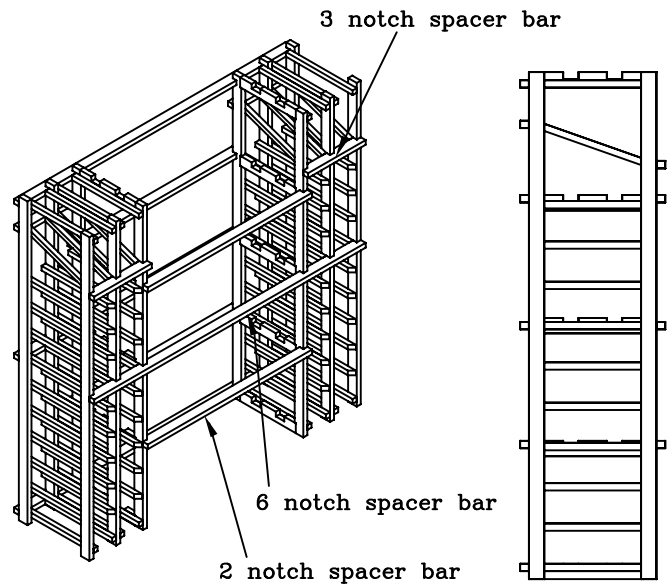
Phone: (800) 229-9813
Fax: (513) 979-5280
www.winecellarinnovations.com

1. Attach (7) spacer bars to the back of the racks with nails.

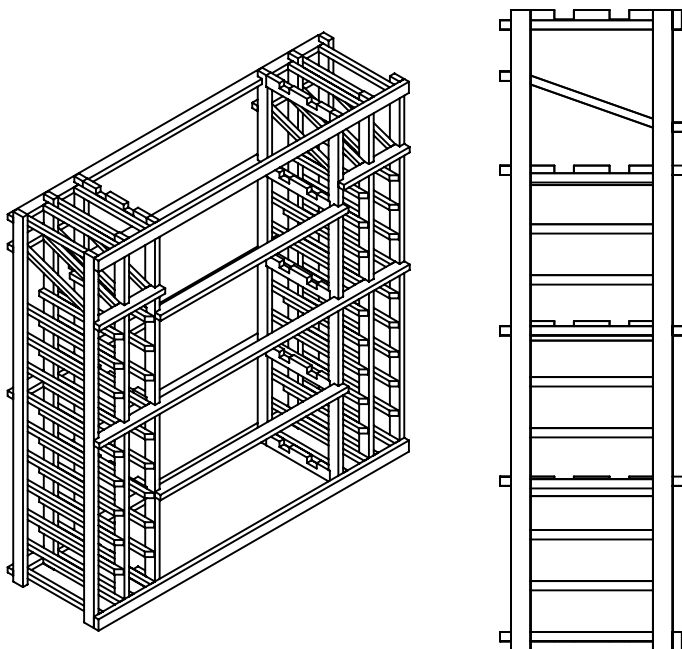
This can be done with the provided nails or with a brad nailer. Every notch should receive a nail.



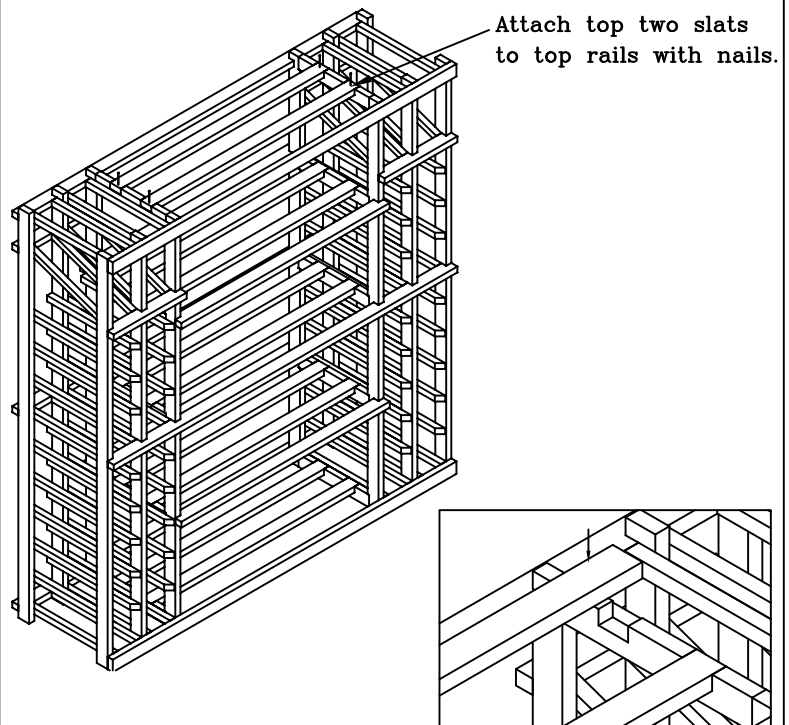
2. Attach 5 spacer bars to the front of the racks. Every notch should receive a nail.



3. Attach top trim to front of racks with nails provided. If unit is not going to be stacked on top of another kit then attach bottom trim as well. If unit is going to be stacked on top of another kit then follow the trim kit instructions before attaching the bottom trim board.

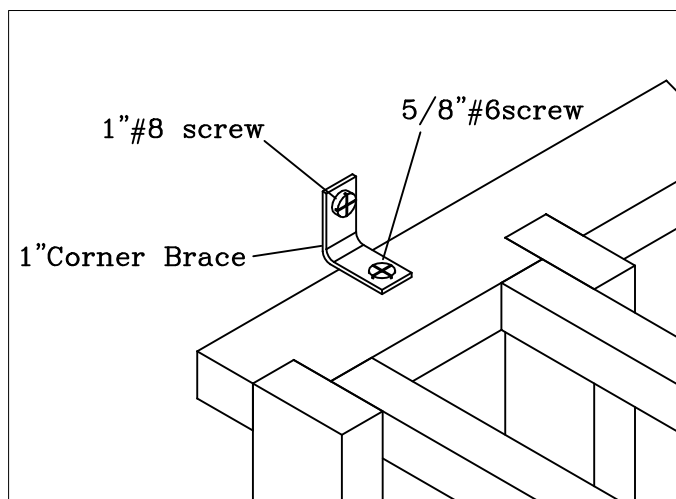


4. Insert slats into notched rails on racks. If you are stacking case kit on top of another kit then wait until kit has been attached to insert slats.



Final Step

Securing to wall



Note: due to ceiling height restrictions it may be necessary to attach Corner brace on under side of Spacer bar.

Secure rack to wall by attaching 1" corner brace to top back spacer bar (or solid top) of unit. You will have 1 brace on the left and 1 on the right.

If you are securing a kit that is stacked on top of another unit follow the instructions for installing trim kit before attaching to wall.

Attach the corner braces to one of the middle spacer bars, if you have a bin unit or diamond cube unit that will have other racks stacked on top of it.