

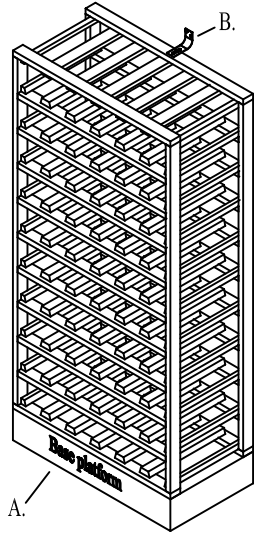
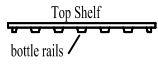
SRS Molding Instructions

Racking shown below may vary from sold items procedure is the same for all kits.

Step 1:

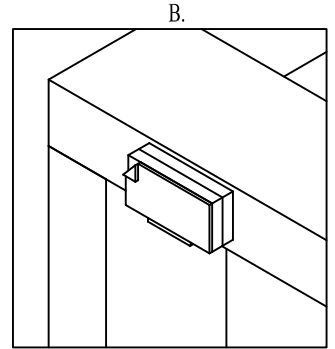
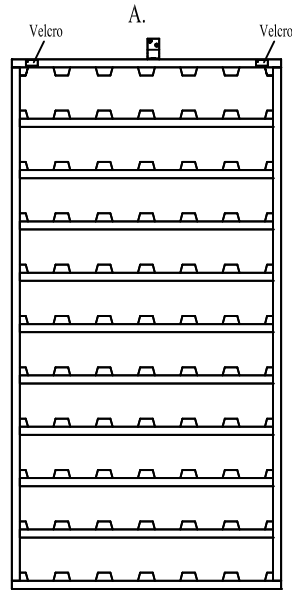
- A. Place assembled racking onto base platform.
- B. Secure racking to wall with wall bracket as described in racking assembly instructions.

Make sure bottle rails on top shelf face down.



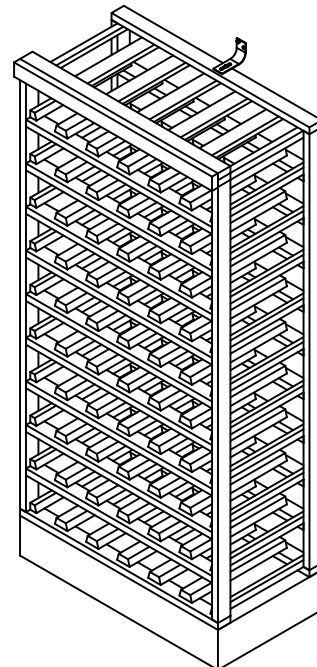
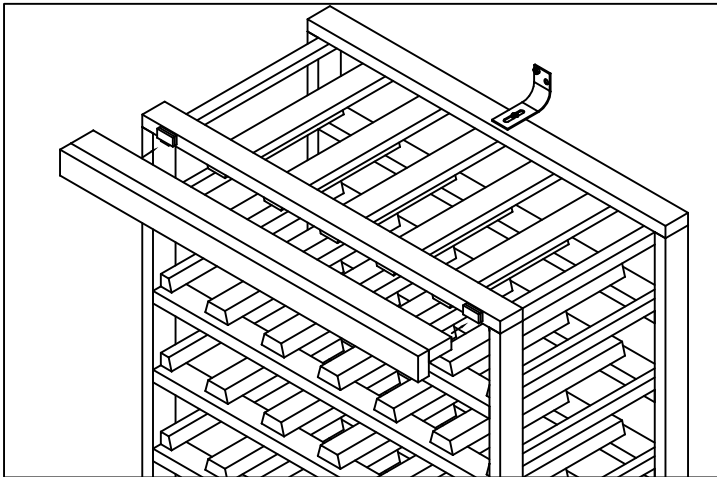
Step 2:

- A. Peel off paper backing from one side of Velcro firmly press Velcro into front of top shelf on left and right side.
- B. Peel off remaining paper backing from Velcro strips.



Step 3:

Firmly press crown piece into Velcro strips on front of racking.



Note: Procedure for curved kit is the same as shown above.