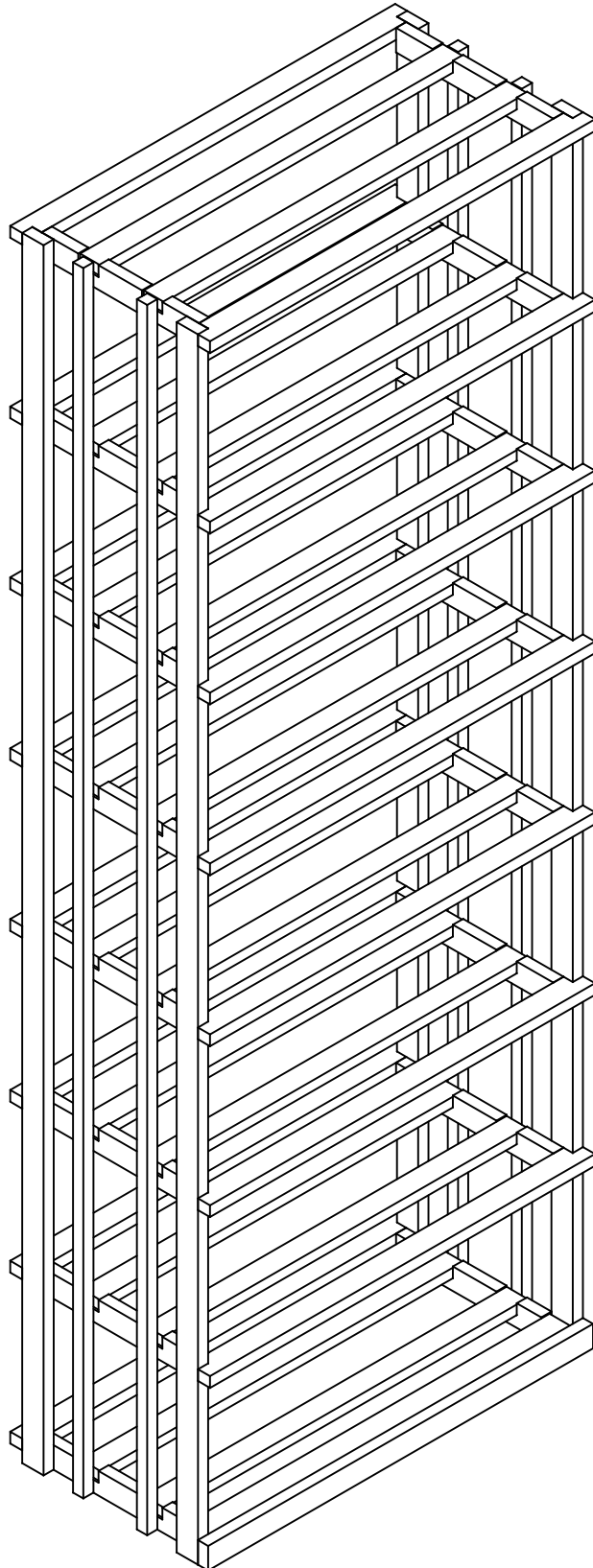


Designer Series

Rev. 6/9/08

Rectangular Bin



Wine Cellar Innovations
4575 Eastern Avenue
Cincinnati, Ohio 45226

Phone: (800) 229-9813
Fax: (513) 979-5280
www.winecellarinnovations.com

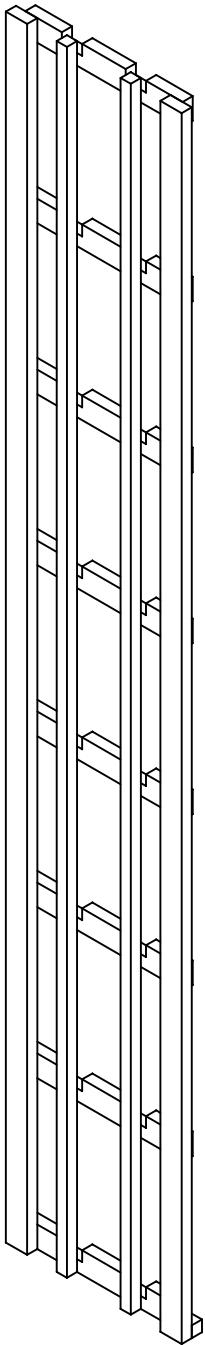
Rectangular Bin

Rev. 6/9/08

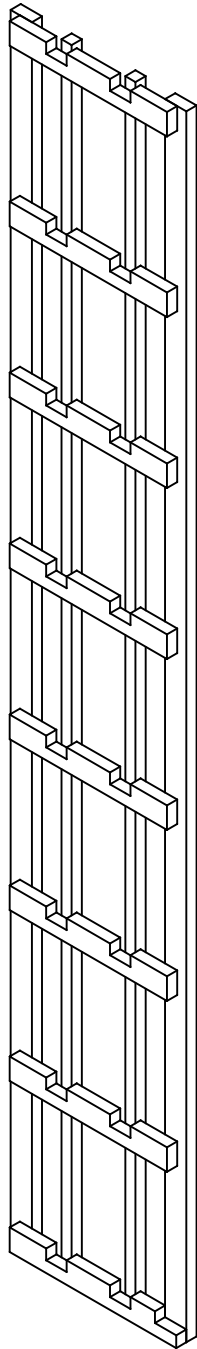
Parts List

#	qty.	description
A	1	Left
A1	1	Right
B	17	Slats
C	15	spacer bars
D	1	sq. cut base
*	1	bag of nails
*	1	Hardware Pack containing 2 angle brackets 2 plastic anchors 2 1" #8 screws 2 5/8" #6 screws

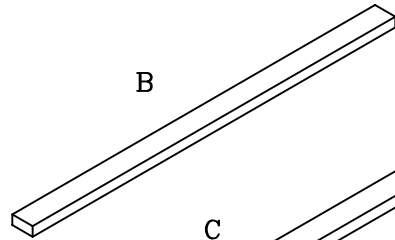
A



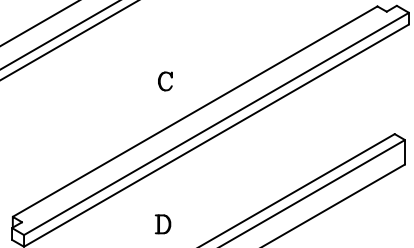
A1



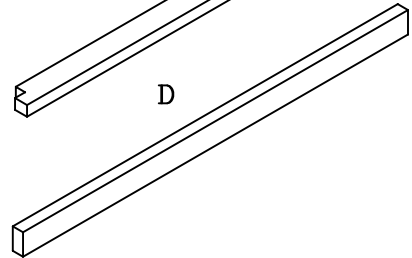
B



C

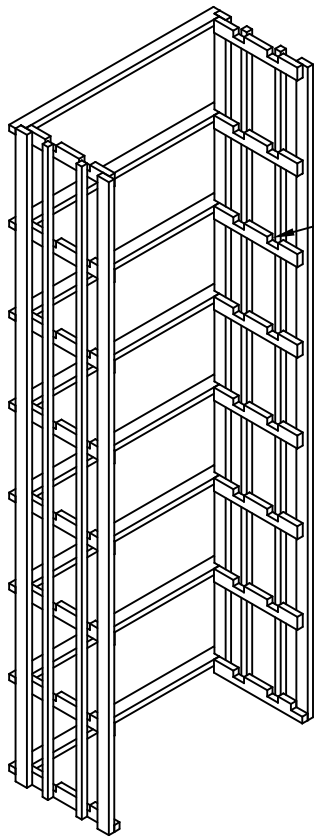


D

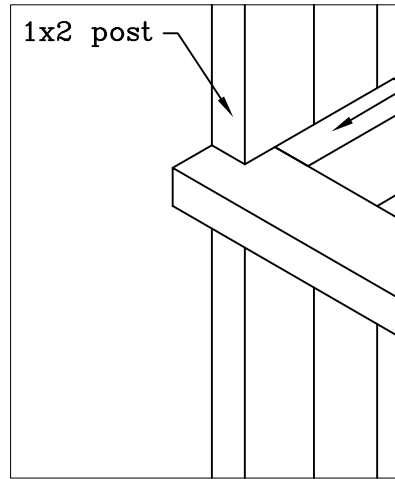


1.

Attach (8) spacer bars to racks with nails
Nail through notches in spacer bars into post. This can be done with provided nails or with a brad nailer.



notches on rails
need to face ceiling

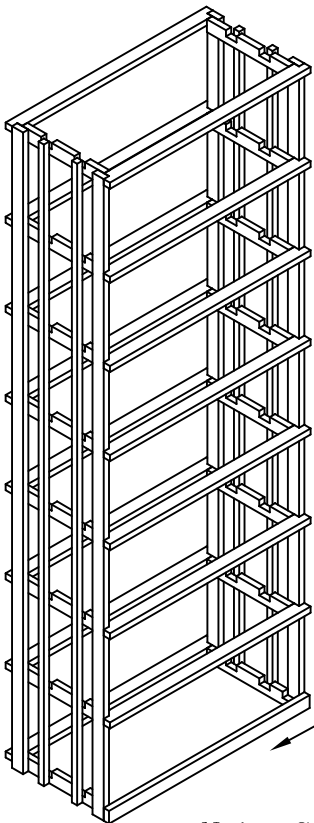


1x2 post

1x2 rails recessed
to accept spacer bars.
Spacer Bars should be
flush with top of rails.

2.

Attach (7) spacer bars
to front of racks.
as in step 1.

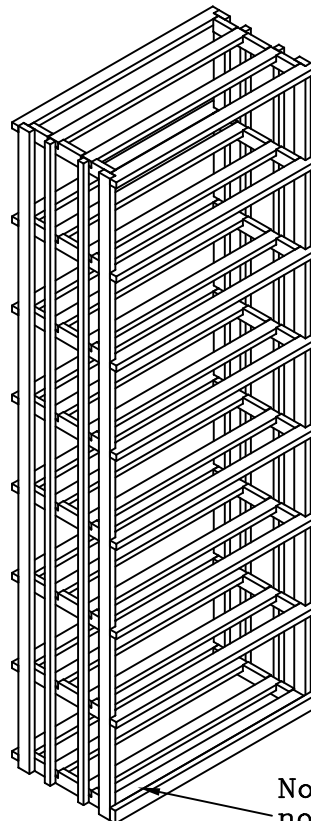


Attach sq. cut base

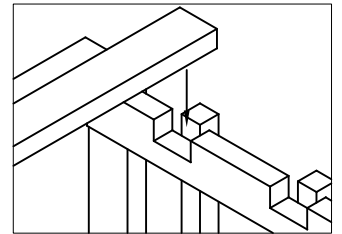
Note: Sq. cut base will not be
used if additional moldings are
purchased.

3.

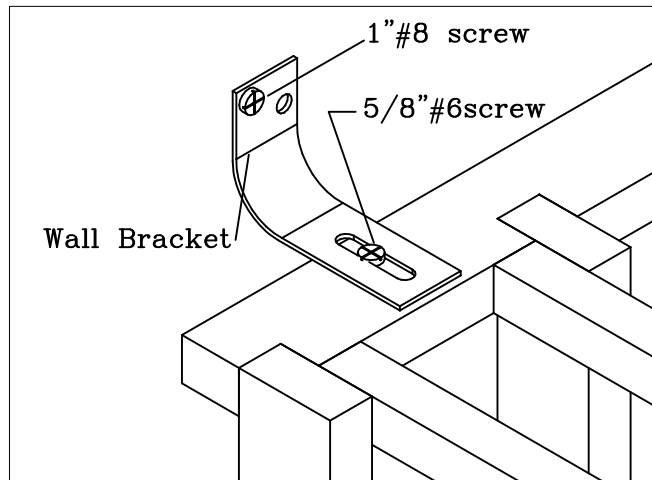
Insert (17) slats into
notched rails.



Note: 1 slat is placed in
notch behind base.



4.



Secure rack to wall by attaching wall brackets to top back spacer bar. You will have 1 bracket on the left and 1 on the right.

Rectangular bin
assembly complete.

always remove bottles before moving racks.