

Thank you for your purchase from Wine Cellar Innovations. In the manufacturing and packaging of your products numerous people have reviewed your order for accuracy and attention to detail. We believe this focus is what has made us the worldwide leader in wine storage products.

When assembling the products, please refer to the instructions provided and follow them closely. Always pre-drill pieces any time a screw will be used as a fastener. The cellar has been engineered with the weight of the bottles factored into the layout, and will be capable of sustaining loads far greater than this when assembled correctly.

If you happen to break a piece during installation we will replace it for free. In such a situation, feel free to contact us Monday through Friday between 8am and 5pm Eastern time.

Wine Cellar Innovations
4575 Eastern Avenue
Cincinnati, Ohio 45226

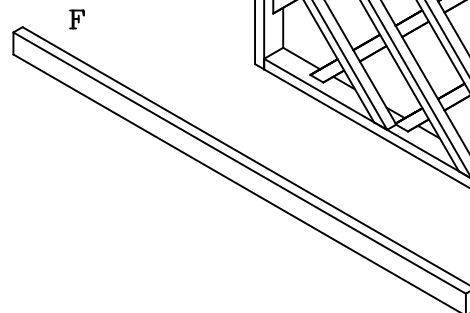
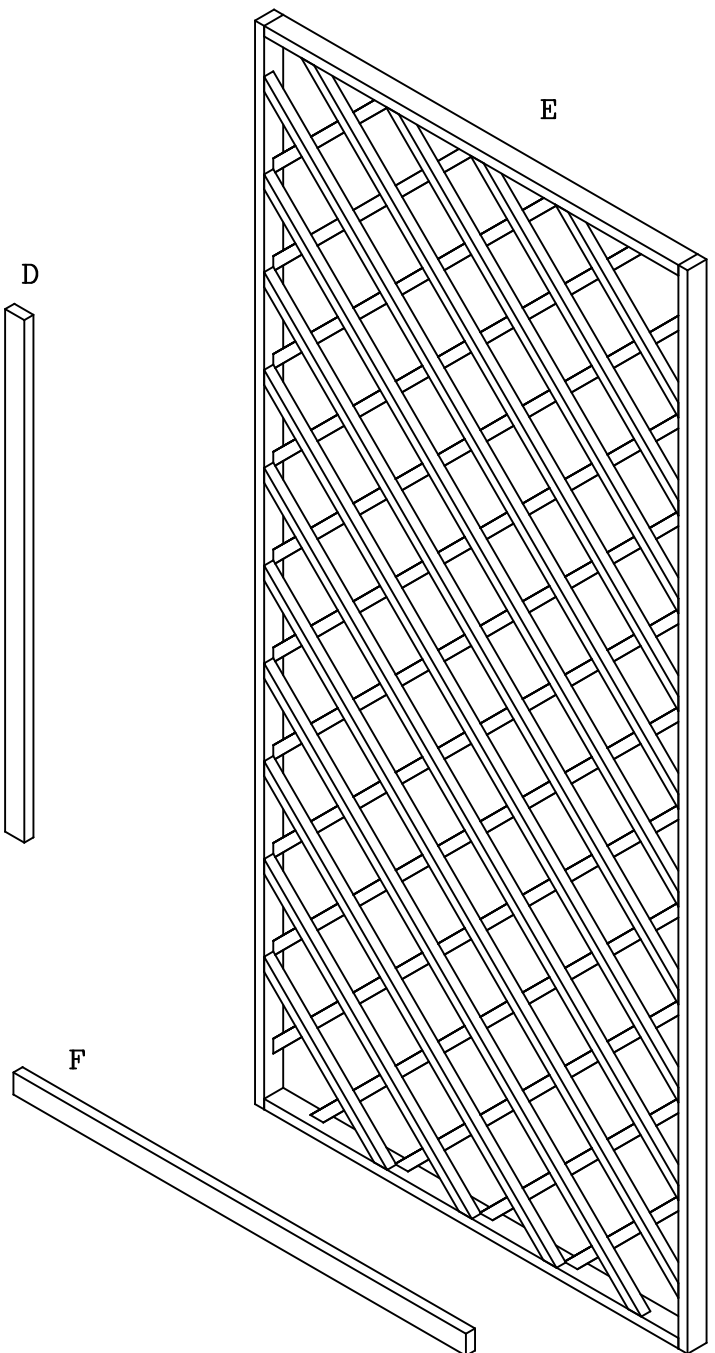
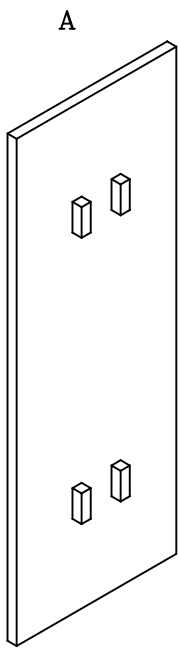
Phone: (800) 229-9813
Fax: (513) 979-5280
www.winecellarinnovations.com

Individual Diamond Bin

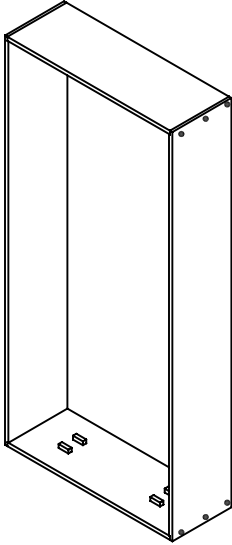
Rev. 2/18/09

Parts List

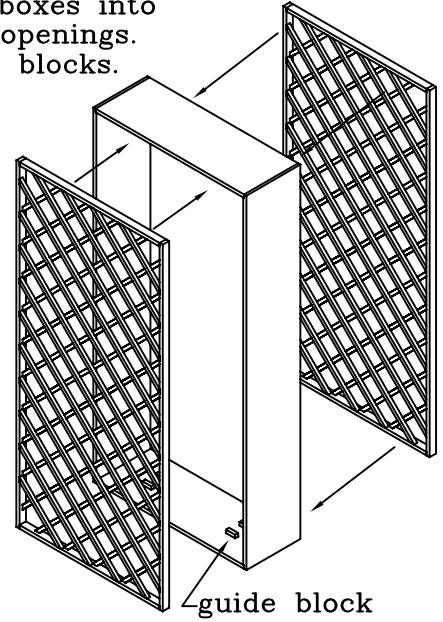
#	qty.	description
A	2	Top/Bottom
B	2	Sides
C	2	Side Trim
D	2	Top/Bottom Trim
E	2	Diamond Box
F	1	Crown Support
*	14	1 5/8" #6 screw
*	1	screwdriver bit
*	24	1 1/4" #8 screw
*	1	bag of nails (about 20)
*	1	Hardware Pack containing 2 angle brackets 2 plastic anchors 2 1" #8 screws 2 5/8" #6 screws



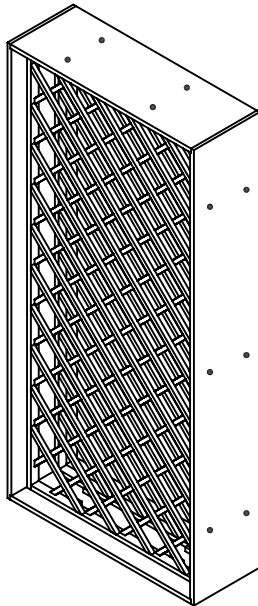
1. Attach top, bottom and sides together with 1 5/8" #6 Screws.



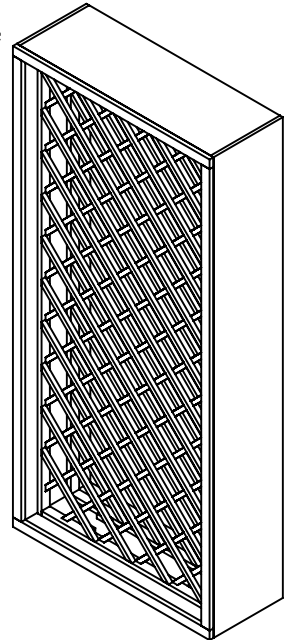
2. Insert diamond boxes into front and back openings. Press into guide blocks.



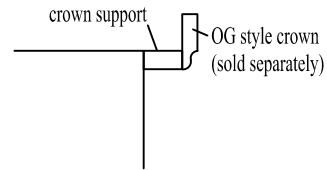
3. Secure diamond boxes to top, bottom and sides with 1 1/4" #8 screws.



4. Attach top, bottom and side trim to unit with nails.

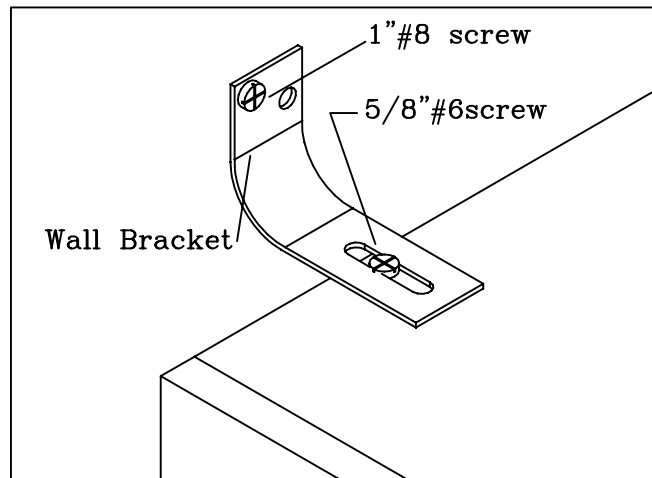


Crown support is to be used only when Crown molding is purchased



Attach crown support across top front of unit, nail crown (sold separately) to front of crown support.

Final.



Secure unit to wall by attaching wall brackets to top of rack. You will have 1 bracket on the left and 1 on the right.