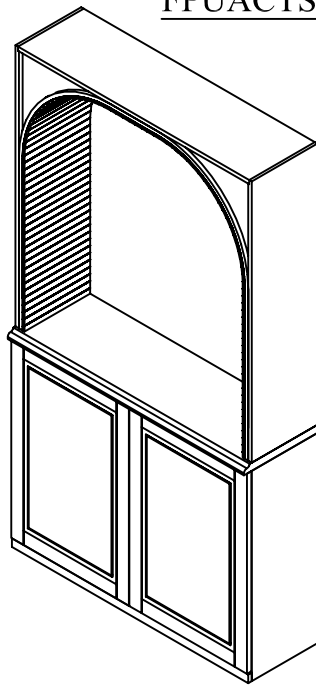
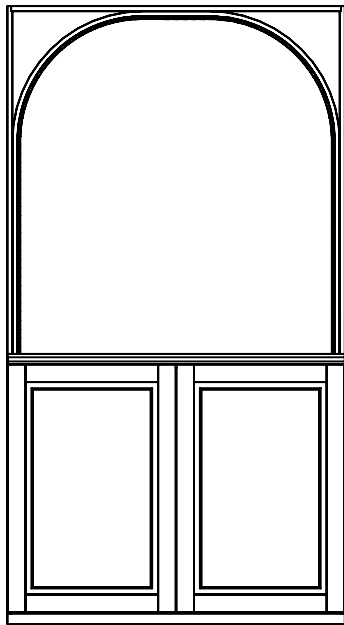


FPUACTS



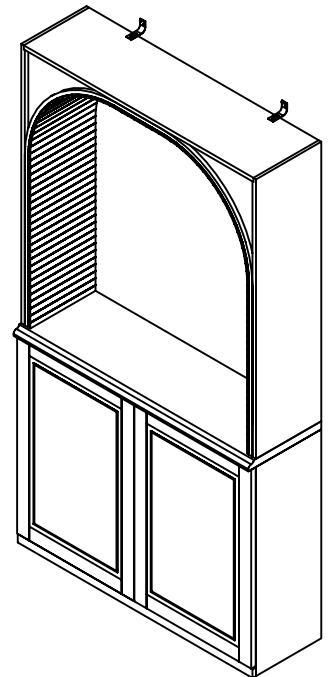
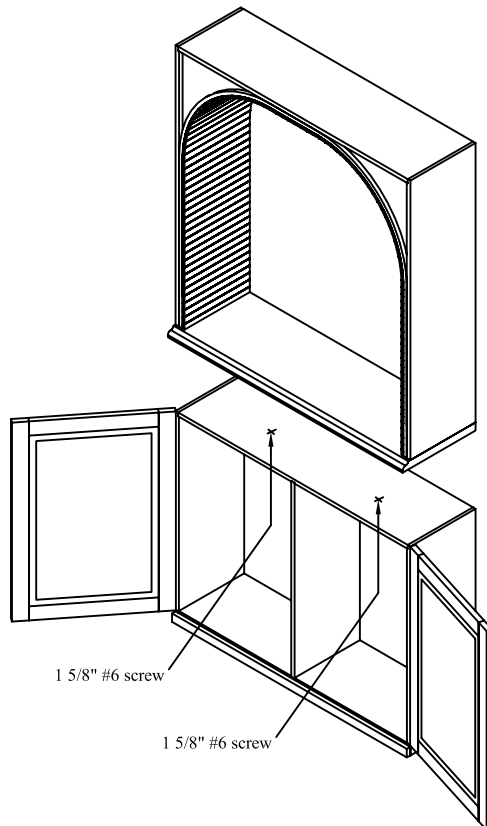
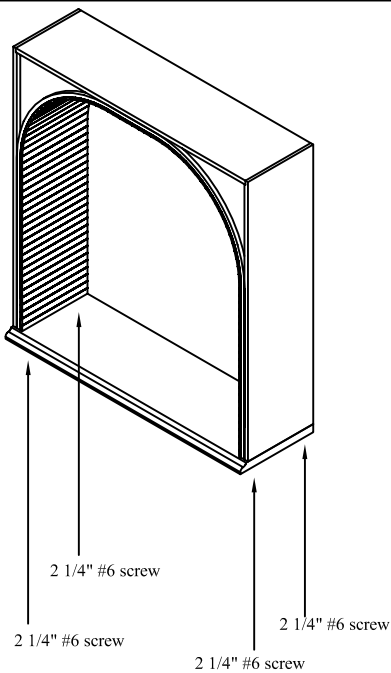
Parts List

1 Archway
1 Table Top
1 Door Cabinet

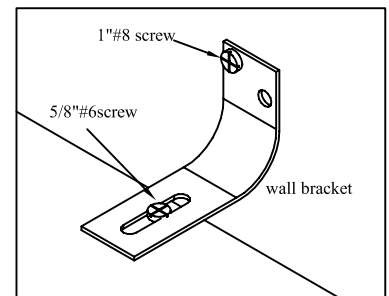
2 door pulls
16 metal shelf clips
4 2 1/4" #6 screw
2 1 5/8" #6 screw
1 Screw driver bit

1 Hardware Pack containing
2 angle brackets
2 plastic anchors
2 1" #8 screws
2 5/8" #6 screws

***Pre drill with a 1/16" drill bit before screwing through any component.



- Remove temporary bottom from archway, Screw through bottom of table top into archway.
- Place archway with attached table top on door cabinet, screw up through top of cabinet into table top.
- Secure unit to wall with wall brackets.



Wine Cellar Innovations
4575 Eastern Avenue
Cincinnati, Ohio 45226

Phone: (800) 229-9813
Fax: (513) 979-5280
www.winecellarinnovations.com