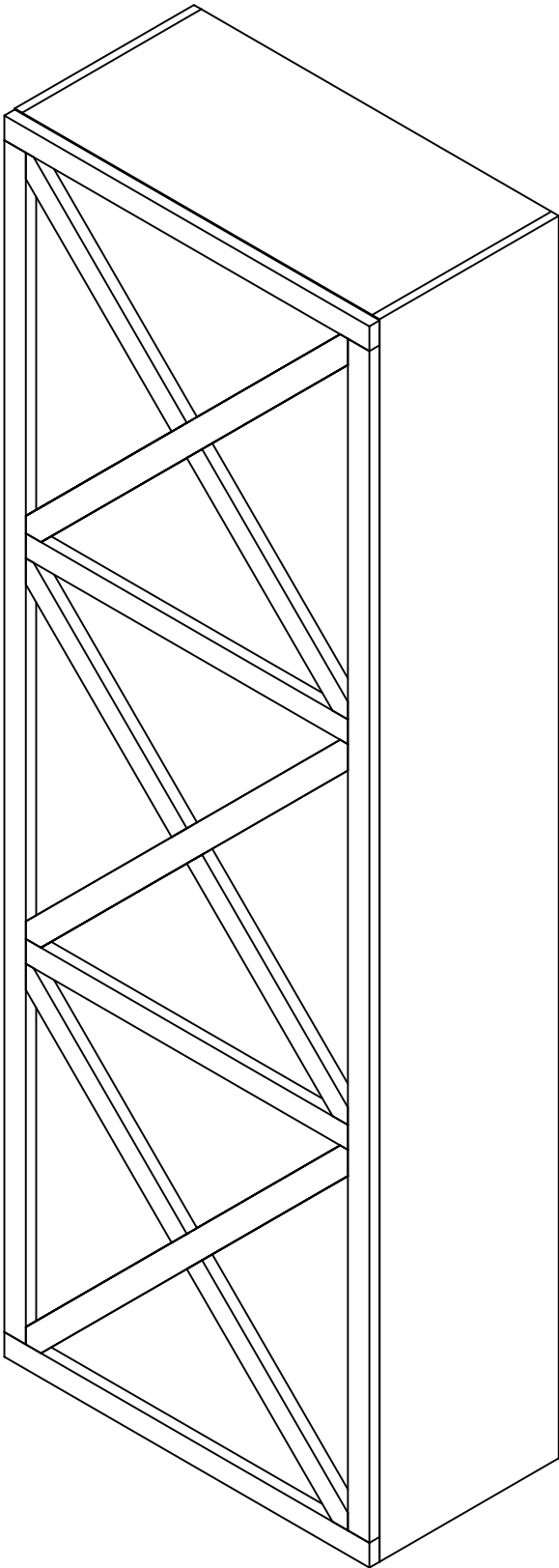


Designer Series

Rev. 6/9/08

Solid Diamond Cube



Wine Cellar Innovations
4575 Eastern Avenue
Cincinnati, Ohio 45226

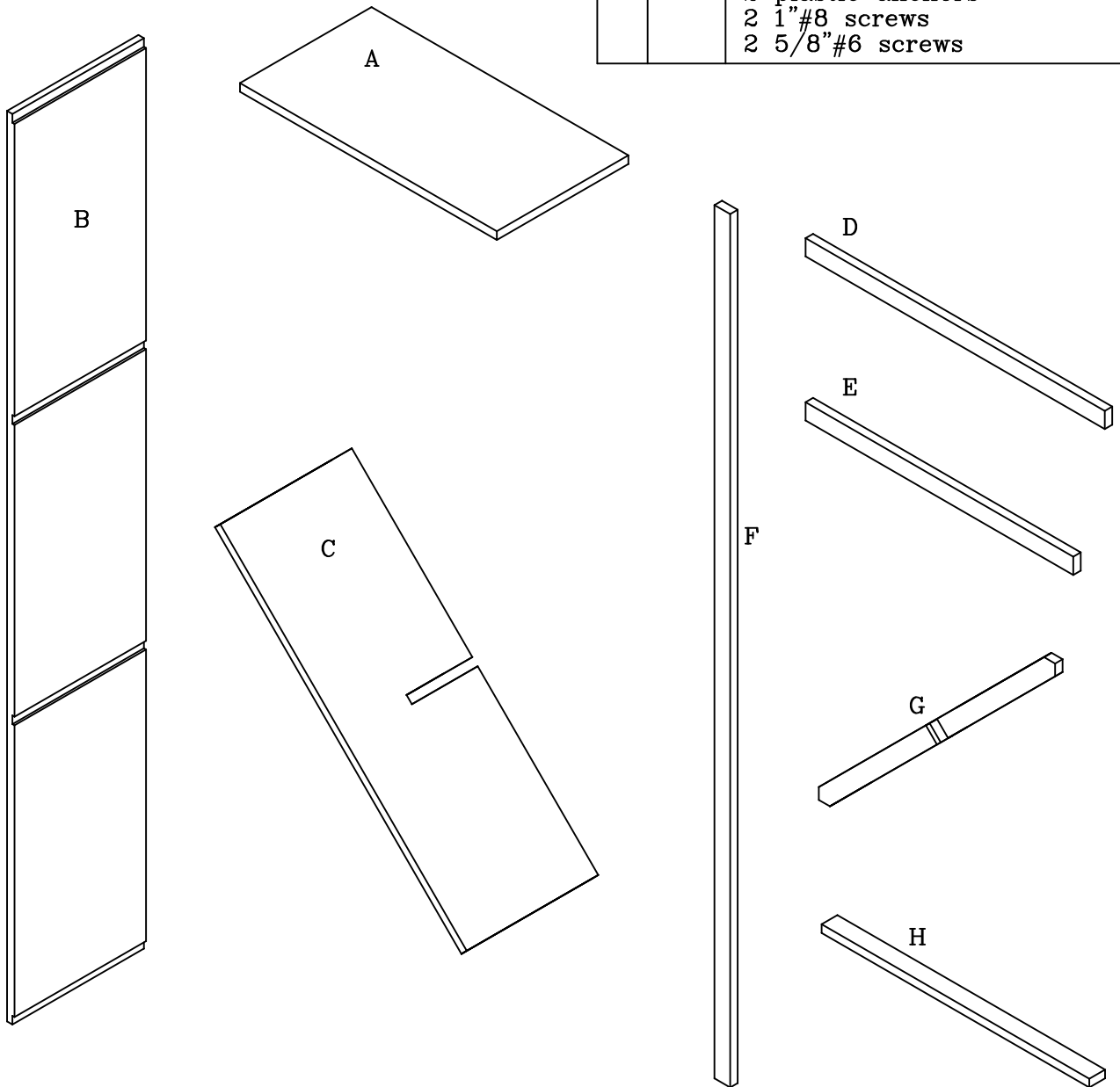
Phone: (800) 229-9813
Fax: (513) 979-5280
www.winecellarinnovations.com

Solid Diamond Cube

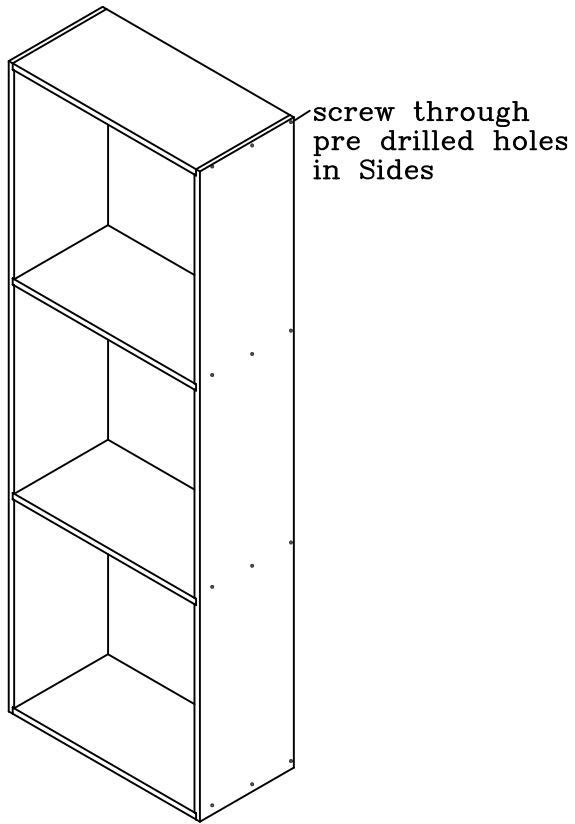
Rev. 6/9/08

Parts List

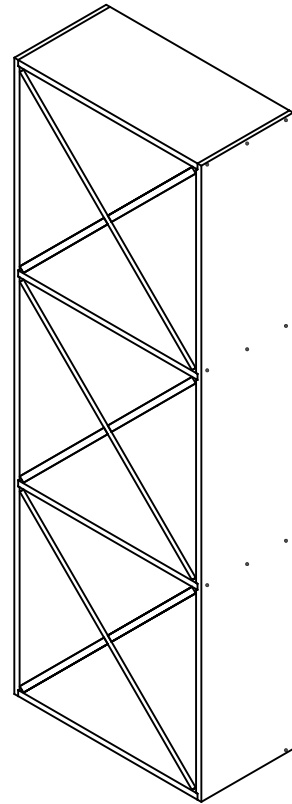
#	qty.	description
A	4	Top, bottom, and middle boards
B	2	Sides
C	3	X-interlocks (6 boards total)
D	2	Top, bottom trim
E	2	Middle trim
F	2	Side Trim
G	3	X-interlock trim(6 boards total)
H	1	Crown support
*	1	Bag of Nails
*	1	Patch Stick
*	1	Screw driver bit
*	24	1 5/8" #6 screws
*	1	Hardware Pack containing 2 angle brackets 2 plastic anchors 2 1" #8 screws 2 5/8" #6 screws



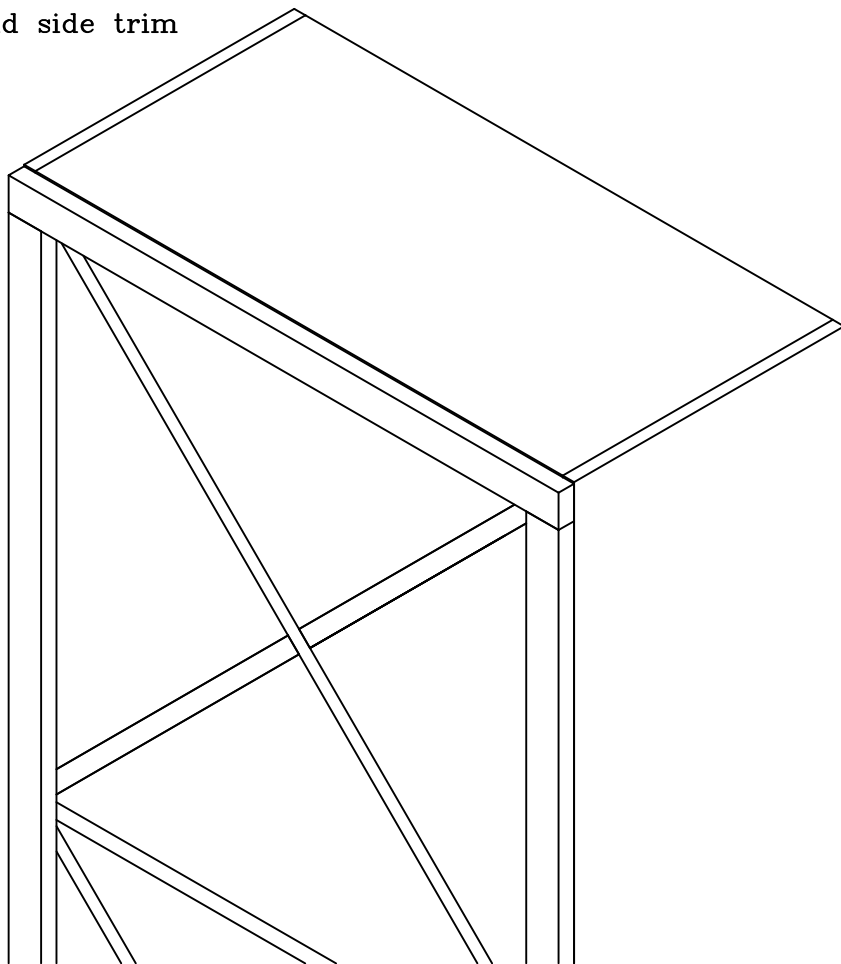
1. Attach top, bottom, and middle to sides with 1 5/8" #6 screws.



2. Join together 2 interlocking boards to form x-interlocks and slide into openings

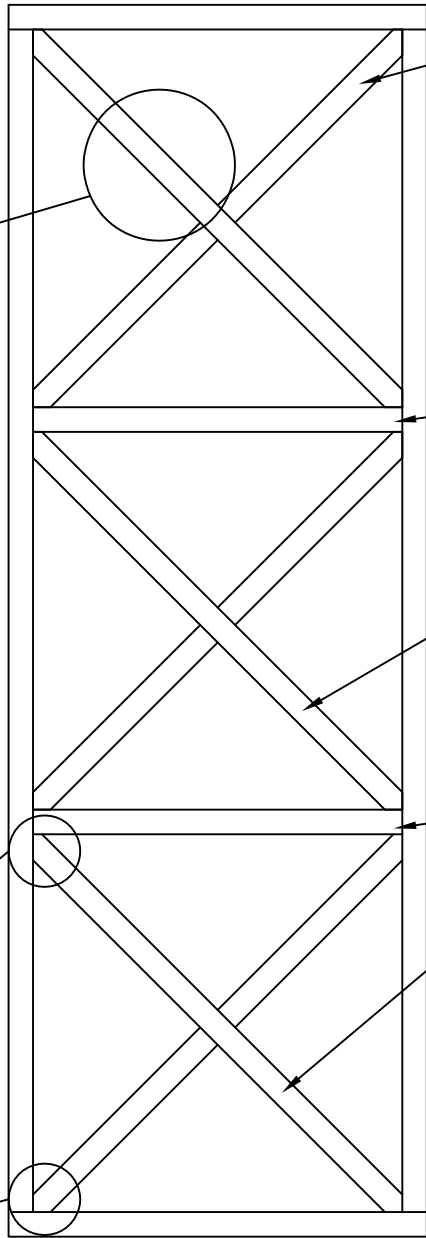
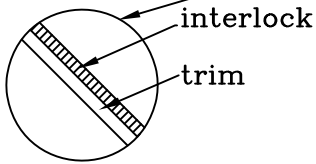


3. Nail top, bottom, and side trim to diamond frame.



4. Attach interlock and middle trim.

Note: finished interlock trim will be offset from center of interlock.



a. Start at top attach interlock trim.

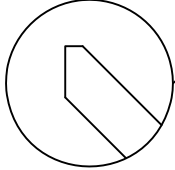
b. Attach middle trim

c. Attach interlock trim

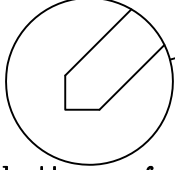
d. Attach middle trim

e. Attach interlock trim

top of trim



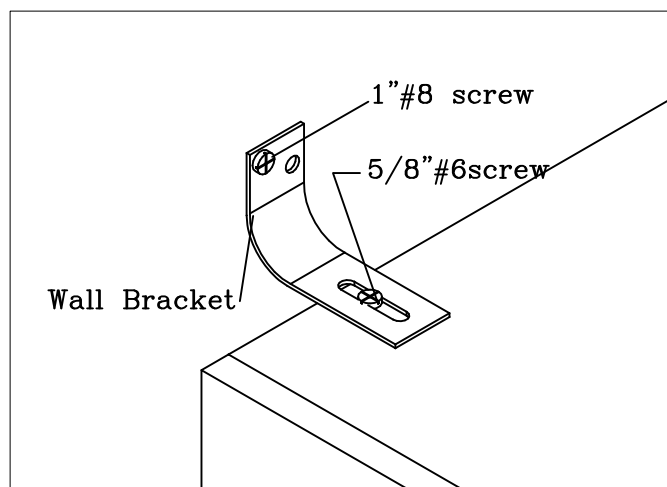
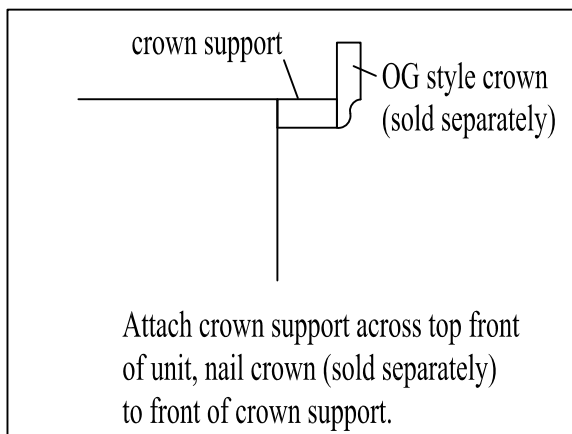
bottom of trim



*Top of interlock trim has an offcenter angle cut
Bottom has an even 45° cut

5.

Crown support is to be used only when
Crown molding is purchased



Secure rack to wall by attaching wall brackets
to top rear of unit. You will have 1 bracket
on the left and 1 on the right.

Solid Diamond Cube Assembly Complete.
Always remove bottles before moving racks.