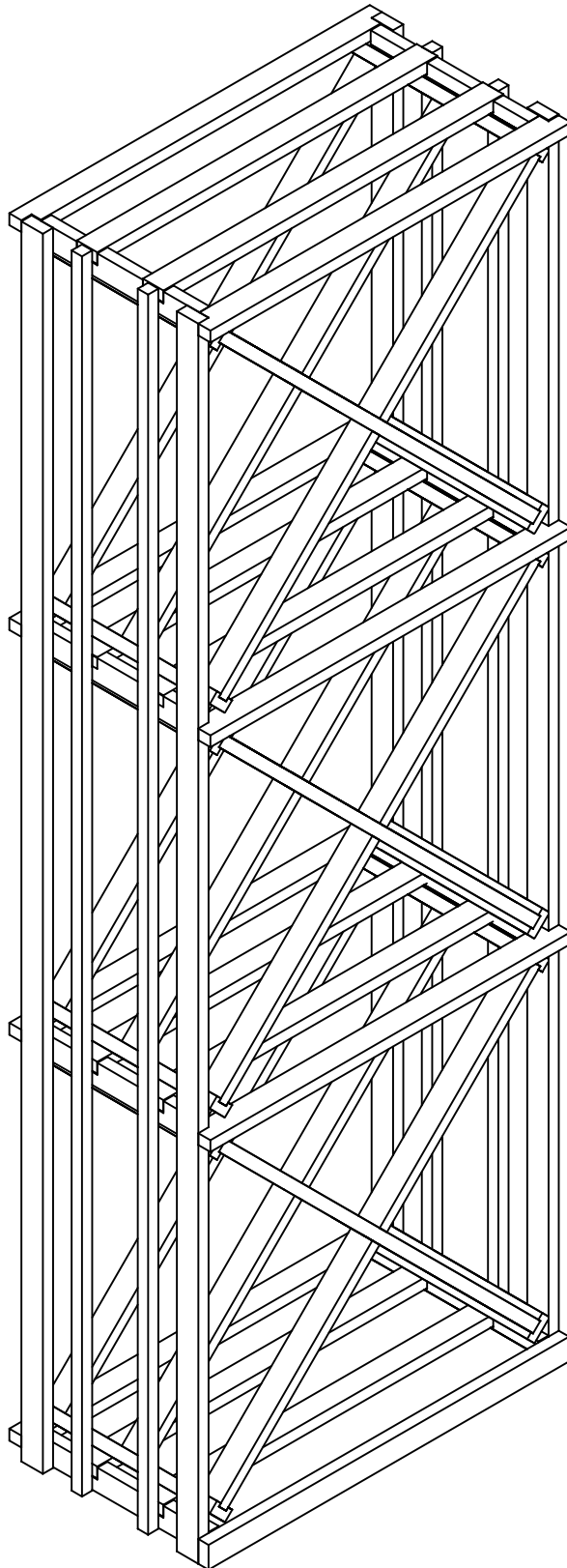


Designer Series

Rev. 6/9/08

Open Diamond Cube



Wine Cellar Innovations
4575 Eastern Avenue
Cincinnati, Ohio 45226

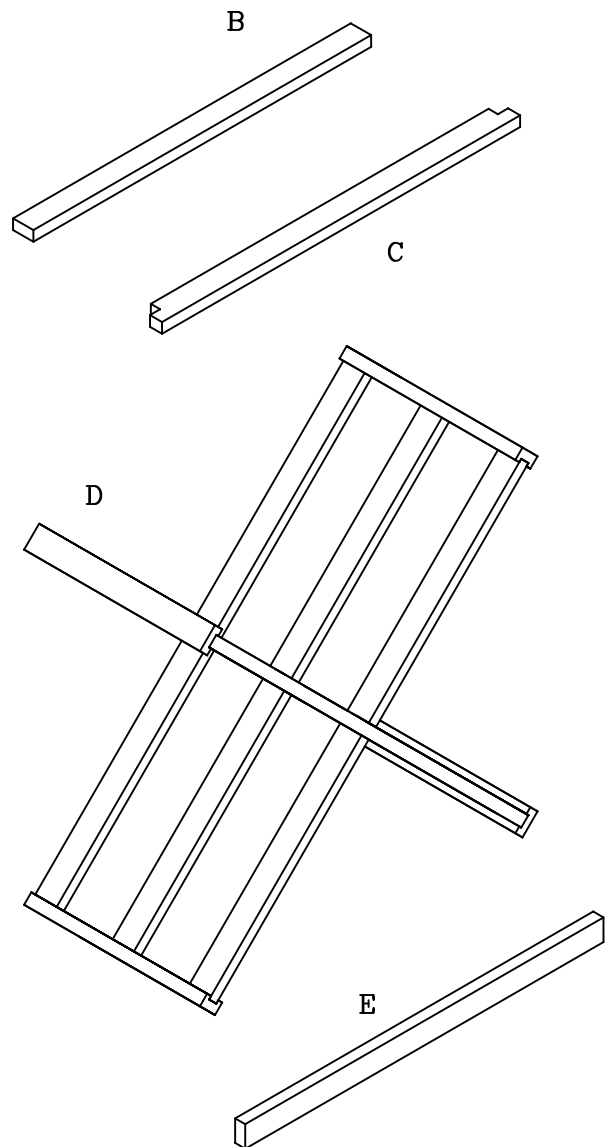
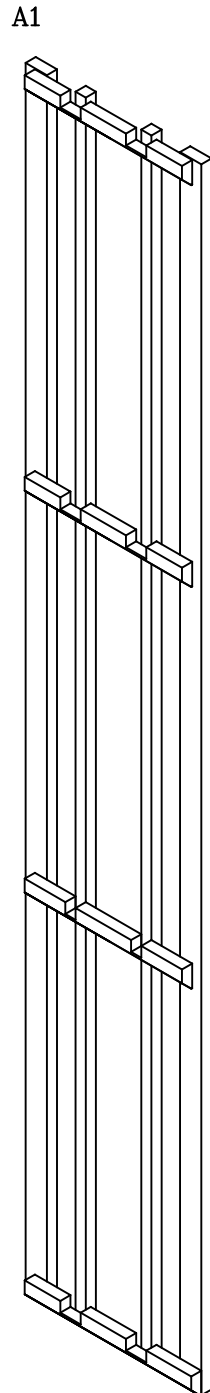
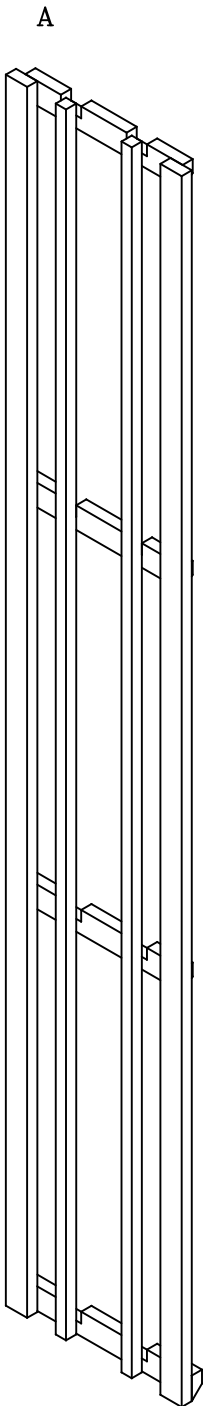
Phone: (800) 229-9813
Fax: (513) 979-5280
www.winecellarinnovations.com

Open Diamond Cube

Parts List

Rev. 6/9/08

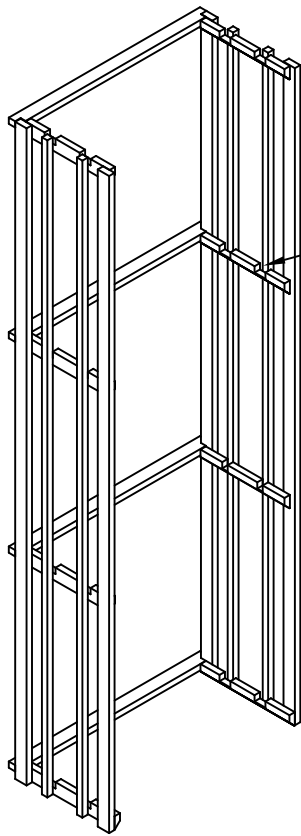
| # | qty. | description |
|----|------|---------------------------------------------------------------------------------------------------------|
| A | 1 | Left |
| A1 | 1 | Right |
| B | 8 | Slats |
| C | 7 | spacer bars |
| D | 3 | X-interlocks |
| E | 1 | sq. cut base |
| * | 1 | bag of nails |
| * | 1 | Hardware Pack containing 2 angle brackets 2 plastic anchors 2 1" #8 screws 2 5/8" #6 screws |



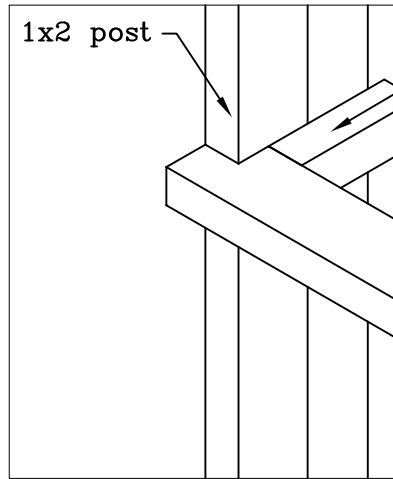
1.

Attach (4) spacer bars to racks with nails

Nail through notches in spacer bars into post. This can be done with provided nails or with a brad nailer.



notches on rails
need to face ceiling

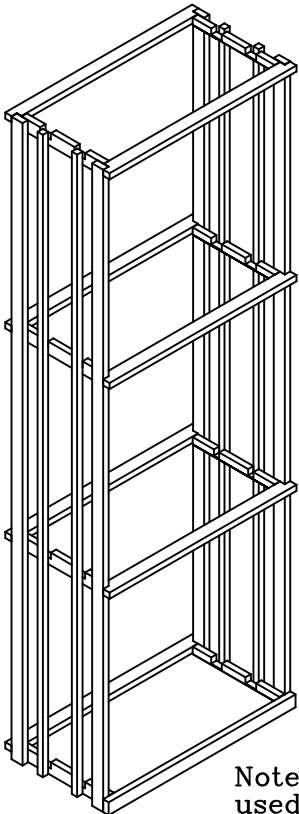


1x2 post

1x2 rails recessed
to accept spacer bars.
Spacer Bars should be
flush with top of rails.

2.

Attach (3) spacer bars
to front of racks.
as in step 1.

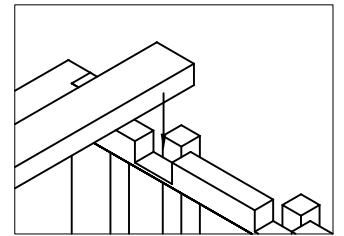


Attach sq. cut base

Note: Sq. cut base will not be
used if additional moldings are
purchased.

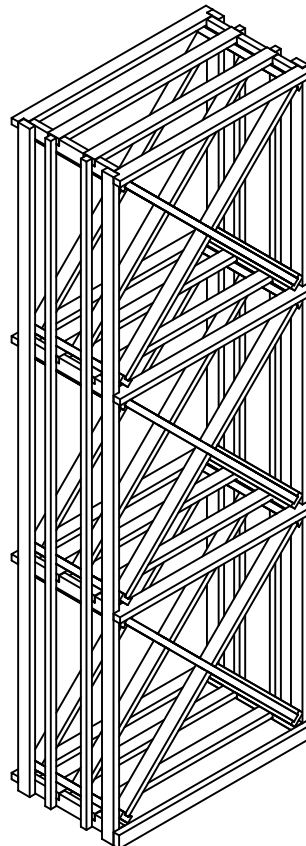
3.

a. Insert (8) slats into
notched rails.

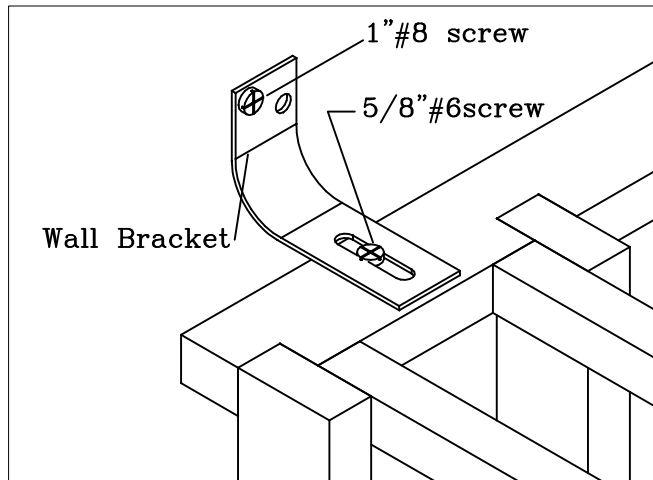


b. Insert (3) x-interlocks
into openings.

Note: interlocks do
not need to be nailed
to racks.



4.



Secure rack to wall by attaching wall brackets to top back spacer bar. You will have 1 bracket on the left and 1 on the right.

Open Diamond Cube
assembly complete.

always remove bottles before moving racks.