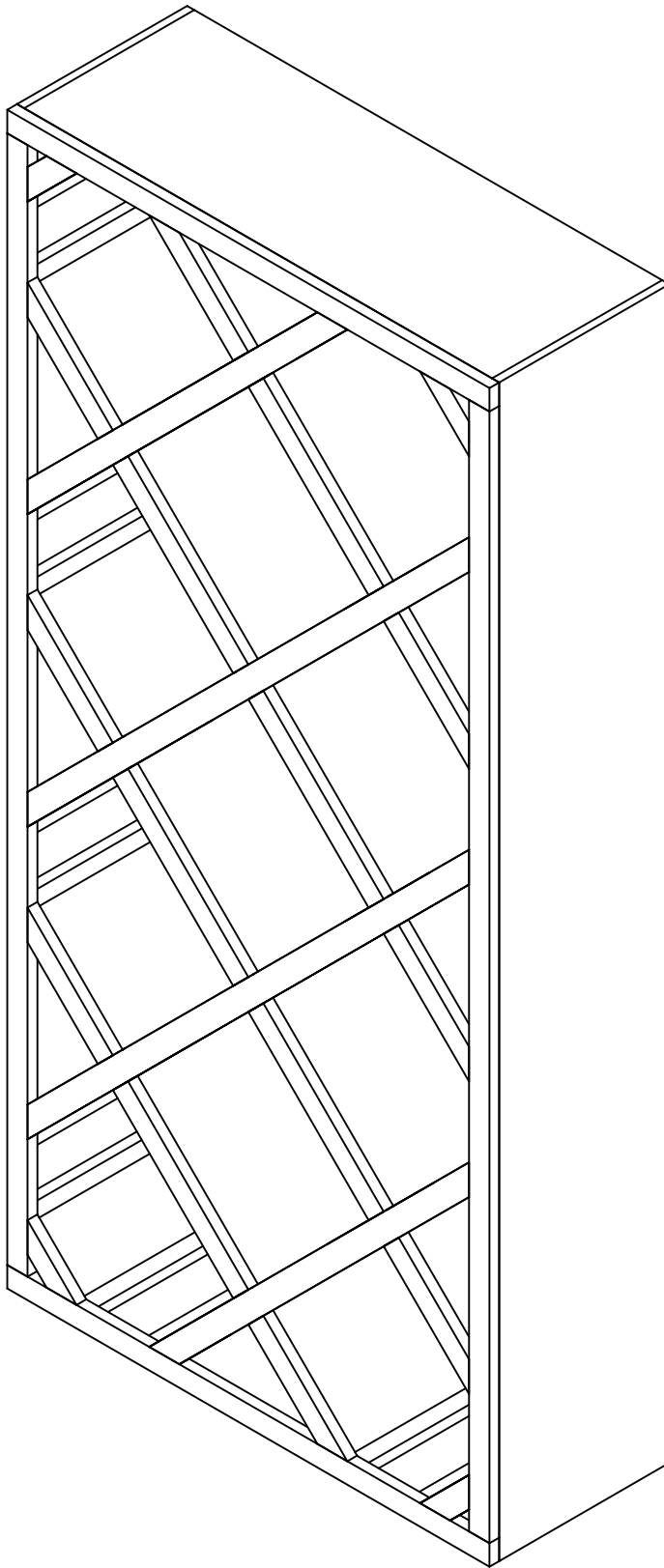


Designer Series

Rev. 2/17/09

Diamond Bin With Face Trim



Wine Cellar Innovations
4575 Eastern Avenue
Cincinnati, Ohio 45226

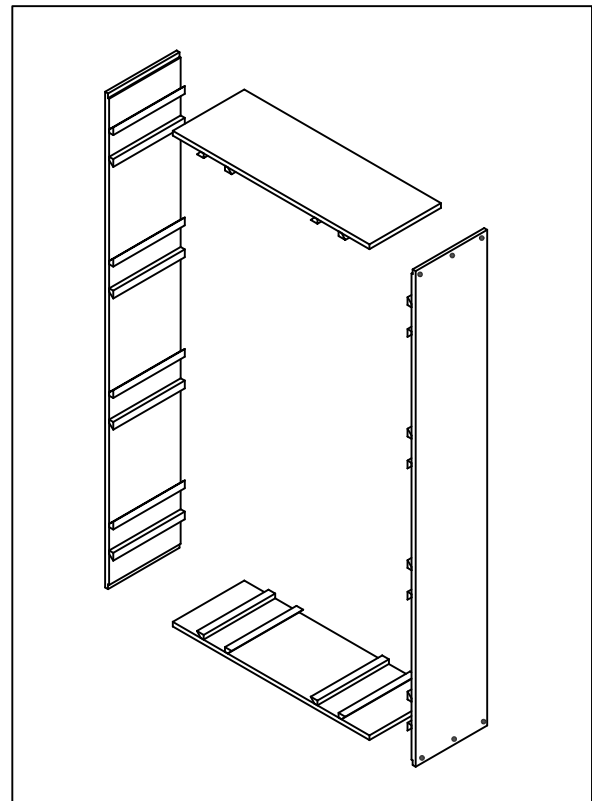
Phone: (800) 229-9813
Fax: (513) 979-5280
www.winecellarinnovations.com

Diamond Bin With Face Trim

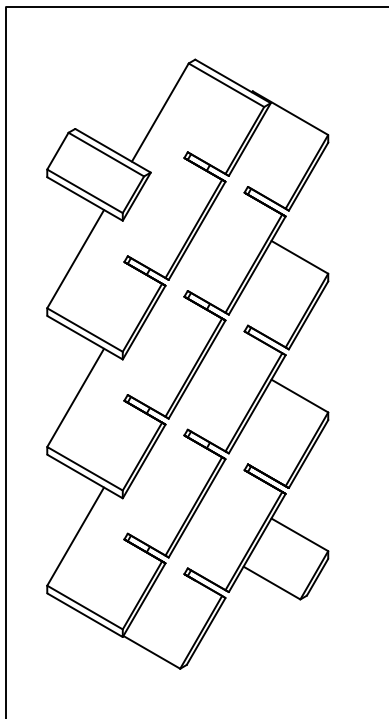
Rev. 2/17/09

Parts List

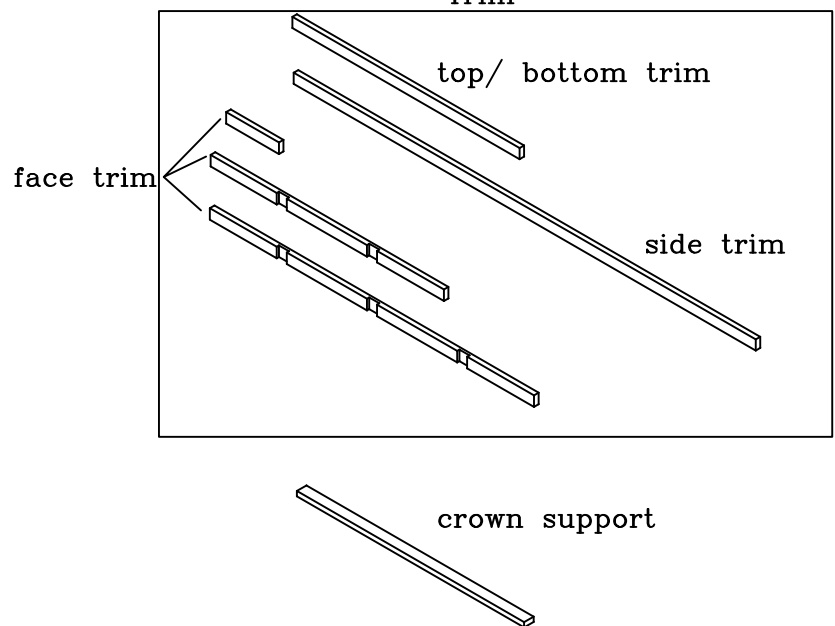
qty.	description
2	(1 each) Top/ Bottom
2	Sides
2	(1 each) Top/ Bottom Trim
2	Side Trim
4	3 Notch Face Trim
4	2 Notch Face Trim
4	Corner Face Trim
1	Crown support
1	Bag of Nails
1	Patch stick
1	Screw Driver Bit
12	1 5/8" #6 screws
1	Hardware Pack containing 2 angle brackets 2 plastic anchors 2 1" #8 screws 2 5/8" #6 screws
X-Interlock boards	
12 total boards	4 straight (no notches) 4 2 Notched 4 3 Notched



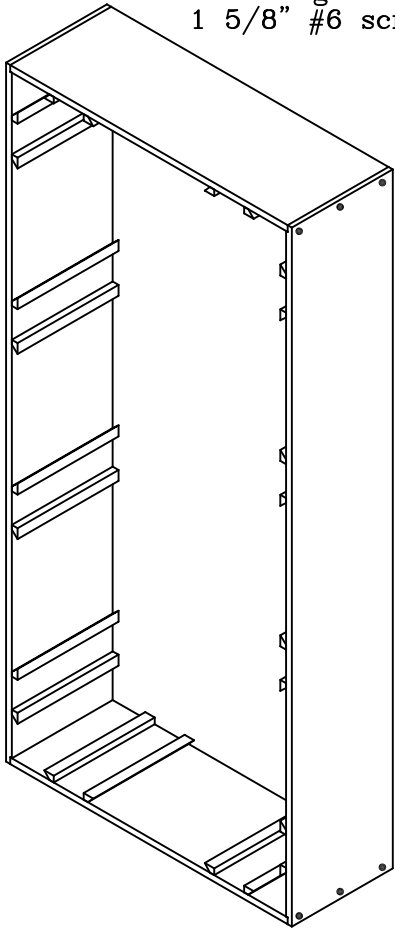
X-Interlocks



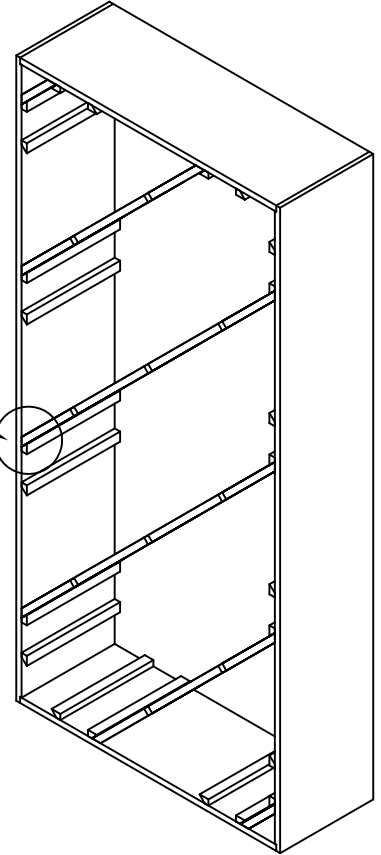
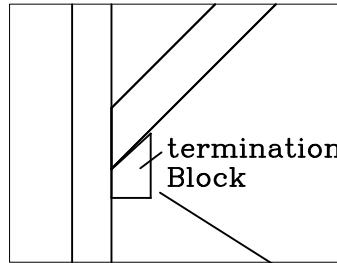
Trim



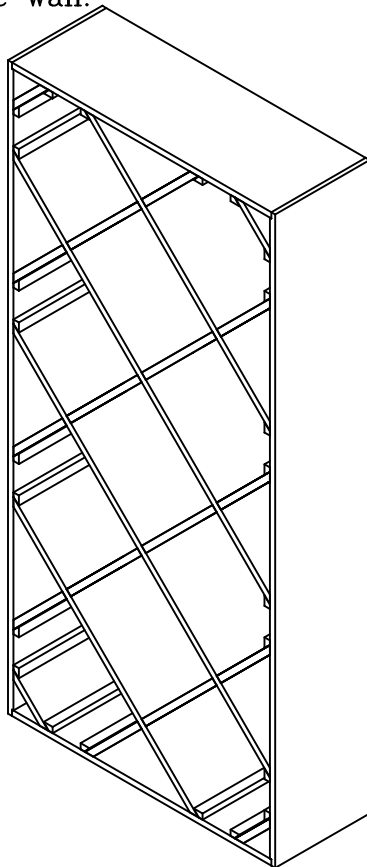
1. Attach the top, bottom, and sides together with the 1 5/8" #6 screws.



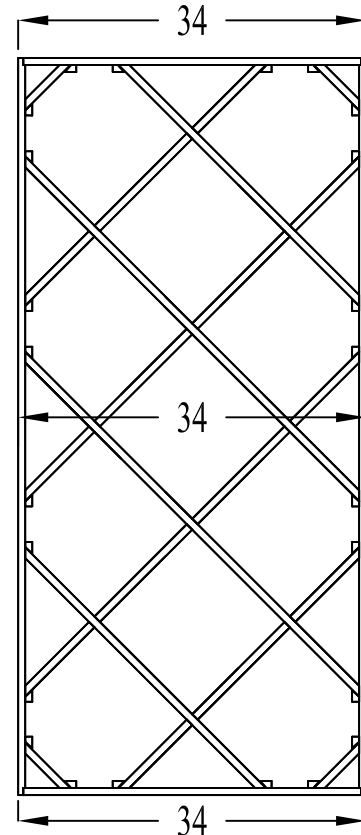
2. Insert 1/2 of interlock boards into termination blocks, notches on interlock boards should face front.



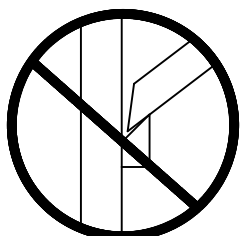
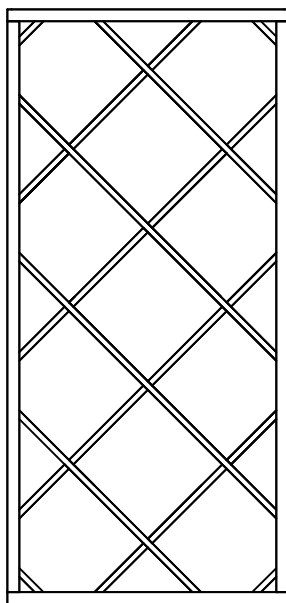
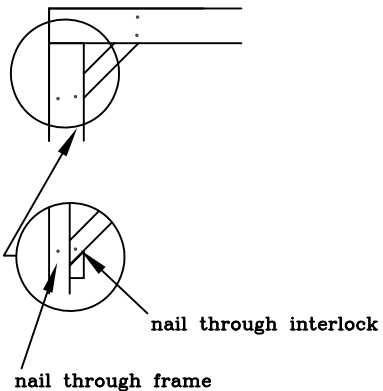
3. Insert remaining interlock boards into termination blocks, notches on interlock boards should face wall.



4. Measure top, middle and bottom of Diamond bin, to prevent gaps in trim all three must equal 34". Be sure to maintain 34" dimension while attaching trim.

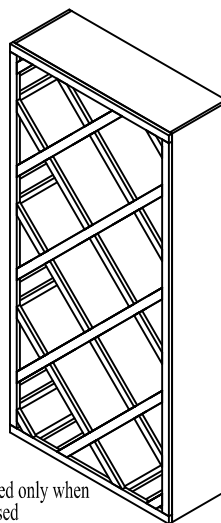


5. Attach Perimeter Trim. At each interlock nail through frame (top, bottom, sides) and interlock.

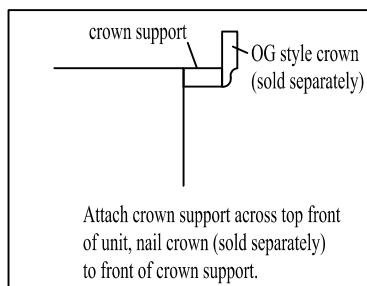


There should be no gaps between interlocks and frame. If gaps occur, measure top, bottom, and middle as in step:4.

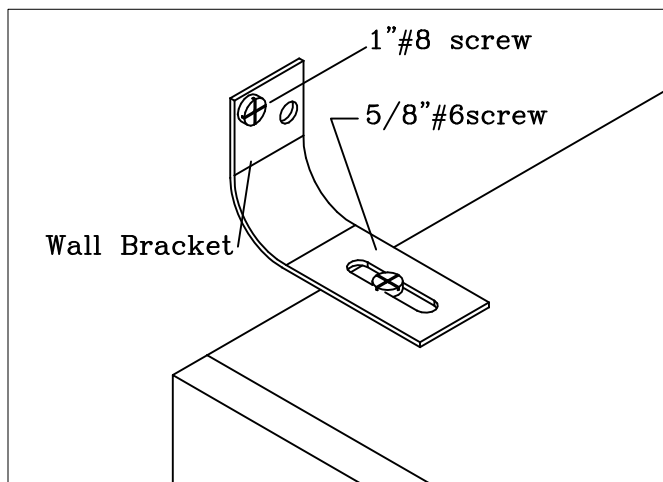
6. Nail interlocking face trim to x-interlocks. see "Diamond Face Trim Detail"



Crown support is to be used only when Crown molding is purchased



7.



Secure rack to wall by attaching wall brackets to top rear of unit. You will have 1 bracket on the left and 1 on the right.

Diamond Bin Assembly Complete. Always remove bottles before moving rack.

Diamond Face Trim Detail

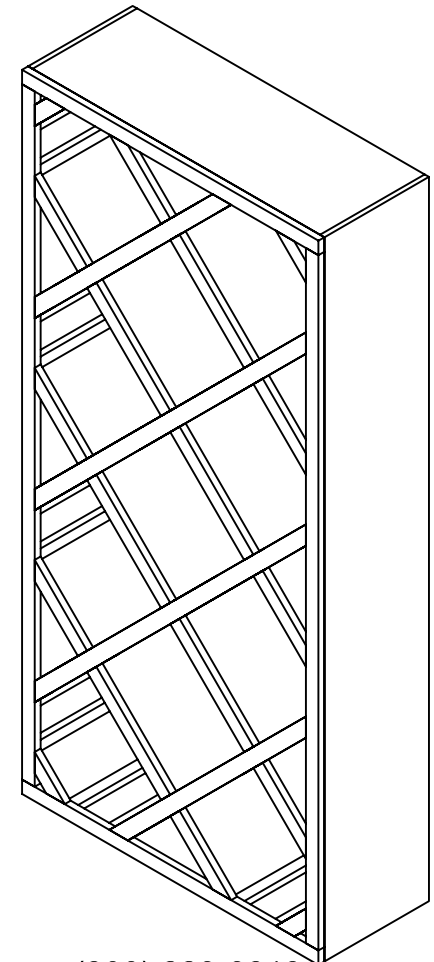
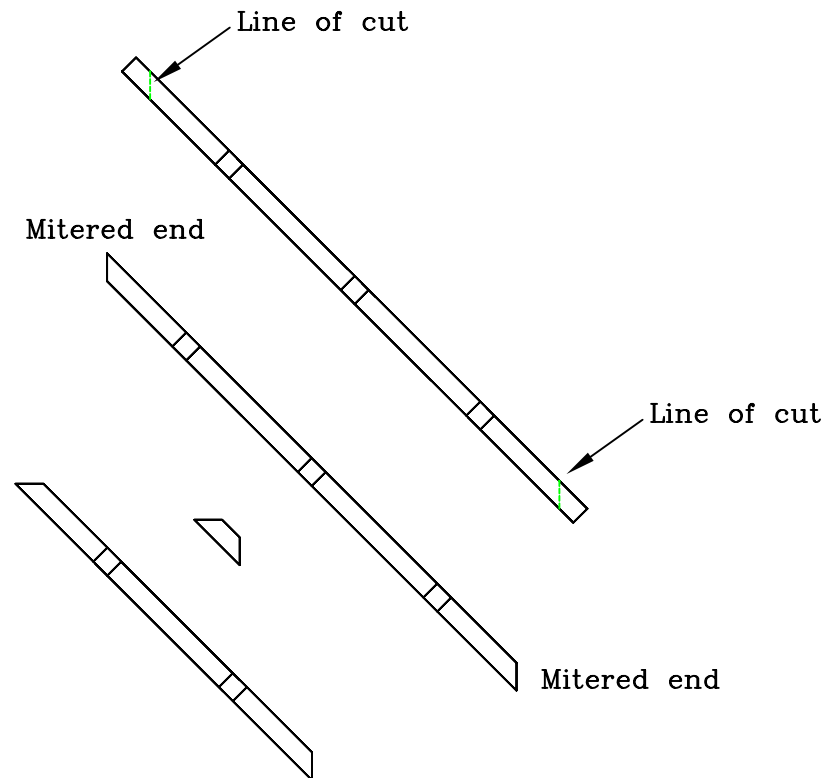
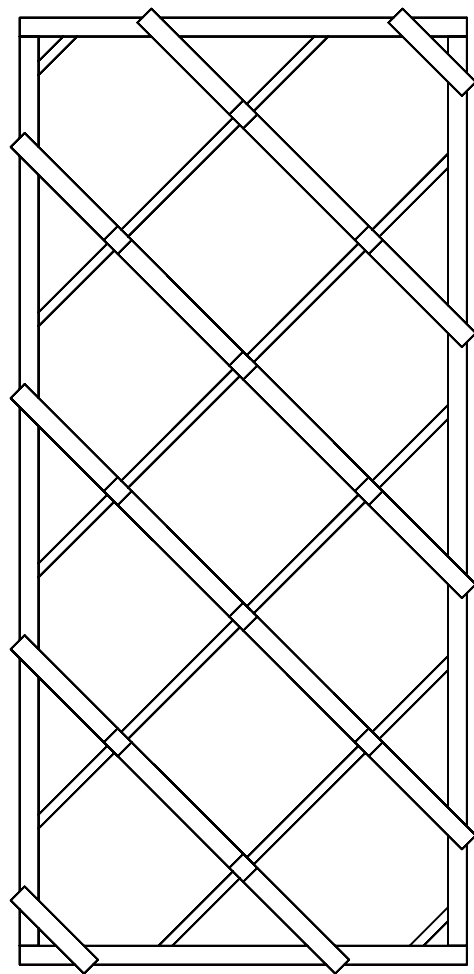
Face trim is applied after the diamond bin is assembled with perimeter trim (top, bottom, sides) attached. Diamond bins can either be standing upright or laying flat on the floor, though the process in most instances would be easier flat on the floor.

There will be 1 piece of face trim for each of the interlock boards. The notches on face trim boards match the dadoes on the interlock boards. Face trim boards are sent approximately 3" long on either end to be cut to fit on site by contractor. This is done to prevent gaps and insure a tight fit.

Step 1: With notches facing up lay 1 face trim piece on half of interlock boards(see below). Notches on face trim should be lined up with dadoes on interlocks. When you are satisfied with alignment, mark the point at which the face trim intersects the perimeter trim.

Step 2: Miter cut ends of face trim at the marked line.

Step 3: Nail cut face trim boards to one half of interlocks, Repeat procedure for remaining interlocks



Note: If you happen to miter face trim incorrectly Wine Cellar Innovations will replace free of charge.

Phone: (800) 229-9813

Fax: (513) 979-5280

www.winecellarinnovations.com