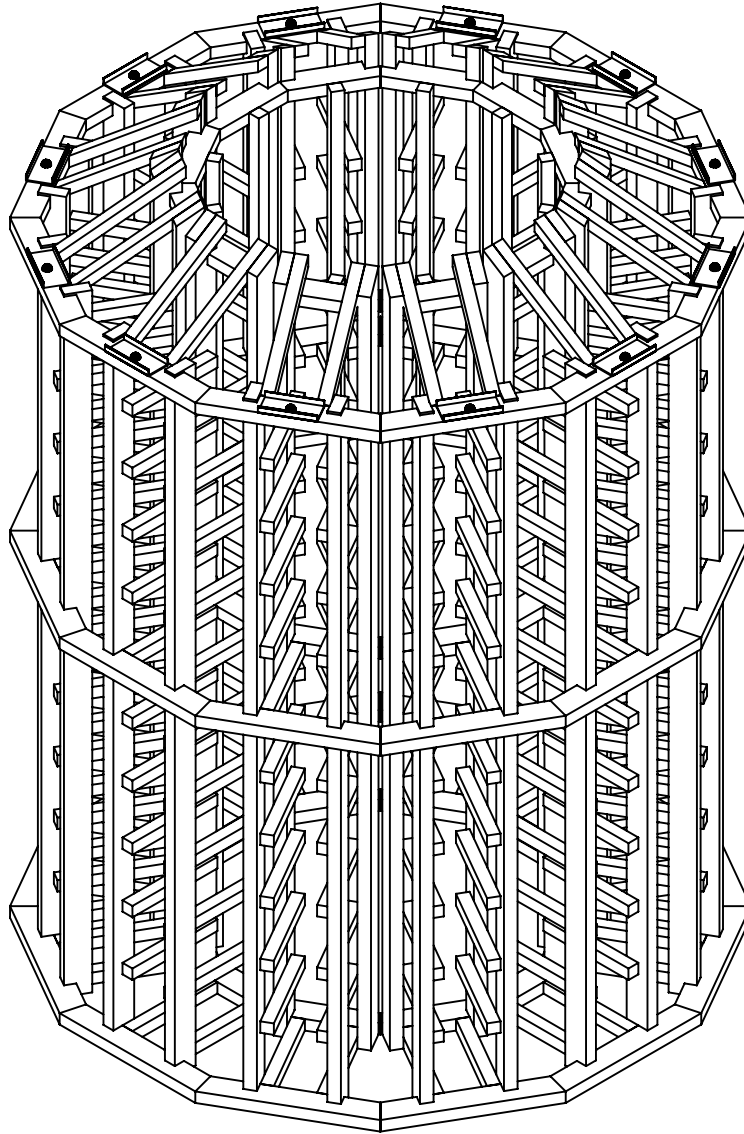


# Commercial Display Racking

Rev. 4/16/10

## Circular Merchandiser



Thank you for your purchase from Wine Cellar Innovations. In the manufacturing and packaging of your products numerous people have reviewed your order for accuracy and attention to detail. We believe this focus is what has made us the worldwide leader in wine storage products.

When assembling the products, please refer to the instructions provided and follow them closely. Always pre-drill pieces any time a screw will be used as a fastener. Redwood is a soft and beautiful wood species, but will split like all other wood types if placed under unusual stresses. The cellar has been engineered with the weight of the bottles factored into the layout, and will be capable of sustaining loads far greater than this when assembled correctly.

If you happen to break a piece during installation we will replace it for free. In such a situation, feel free to contact us Monday through Friday between 8am and 5pm Eastern time.

**Wine Cellar Innovations**  
4575 Eastern Avenue  
Cincinnati, Ohio 45226

Phone: (800) 229-9813  
Fax: (513) 979-5280  
[www.winecellarinnovations.com](http://www.winecellarinnovations.com)

# Circular Merchandiser

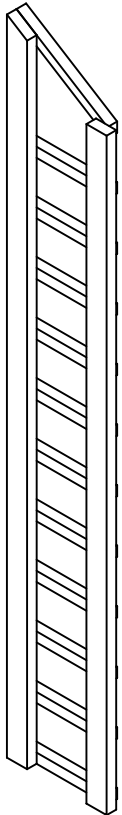
Rev.4/16/10

## Parts List

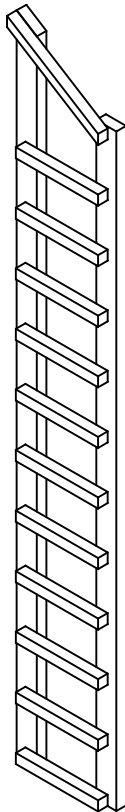
#	Qty.	Description
A	12	Racks- Left
B	12	Racks- Right
C	12	Slats
D	6	Rear Spacer Bars
E	6	Front Spacer Bars
*	26	3/4" #6 Screw
*	12	2" Mending Plates
*	1	Bag of Nails

\*\* Optional pricetrack shown throughout \*\*

A



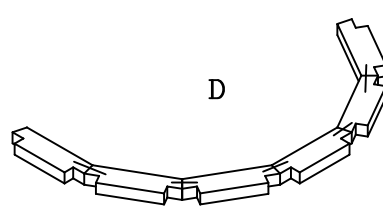
B



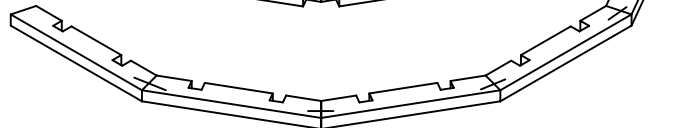
C



D

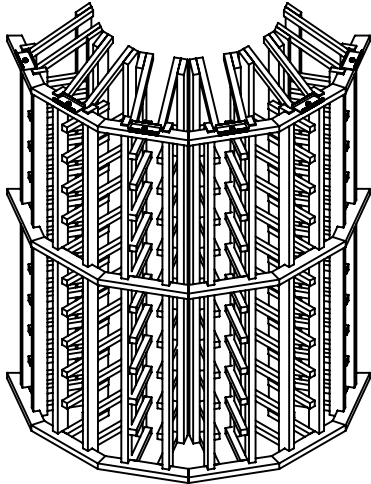


E



1. If display bottle stops were purchased separately, begin with the supplementary instructions that came with them. Otherwise start here.

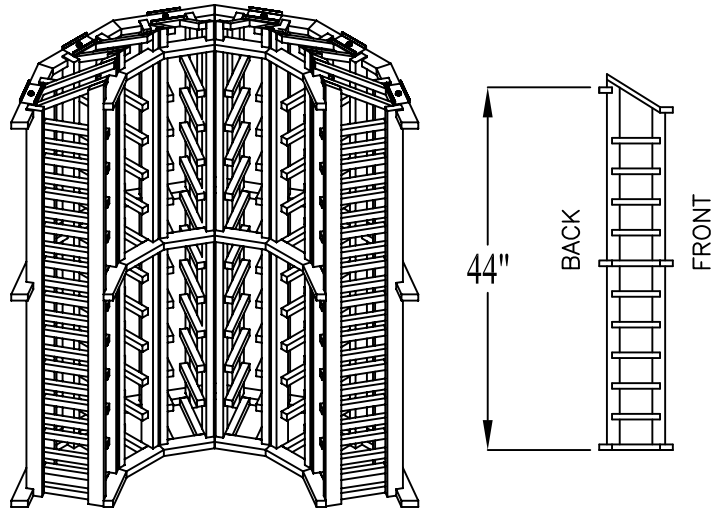
Attach (3) front spacer bars to (6) sets of racks with nails. Nail through each notch on spacer bars into posts with provided nails or with a brad nailer.



2.

Attach (3) rear spacer bars to back of racks with screws or nails. Nail through each notch on spacer bars into racks.

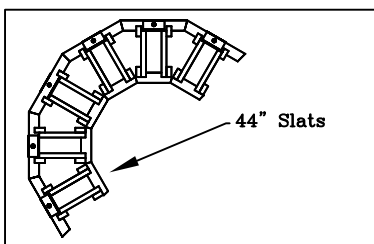
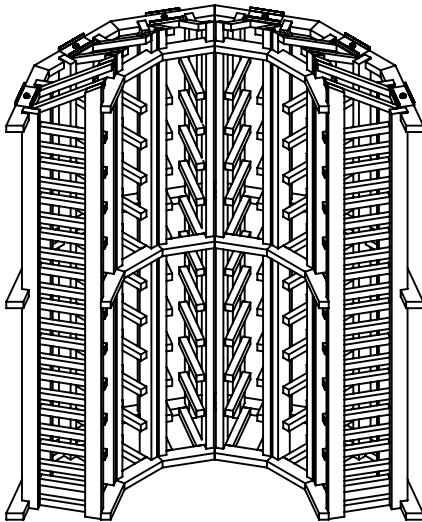
Note: Top rear spacer must be attached 44" height from floor to top of spacer bar.



3.

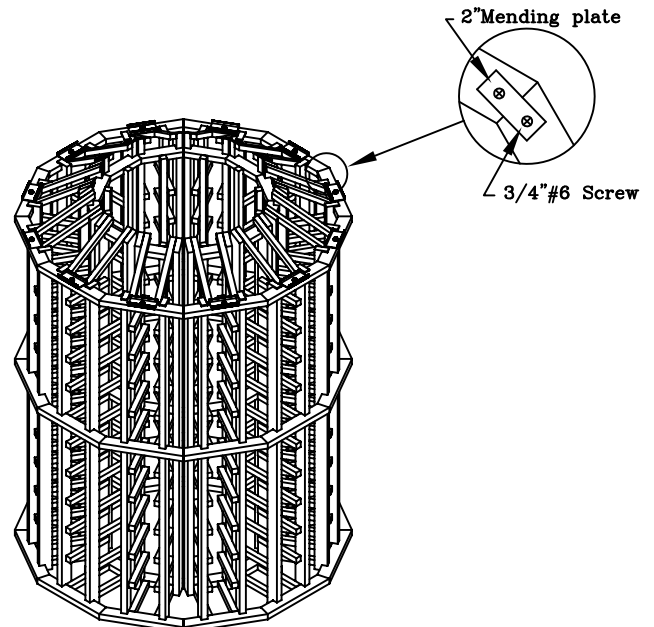
Nail (6) 44" slats (1 per column) to rear spacer bars.

Repeat steps 1-3 for remaining half of rack.



4.

Connect the two halves together with 2" mending plates at each spacer bar.



Circular Merchandiser assembly now complete.

Always remove bottles before moving racks.